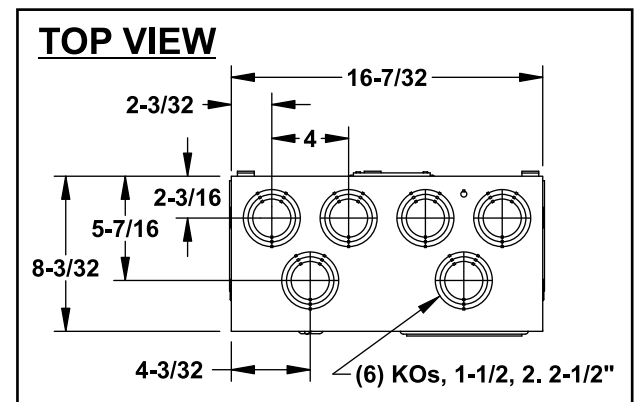
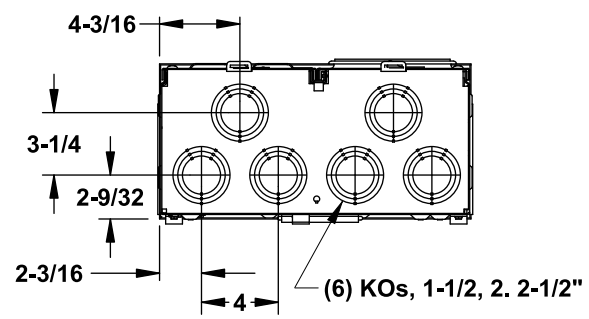
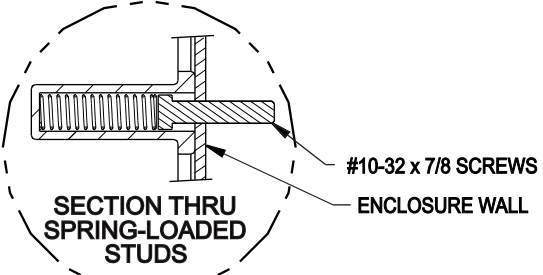
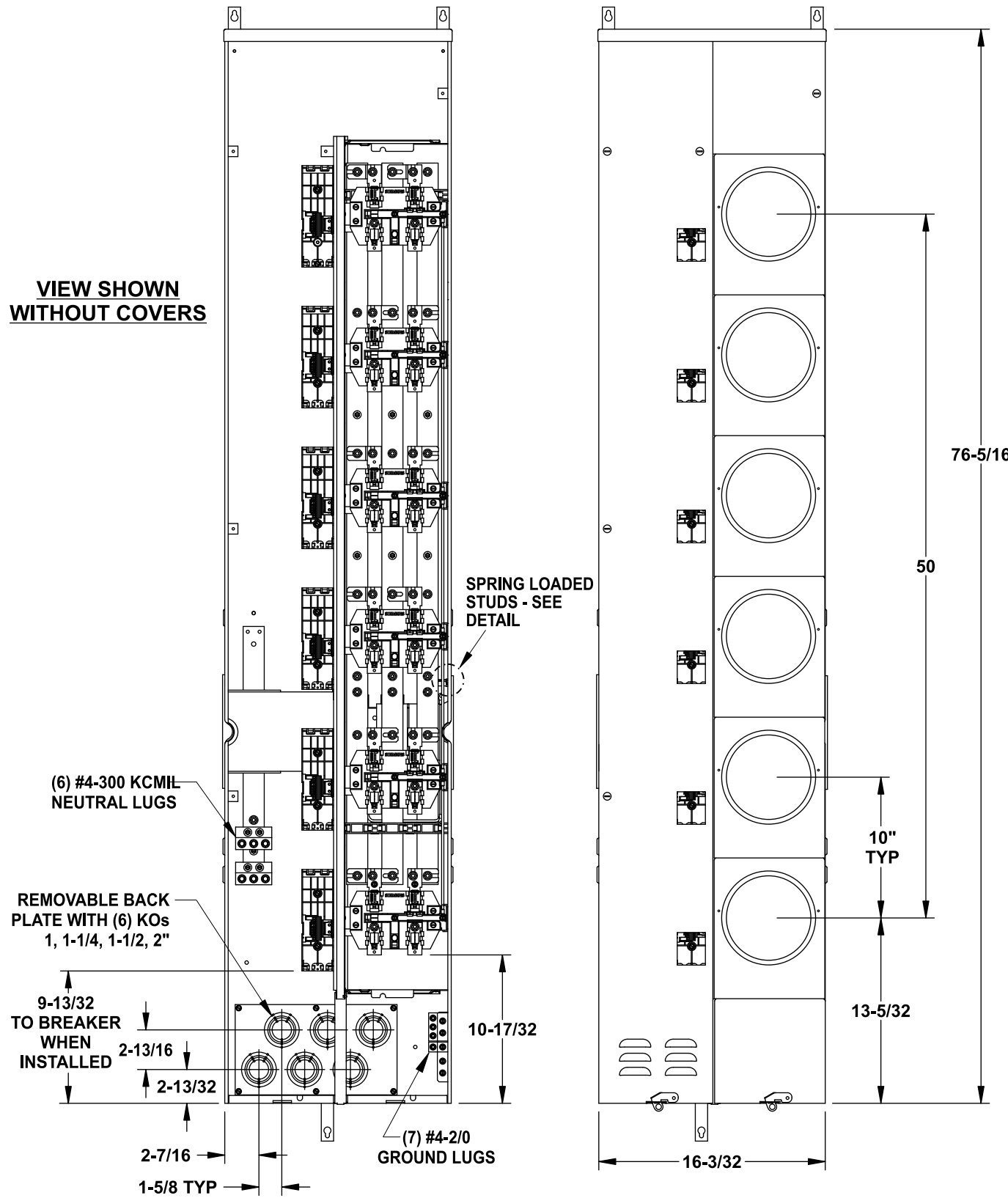


VIEW SHOWN WITHOUT COVERS



Catalog Numbers, Features and Ratings

- MAIN BUS RATING: 1200 AMPS, 240V AC MAX.
- METER SOCKET RATING: 200 AMPS CONTINUOUS
- 100,000 AIC RATING MAX.
- BRANCH RATING: TOP 3 BRANCHES 200A MAX, BOTTOM 3 BRANCHES 225A MAX.
- 3 PHASE INPUT / 1 PHASE OUTPUT
- TYPE 1 INDOOR ENCLOSURE
- MOUNTING RAILS AND ADJUSTABLE BRACKETS FOR SECURE MOUNTING
- 10" METER SOCKET SPACING FOR CONSOLIDATED EDISON

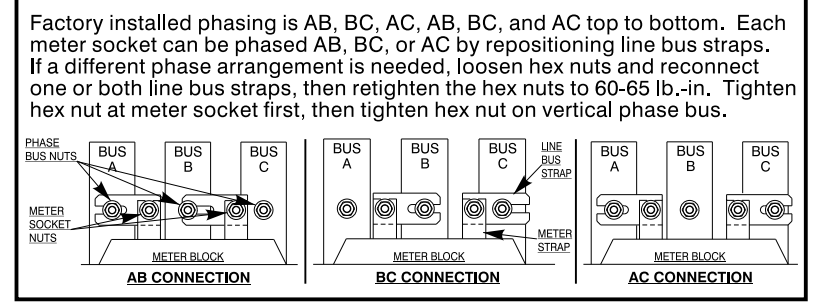
Catalog No.	Main Bus	Meter Positions	Cover Type	5th Jaw, Position
MN62225J	3 Phase	6	Ring	Installed, 9:00

Additional Modules

Module Description	Siemens Series#
Main Breakers	WB, WEB, WXB
Switches	WS, WES
Tap/Terminal Boxes	WTB, WET, WT, PU
Meter Module	(W)MM, (W)ML
Meter Combinations	WC, WCL
Extension Box	WSP, WSPD
Bussed Elbow	BE

Connect Modules Using:	Catalog Number / Torque
QuickConnect	QC4, Torque 400-440 lb-in (35-36 ft.-lb.)

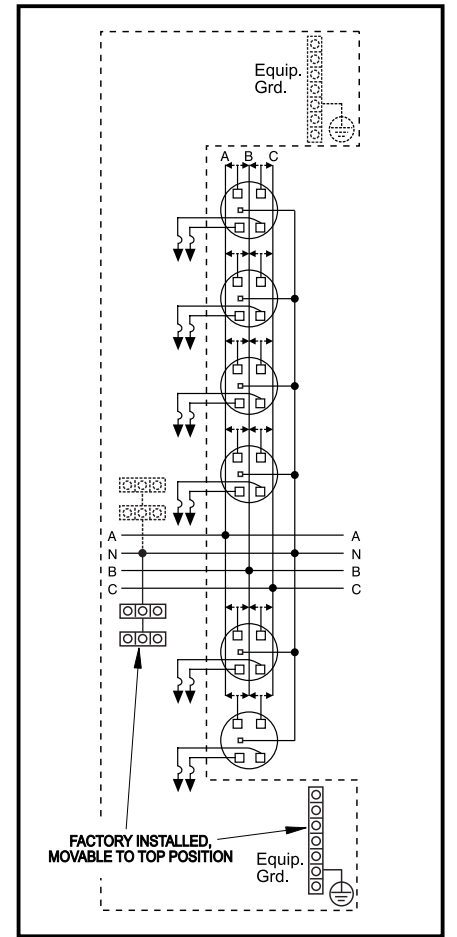
Rephasing Instructions



Accessories

Description	Catalog No.
Horn By-Pass Mod	ECMFH
End Closure Plate	WMEP
5th Jaw Mod	ECMF5
Meter Cover Plate	ECCP3
Meter Socket	ECMFS
225A Breaker Mounting	ECMFBM2
Meter Cover, Ring Type 10"	ECMFMC10
Parts Kit	ECMFPK
Load Cover Screws	ECMFCS
Bottom Pull Cover	ECMFC
Mounting Rail	MMRAIL
Mounting Clip	MMCLIP
Quick Phase Strap	ECMFPS
Breaker Cover Repl.	ECBC
Mounting Tabs (2)	ECMFTAB
Ground Bar Kit	ECMFGN125
Neutral Bar Kit 225A	ECMFN225
Back Rail/Clip	ECMFWLCLIP
Wall Mounting Rail (60")	MMZR60
QP Breaker Retainer	ECMBR2
KO Plate with Knockouts	ECMMKOP
KO Plate w/o Knockouts	ECMMNKOP

Schematic



© 2013 Copyright Siemens Industry, Inc.

SIEMENS
Siemens Industry, Inc.

PowerMod™ Meter Stack

Catalog Numbers: **3in-1out Residential Socket, Indoor 6 Pos, 225A, 5th Jaw, Ring Type w/10" Centers**

Size B Dwg. No. **MN62225J**