

Catalog Numbers, Features and Ratings

WTB1400PU	1-PHASE
WTB3400PU	3-PHASE

- MODULE RATING: 400 AMPS MAX, 240V AC MAX.
- 100,000 AIC RATING MAX.
- ADDED MOUNTING RAILS AND BRACKETS FOR SECURE MOUNTING
- FOR UNDERGROUND SERVICE ONLY
- EUSERC COMPLIANT CONSTRUCTION
- EUSERC DRAWING *315

Replacement Parts, Accessories, and Additional Modules

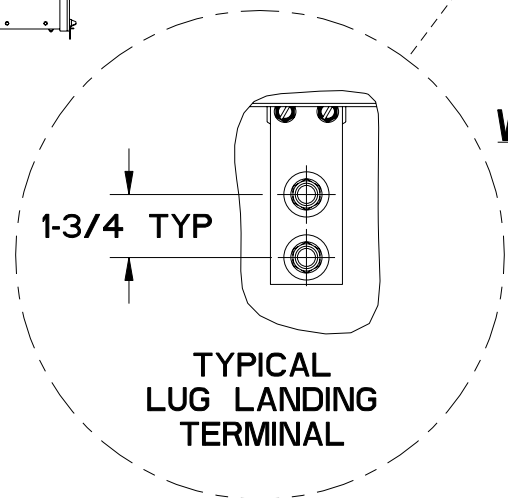
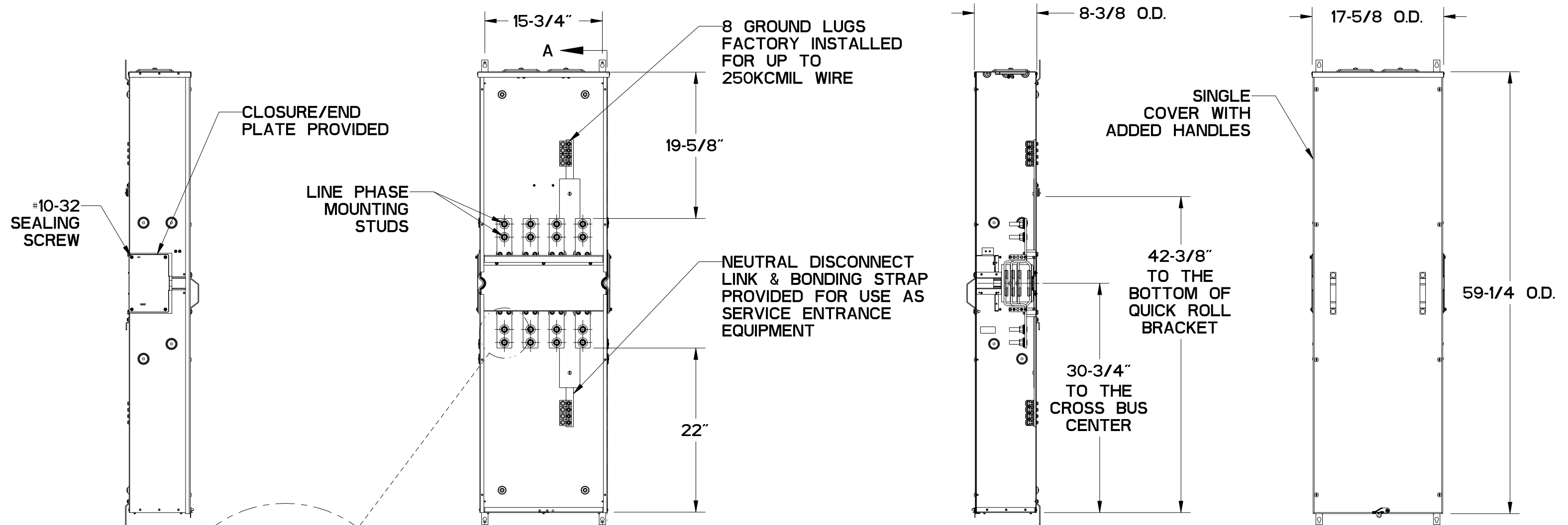
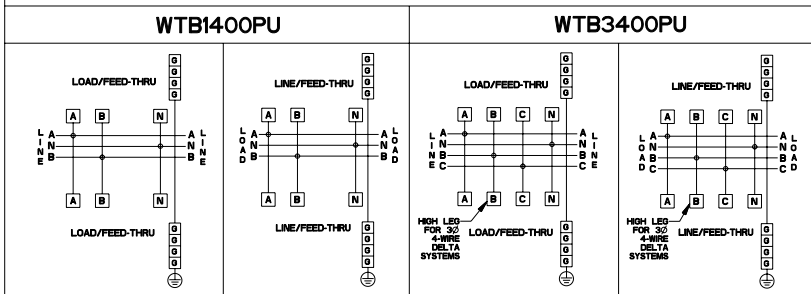
FOR USE WITH:		
Module Description	Siemens Series No.	Murray Series No.
Main Breakers	WJMC, WB, WEB	DB W
Switches	WMP, WMS, WS, WES	DPT W, DT W
Tap/Terminal Boxes	WMTB, WTB, WET	DTB W
Pull Boxes	WMMB, WPB, WAPB	DPB W
Meter Modules	WMM, WxMM, WMT, WML, WMK	DG.W, DC.W, DL.W
Extension Box	WMEX	DS
Bussed Elbow	BE	DL

Siemens Accessories	Catalog Number	Req'd Torque
Single Bolt Joint (1ph)	QC1 or SBJ1	400-480 LB-IN [35-40 FT-LBS]
Single Bolt Joint (3ph)	QC4 or SBJ4	
GND Bar Kit	ECLX069M	N/A
Hub Cover Plate	ECHV000	N/A

Lugs for Phase and Neutral Connections (not supplied)					
NEMA Lug ^①	MFG	Wire Range	Type	No. Wires per phase	Torque (lb-in.)
LK12500N2	SIEMENS	#1/0-500 KCMIL	MECHANICAL	3	375
LK32500N2	SIEMENS	#1/0-500 KCMIL	MECHANICAL	4	
LK11750N2	SIEMENS	300-750 KCMIL	MECHANICAL	3	500
LK31750N2	SIEMENS	300-750 KCMIL	MECHANICAL	4	
2ACL-500	ILSCO	500 KCMIL	COMPRESSION	2	N/A ^②
2ACL-750	ILSCO	750 KCMIL	COMPRESSION	1	

^① Order one mechanical lug kit for mains and neutral. Contact Lug manufacturer for compression lug quantities supplied for each kit.
^② See lug manufacturer's instruction sheet supplied with the connector for tool, die and number of crimps.

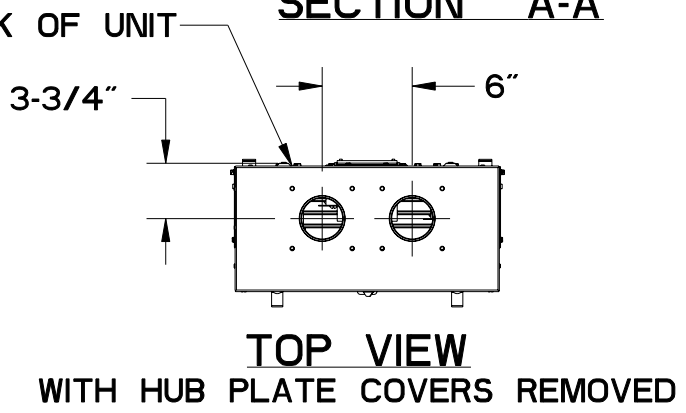
400A PULL-THRU TAP BOX SCHEMATICS



WTB3400 (3-PHASE) SHOWN VIEW SHOWN WITHOUT COVER

SECTION A-A

FRONT VIEW SHOWN WITH COVER



Siemens Industry, Inc.
 Building Technologies Division

PowerMod™ Tap Boxes
WT1400PU & WT3400PU
 STD SERVICE ENTRANCE PULL-THRU TAP BOX

SIZE B	400A P-THRU TAP-BXS		
DWN: JKH	DATE: 09/16/13	DO NOT SCALE DRAWING	SHEET 1 OF 1