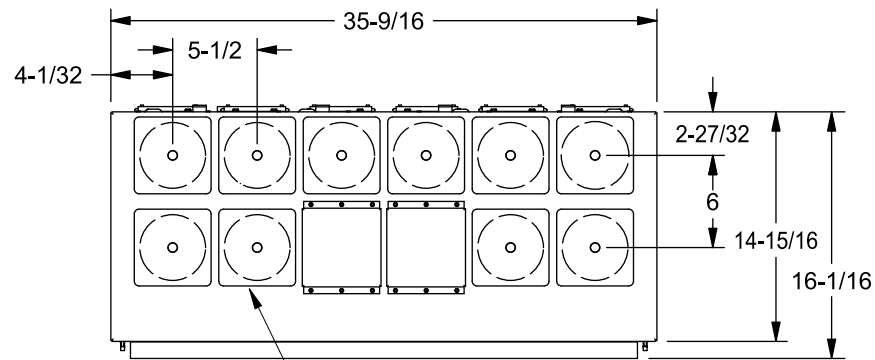


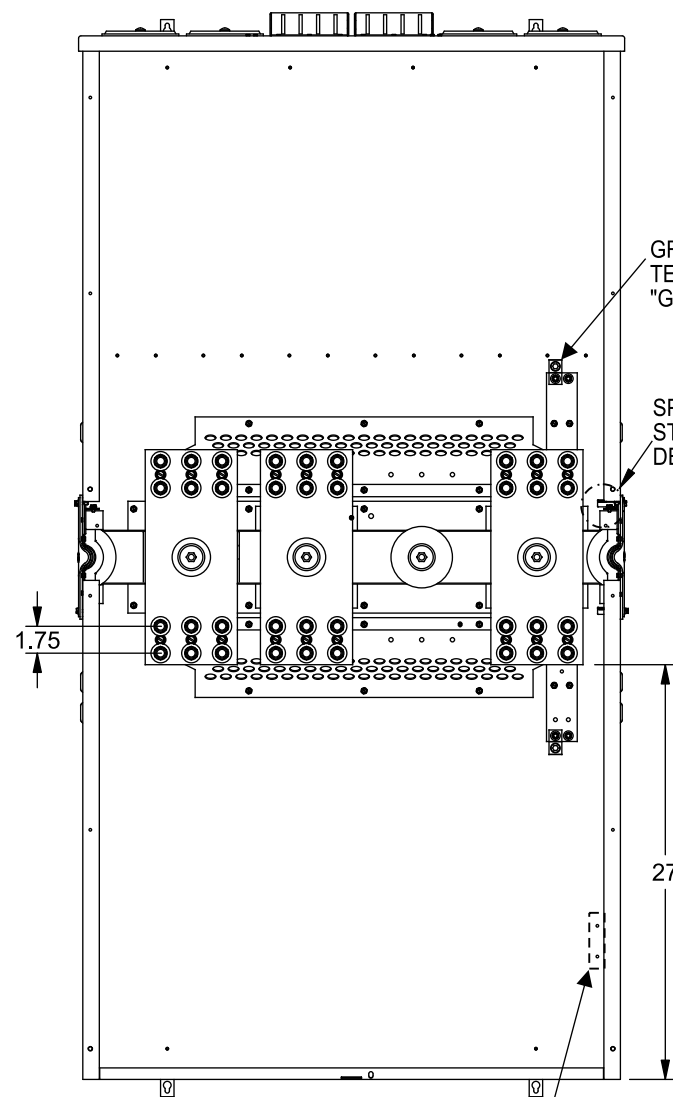
## Features and Ratings

- MODULE RATING: 2000 AMPS, 240V AC MAX.
- MAIN VERTICAL BUS RATING: 2000 AMPS, 240V AC MAX.
- MAIN HORIZONTAL BUS RATING: 1200 AMPS, 240V AC MAX. (1200A MAX PER SIDE)
- 100,000 AIC RATING MAX, SEE DIAGRAM FOR DETAILS
- 1 PHASE
- TYPE 3R OUTDOOR ENCLOSURE
- FOR OVERHEAD OR UNDERGROUND SERVICE
- MOUNTING RAILS AND ADJUSTABLE BRACKETS FOR SECURE MOUNTING

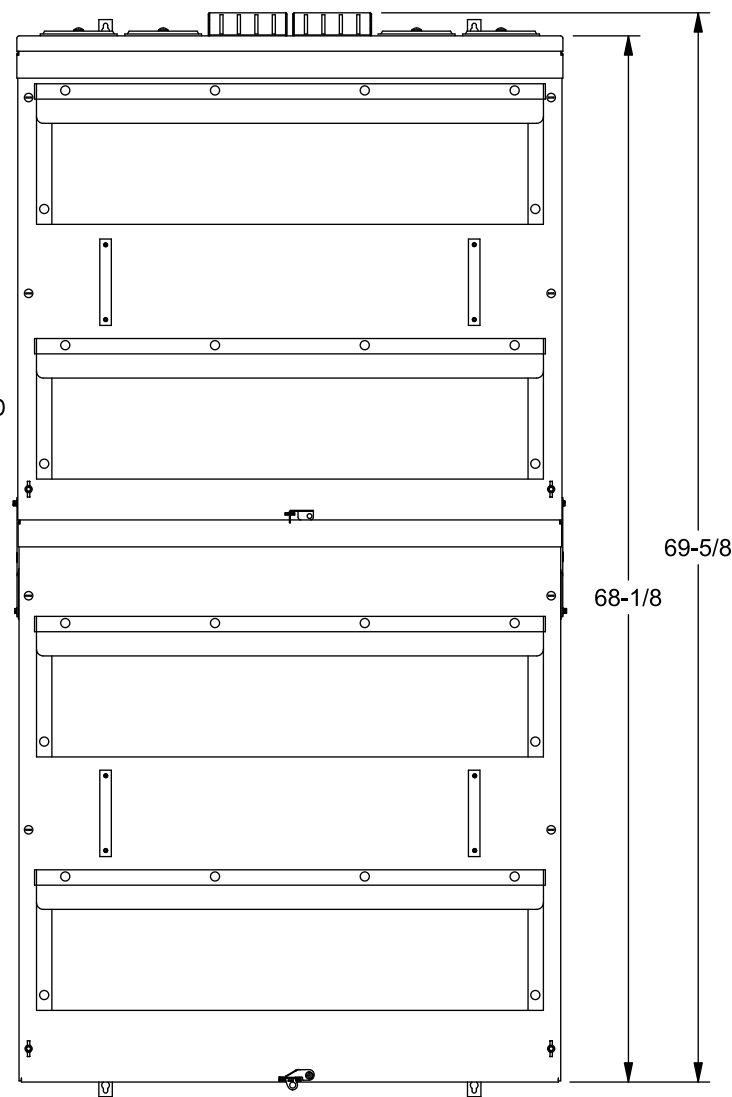


HD HUB PROVISIONS (10)  
COVER PLATES INCLUDED

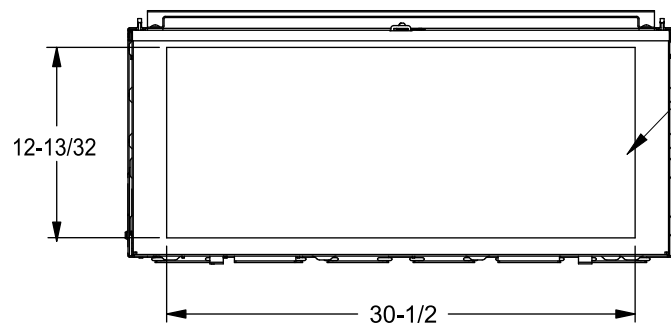
**VIEW SHOWN  
WITHOUT COVERS**



INSTALL LOCATION  
FOR ECLX072M



REMOVABLE  
BOTTOM ENDWALL



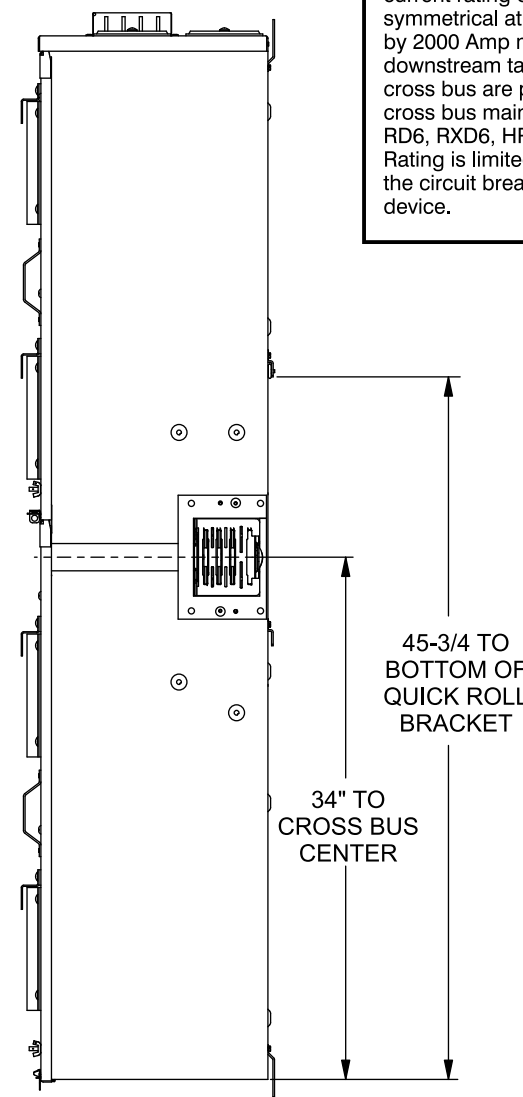
## Lug Kits and Replacement Parts

Lugs for Phase and Neutral Connections (not supplied)					
Lug No.	① MFG	Wire Range	Type	No. Wires per phase	Torque (lb.-in.)
LK16750N2	Siemens	300-750 kcmil	Mechanical	6	500
2ACL-750	ILSCO	750 kcmil	Compression	6	NA ②

- ① Order one mechanical lug kit for mains and neutral. Additional lug kit is required for feed-thru terminals. Contact lug manufacturer for compression lug quantities supplied for each kit.  
② See lug manufacturer's instruction sheet supplied with the connector for tool, die, and number of crimps.

### Short Circuit Current Rating

This device has a maximum short circuit current rating of 100,000 Amps RMS symmetrical at 240 Volts AC when protected by 2000 Amp maximum Class L fuses and all downstream tap boxes connected to the cross bus are protected by a WXB series cross bus main device; or a Siemens type RD6, RXD6, HRD6 or HRXD6 circuit breaker. Rating is limited to the interrupting capacity of the circuit breaker installed ahead of this device.



## Additional Modules

FOR USE WITH: Module Description	Siemens Series#
Main Breakers	WB, WXB
Switches	WMP, WS
Tap/Terminal Boxes	WTB, WTBN
Meter Module	(W)MM, (W)MT, (W)ML, (W)MK, WMN
Meter Combinations	WC, WCL, WCT
Extension Box/Surge	WSP, WSPD
Bussed Elbow	BE

## Accessories

Ground Terminal G  
(Accessory Cat.# ECMLK3225):  
Wire size #4-300 kcmil. Torque terminal to 250 lb.-in.

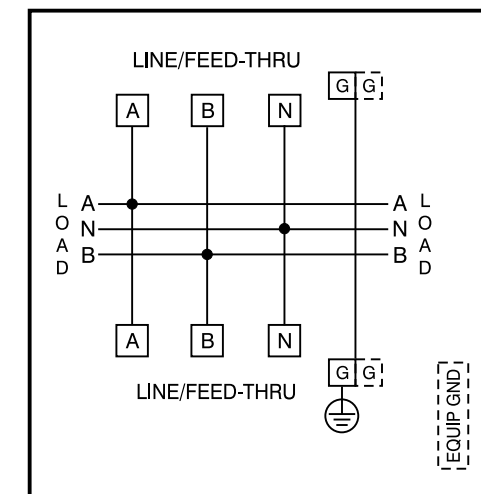
Connect Modules Using:	Catalog Number / Torque
QuickConnect	QC1, Torque 400-440 lb-in (35-36 ft.-lb.)

### Equip Ground Acc'y Cat. No. ECLX072M

Small Terminals	Large Terminals
Wire Range / Torque	Wire Range / Torque
10-14 AWG 20 lb-in	10-14 AWG 35 lb-in
8 AWG . . . . 25 lb-in	8 AWG . . . . 40 lb-in
6 AWG . . . . 35 lb-in	1/0-6 AWG . 45 lb-in

Siemens Accessories	Catalog Number
Hub Cover Plate	EC56933S
Type HD Hub 2"	EC56854
Type HD Hub 2-1/2"	EC56855
Type HD Hub 3"	EC56856
Type HD Hub 3-1/2"	EC56857
Type HD Hub 4"	EC56858

## Schematic



© 2013 Copyright Siemens Industry, Inc.

**SIEMENS**  
Siemens Industry, Inc.

**PowerMod™ Tap Box**

Catalog Numbers: **1 Phase, 2000 Amp  
Feed-Thru Service Entrance Tap Box**

Size B Dwg. No. **WT12000PU**

Dwn KAM Date 9/26/13 DO NOT SCALE DRAWING SHEET 1 OF 1

**Catalog No. WT12000PU**