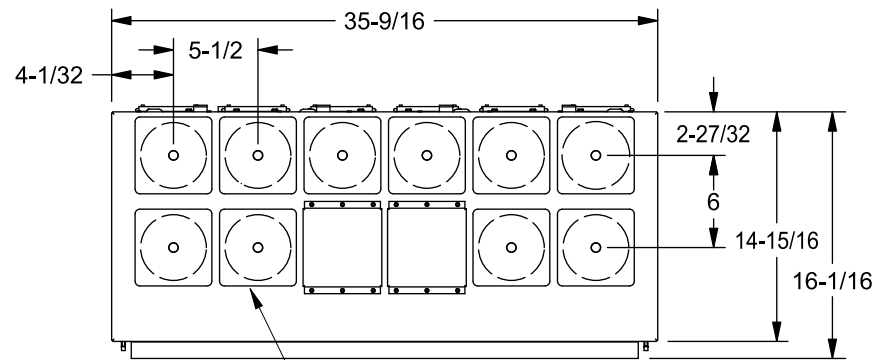


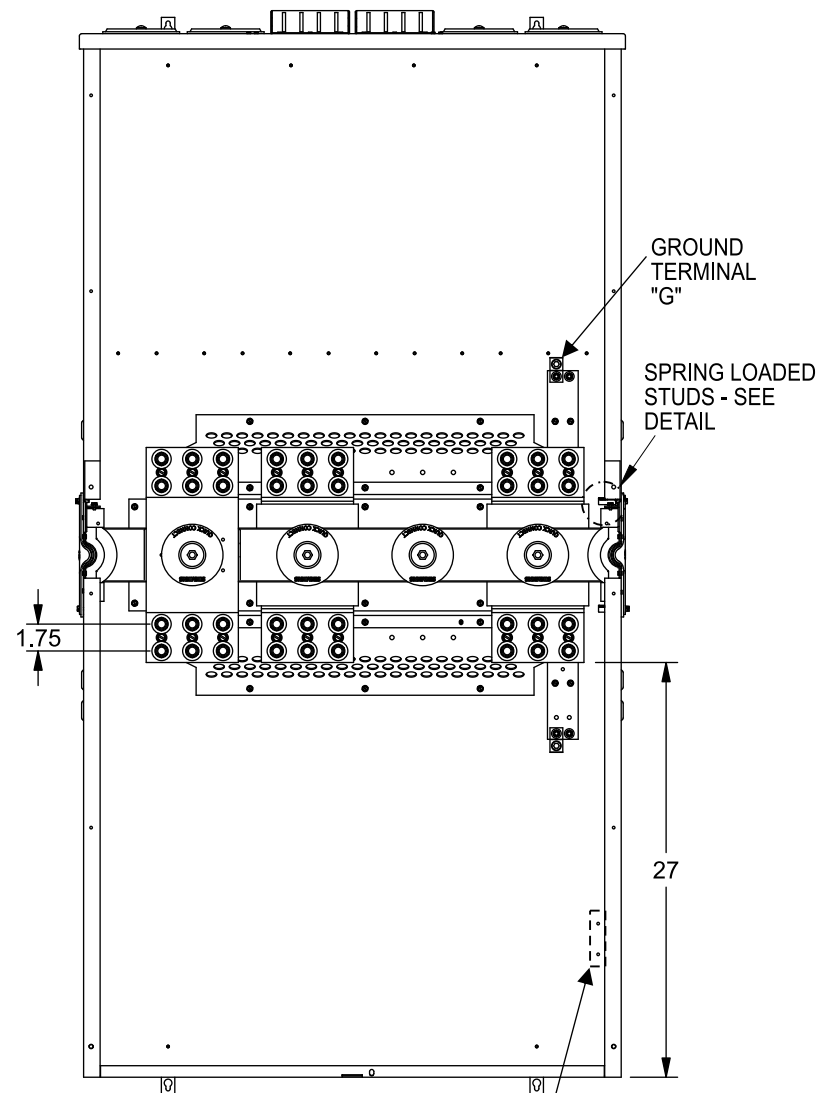
## Features and Ratings

- MODULE RATING: 1600 AMPS, 240V AC MAX.
- MAIN VERTICAL BUS RATING: 1600 AMPS, 240V AC MAX.
- MAIN HORIZONTAL BUS RATING: 1200 AMPS, 240V AC MAX. (1200A MAX PER SIDE)
- 100,000 AIC RATING MAX, SEE DIAGRAM FOR DETAILS
- 1 PHASE
- TYPE 3R OUTDOOR ENCLOSURE
- FOR OVERHEAD OR UNDERGROUND SERVICE
- MOUNTING RAILS AND ADJUSTABLE BRACKETS FOR SECURE MOUNTING

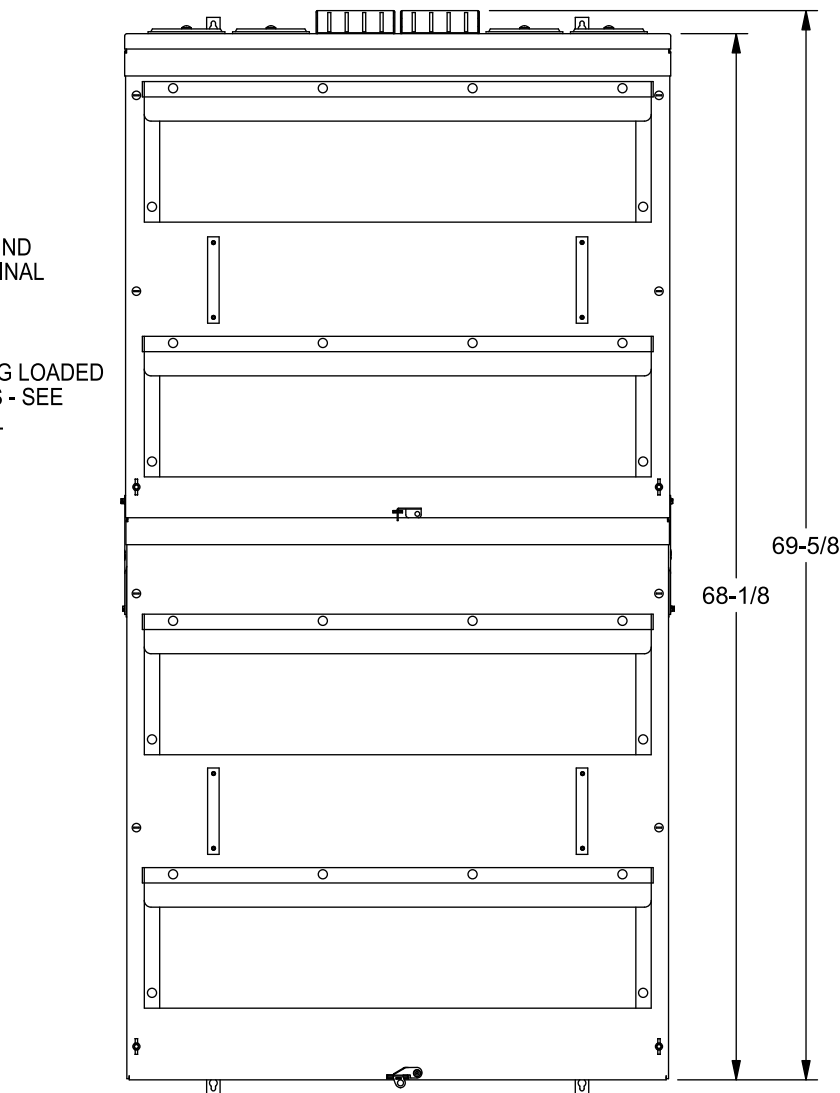
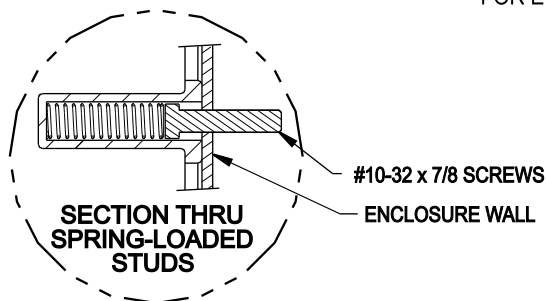


HD HUB PROVISIONS (10)  
COVER PLATES INCLUDED

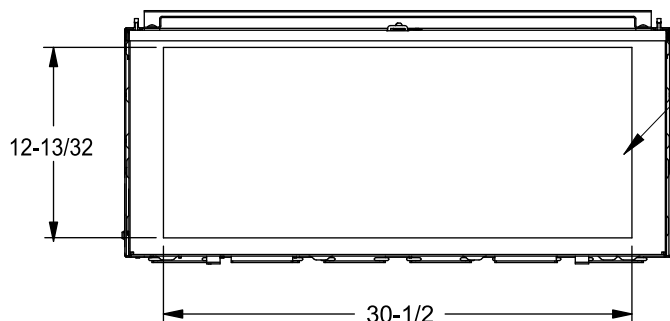
**VIEW SHOWN  
WITHOUT COVERS**



INSTALL LOCATION  
FOR ECLX072M



REMOVABLE  
BOTTOM ENDWALL



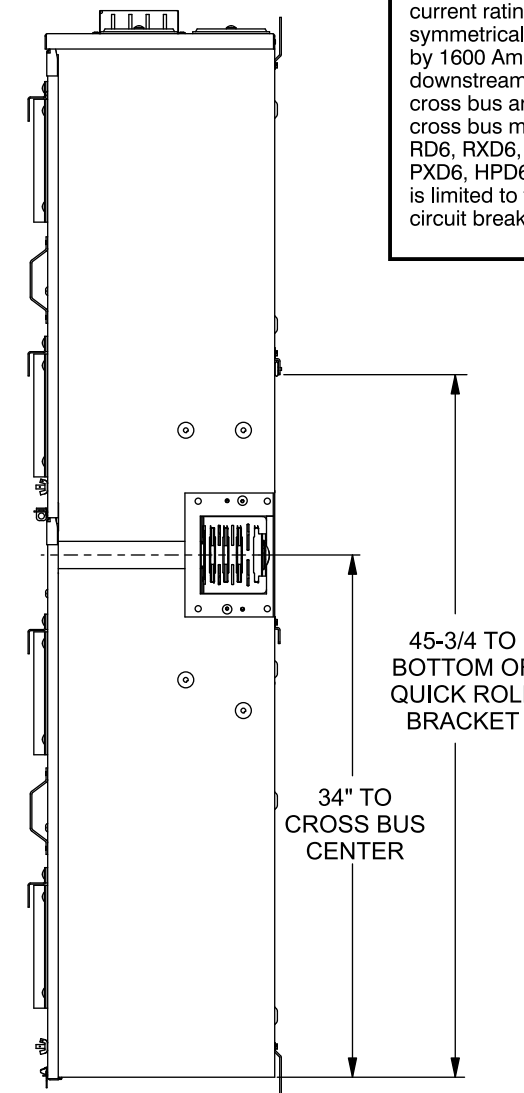
## Lug Kits and Replacement Parts

Lugs for Phase and Neutral Connections (not supplied)						
Lug No.	①	MFG	Wire Range	Type	No. Wires per phase	Torque (lb.-in.)
LK15750N2		Siemens	300-750 kcmil	Mechanical	1	500 ②
					4	500 ②
LK15600N2		Siemens	1/0-600 kcmil	Mechanical	4	500 ②
					1	500 ②
2ACL-600		ILSCO	600 kcmil	Compression	5	NA ③
2ACL-750		ILSCO	750 kcmil	Compression	5	NA ③

- ① Order one mechanical lug kit for mains and neutral. Additional lug kit is required for feed-thru terminals. Contact lug manufacturer for compression lug quantities supplied for each kit.
- ② Kit contains more than one lug type. Reference kit instruction sheet for the actual torque value for each lug type.
- ③ See lug manufacturer's instruction sheet supplied with the connector for tool, die, and number of crimps.

## Short Circuit Current Rating

This device has a maximum short circuit current rating of 100,000 Amps RMS symmetrical at 240 Volts AC when protected by 1600 Amp maximum Class L fuses and all downstream tap boxes connected to the cross bus are protected by a WXB series cross bus main device; or a Siemens type RD6, RXD6, HRD6, HRXD6, NPG, HPG, PD6, PXD6, HPD6 or HPXD6 circuit breaker. Rating is limited to the interrupting capacity of the circuit breaker installed ahead of this device.



## Additional Modules

FOR USE WITH: Module Description	Siemens Series#
Main Breakers	WB, WXB
Switches	WMP, WS
Tap/Terminal Boxes	WTB, WTBN
Meter Module	(W)MM, (W)MT, (W)ML, (W)MK, WMN
Meter Combinations	WC, WCL, WCT
Extension Box/Surge	WSP, WSPD
Bussed Elbow	BE

## Accessories

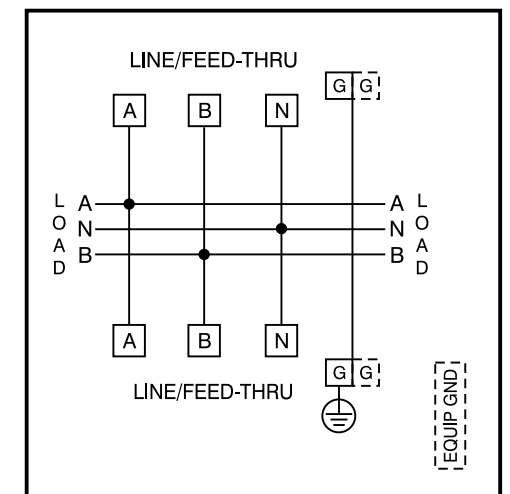
Ground Terminal G  
(Accessory Cat.# ECMLK3225):  
Wire size #4-300 kcmil. Torque terminal to 250 lb.-in.

Connect Modules Using:	Catalog Number / Torque
QuickConnect	QC1, Torque 400-440 lb-in (35-36 ft.-lb.)

Equip Ground Acc'y	Cat. No. ECLX072M
<b>Small Terminals</b>	<b>Large Terminals</b>
Wire Range / Torque	Wire Range / Torque
10-14 AWG 20 lb-in	10-14 AWG 35 lb-in
8 AWG . . . . 25 lb-in	8 AWG . . . . 40 lb-in
6 AWG . . . . 35 lb-in	1/0-6 AWG . 45 lb-in

Siemens Accessories	Catalog Number
Hub Cover Plate	EC56933S
Type HD Hub 2"	EC56854
Type HD Hub 2-1/2"	EC56855
Type HD Hub 3"	EC56856
Type HD Hub 3-1/2"	EC56857
Type HD Hub 4"	EC56858

## Schematic



© 2013 Copyright Siemens Industry, Inc.

**SIEMENS**  
Siemens Industry, Inc.

**PowerMod™ Tap Box**

Catalog Numbers: **1 Phase, 1600 Amp  
Feed-Thru Service Entrance Tap Box**

Size B Dwg. No. **WT11600PU**

Dwn KAM Date 9/26/13 DO NOT SCALE DRAWING SHEET 1 OF 1

**Catalog No. WT11600PU**