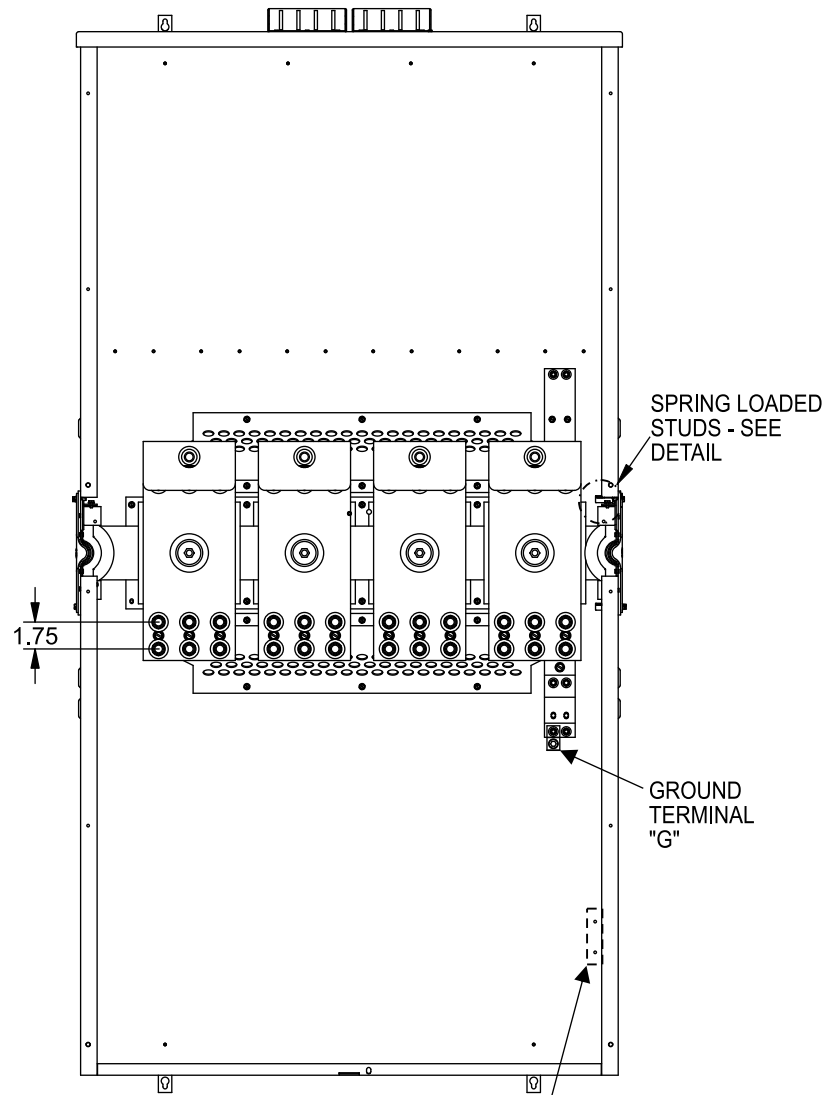


## Features and Ratings

- MODULE RATING: 2000 AMPS, 240V AC MAX.
- MAIN BUS RATING: 1200 AMPS, 240V AC MAX. (1200A MAX PER SIDE)
- 100,000 AIC RATING MAX, SEE DIAGRAM FOR DETAILS
- 3 PHASE
- TYPE 3R OUTDOOR ENCLOSURE
- FOR UNDERGROUND SERVICE ONLY
- MOUNTING RAILS AND ADJUSTABLE BRACKETS
- FOR SECURE MOUNTING

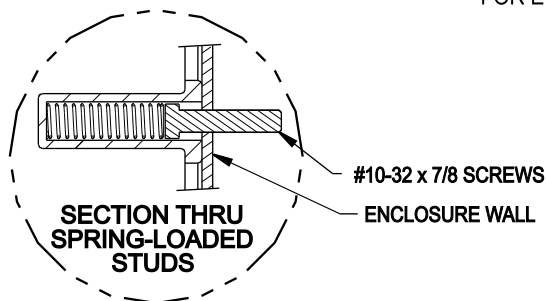
### VIEW SHOWN WITHOUT COVERS



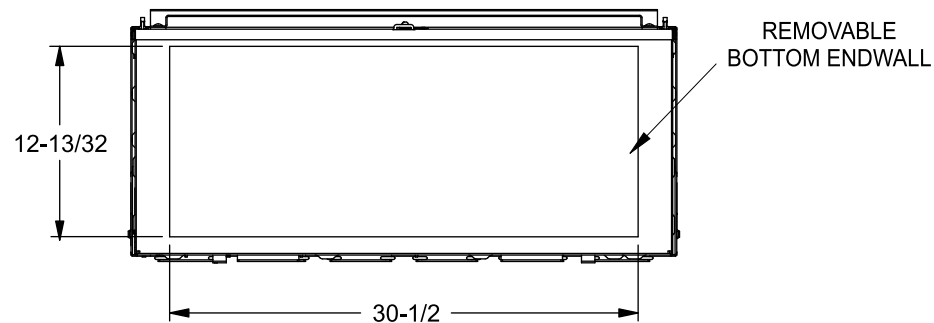
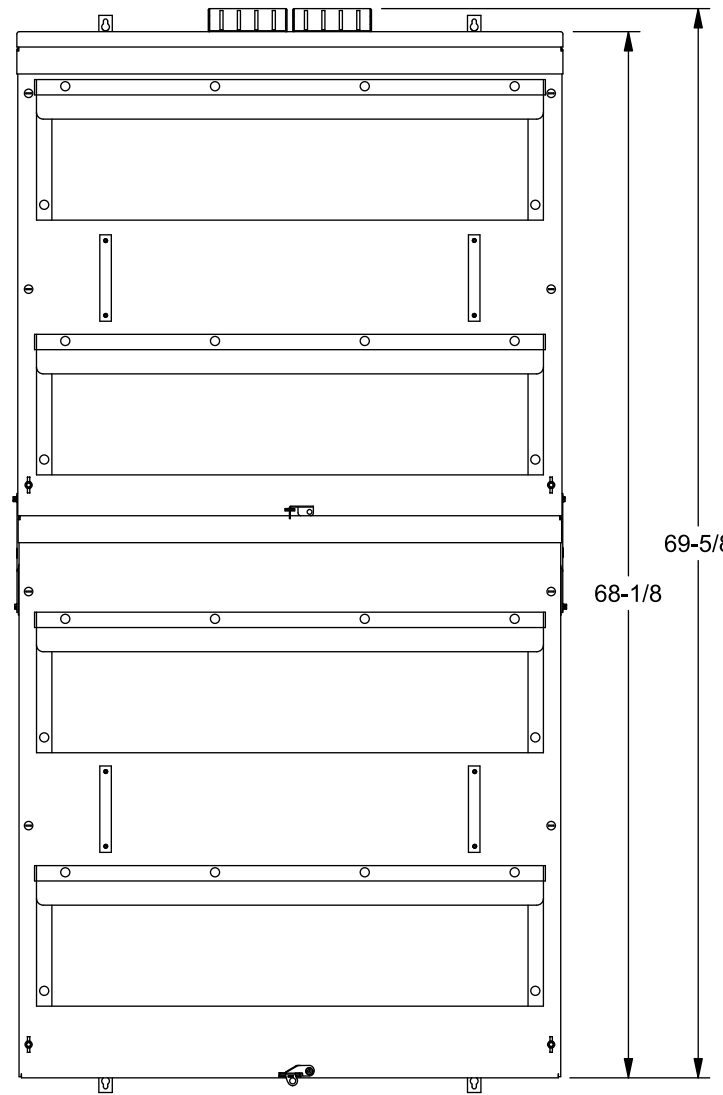
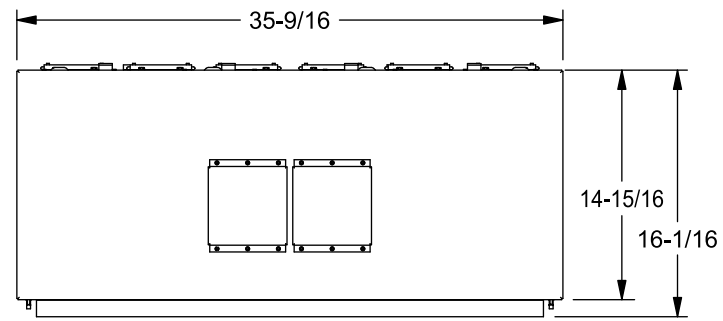
SPRING LOADED STUDS - SEE DETAIL

GROUND TERMINAL "G"

INSTALL LOCATION FOR ECLX072M



#10-32 x 7/8 SCREWS  
ENCLOSURE WALL



## Lug Kits and Replacement Parts

Lugs for Phase and Neutral Connections (not supplied)					
Lug No.	MFG	Wire Range	Type	No. Wires per phase	Torque (lb.-in.)
LK36750N2	Siemens	300-750 kcmil	Mechanical	6	500
2ACL-750	ILSCO	750 kcmil	Compression	6	NA ②

- ① Order one mechanical lug kit for mains and neutral. Contact lug manufacturer for compression lug quantities supplied for each kit.  
② See lug manufacturer's instruction sheet supplied with the connector for tool, die, and number of crimps.

Suitable for Use as Service Equipment when not more than six main disconnecting means are provided and bonding strap is installed. When not used as Service Equipment this device must be protected by 2000 Amp maximum Class L fuses or by a Siemens type RD6, RXD6, HRD6 or HRXD6 circuit breaker and neutral should not be bonded.

### Short Circuit Current Rating

This device has a maximum short circuit current rating of 100,000 Amps RMS symmetrical at 240 Volts AC when used as Service Equipment or protected by 2000 Amp maximum Class L fuses and all downstream tap boxes connected to the cross bus are protected by a WXB series cross bus main device; or when protected by a Siemens type RD6, RXD6, HRD6 or HRXD6 circuit breaker. Rating is limited to the interrupting capacity of the circuit breaker installed ahead of this device.

45-3/4 TO BOTTOM OF QUICK ROLL BRACKET  
34" TO CROSS BUS CENTER

## Additional Modules

FOR USE WITH: Module Description	Siemens Series#
Main Breakers	WB, WEB, WXB
Switches	WMP, WS, WES
Tap/Terminal Boxes	WTB, WET, WTBN
Meter Module	(W)MM, (W)MT, (W)ML, (W)MK, WMN
Meter Combinations	WC, WCL, WCT
Extension Box/Surge	WSP, WSPD
Bussed Elbow	BE

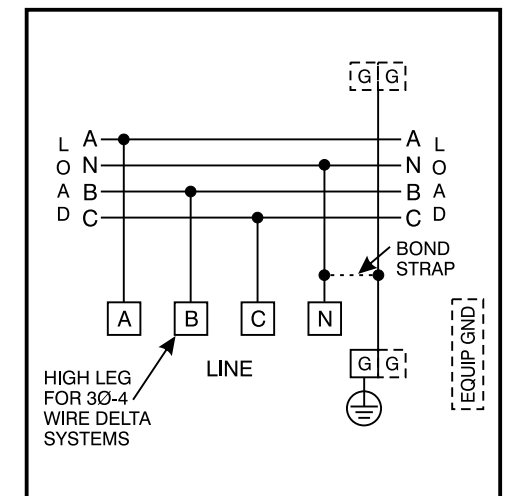
## Accessories

Ground Terminal G  
(Accessory Cat.# ECMLK3225):  
Wire size #4-300 kcmil. Torque terminal to 250 lb.-in.

Connect Modules Using:	Catalog Number / Torque
QuickConnect	QC4, Torque 400-440 lb-in (35-36 ft.-lb.)

Equip Ground Acc'y Cat. No. ECLX072M	
Small Terminals	Large Terminals
Wire Range / Torque	Wire Range / Torque
10-14 AWG 20 lb-in	10-14 AWG 35 lb-in
8 AWG . . . . 25 lb-in	8 AWG . . . . 40 lb-in
6 AWG . . . . 35 lb-in	1/0-6 AWG . 45 lb-in

## Schematic



© 2013 Copyright Siemens Industry, Inc.

**SIEMENS**  
Siemens Industry, Inc.

**PowerMod™ Tap Box**

Catalog Numbers: **3 Phase, 2000 Amp Bottom Feed Entrance Tap Box**

Size B Dwg. No. **WTB32000BU**

Dwn KAM Date 9/26/13 DO NOT SCALE DRAWING SHEET 1 OF 1

**Catalog No. WTB32000BU**