

Catalog Numbers, Features and Ratings

WTB1400CU	1-PHASE
WTB3400CU	3-PHASE

- MODULE RATING: 400 AMPS MAX, 240V AC MAX.
- 100,000 AIC RATING MAX.
- ADDED MOUNTING RAILS AND BRACKETS FOR SECURE MOUNTING
- FOR OVERHEAD OR UNDERGROUND SERVICE
- TYPE 3R OUTDOOR ENCLOSURE

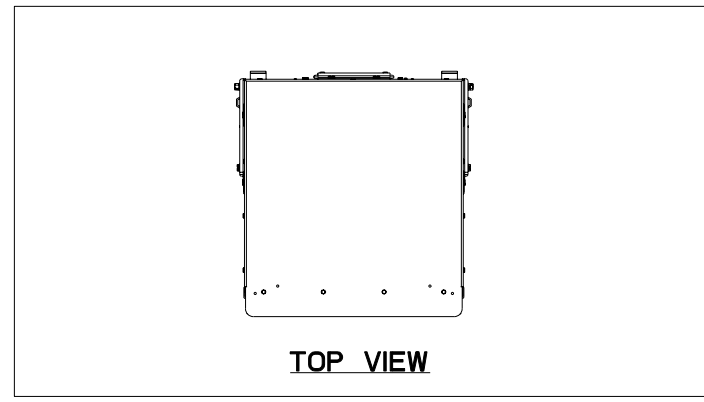
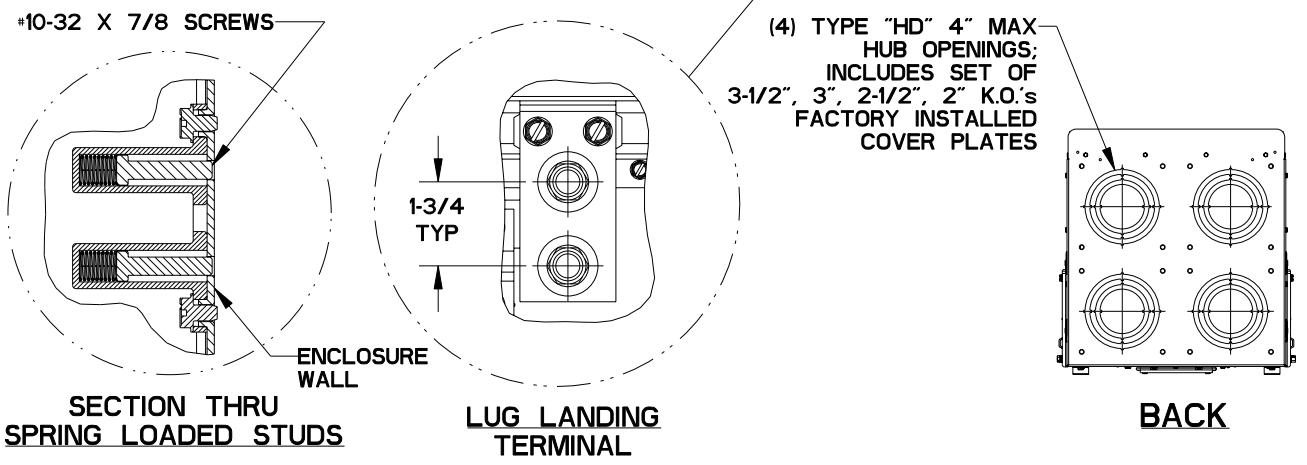
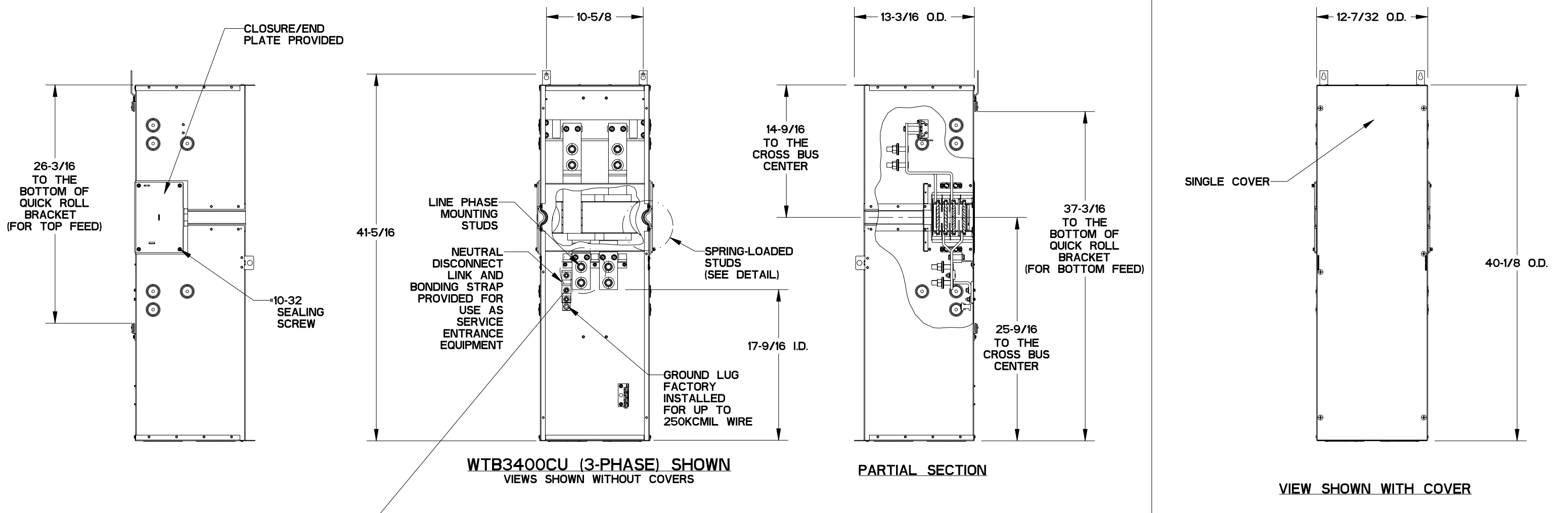
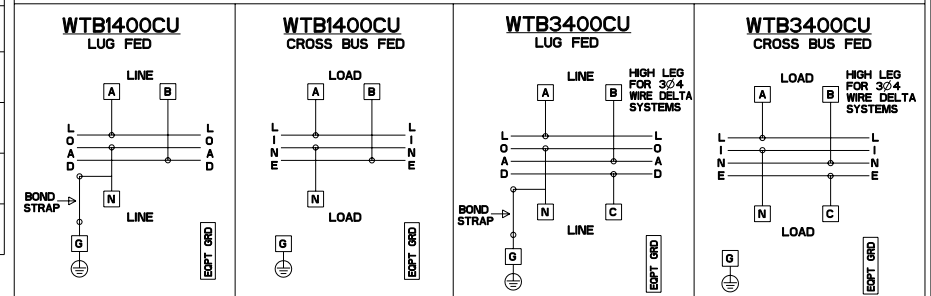
Replacement Parts, Accessories, and Additional Modules

FOR USE WITH:		
Module Description	Siemens Series No.	Murray Series No.
Main Breakers	(W)MC, WB, WEB	DB W
Switches	WMP, WMS, WS, WES	DPT W, DT W
Tap/Terminal Boxes	WMTB, WTB, WET	DTB W
Pull Boxes	WMMB, WPB, WAPB	DPB W
Meter Modules	WMM, WxMM, WMT, WML, WMK	DG.W, DC.W, DL.W
Extension Box	WMEX	DS
Bussed Elbow	BE	DL
Siemens Accessories	Catalog Number	Req'd Torque
Single Bolt Joint (1ph)	QC1 or SBJ1	400-480 LB-IN [35-40 FT-LBS]
Single Bolt Joint (3ph)	QC4 or SBJ4	
GND Bar Kit	ECLX069M	N/A
Hub Cover Plate	EC56933S	N/A

Lugs for Phase and Neutral Connections (not supplied)					
NEMA Lug ①	MFG	Wire Range	Type	No. Wires per phase	Torque (lb-in.)
LK11600N2	SIEMENS	#2-600 KCMIL	MECHANICAL	1	375
LK31600N2					
LK12500N2	SIEMENS	1/0-500 KCMIL	MECHANICAL	2	500
LK32500N2					
2ACL-500	ILSCO	500 KCMIL	COMPRESSION	2	N/A ②
2ACL-600	ILSCO	600 KCMIL			

① Order one mechanical lug kit for mains and neutral. Contact Lug manufacturer for compression lug quantities supplied for each kit.  
② See lug manufacturer's instruction sheet supplied with the connector for tool, die and number of crimps.

400A Standard Tap Box Schematics



**Siemens Industry, Inc.**  
Building Technologies Division

**PowerMod™ Tap Boxes**

CATALOG NO.S: **WTB1400CU and WTB3400CU**  
Standard Service Entrance Tap Boxes

SIZE **B**      DWG NO: **400A STD SE TAP-BXS**

DWN: JKH      DATE: 04/15/09      DO NOT SCALE DRAWING      SHEET 1 OF 1