

Catalog Numbers, Features and Ratings

Replacement Parts, Accessories, and Additional Modules

1600A 1Ø Standard Tap Box Schematics

WTB11600CU 1-PHASE

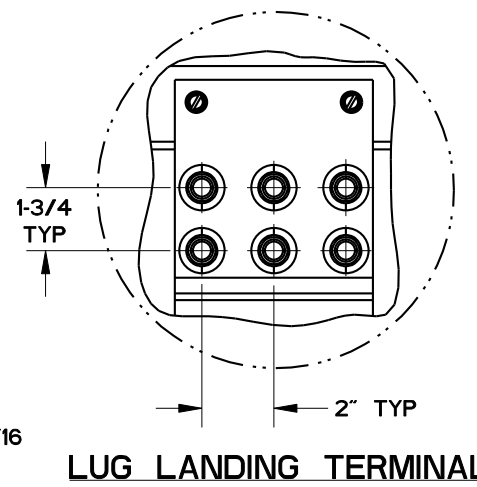
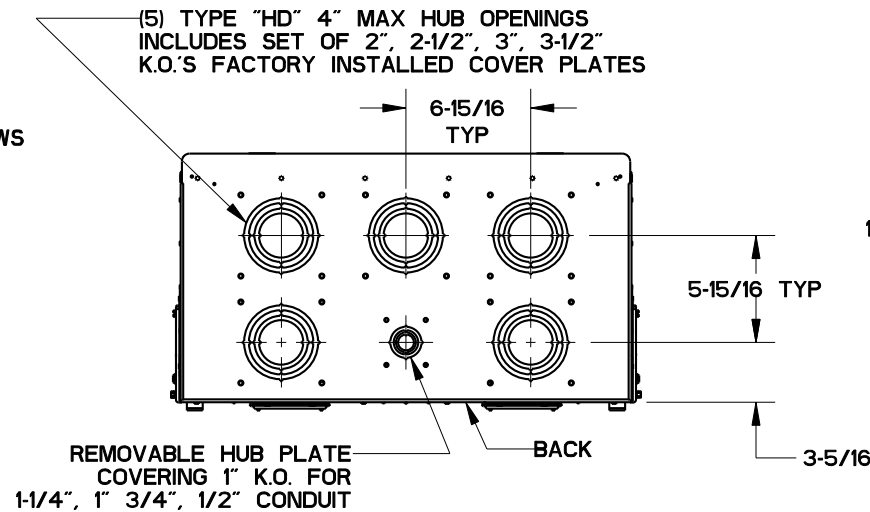
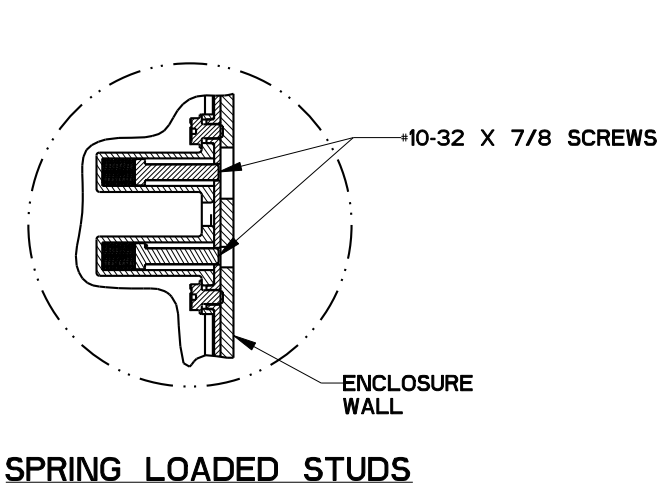
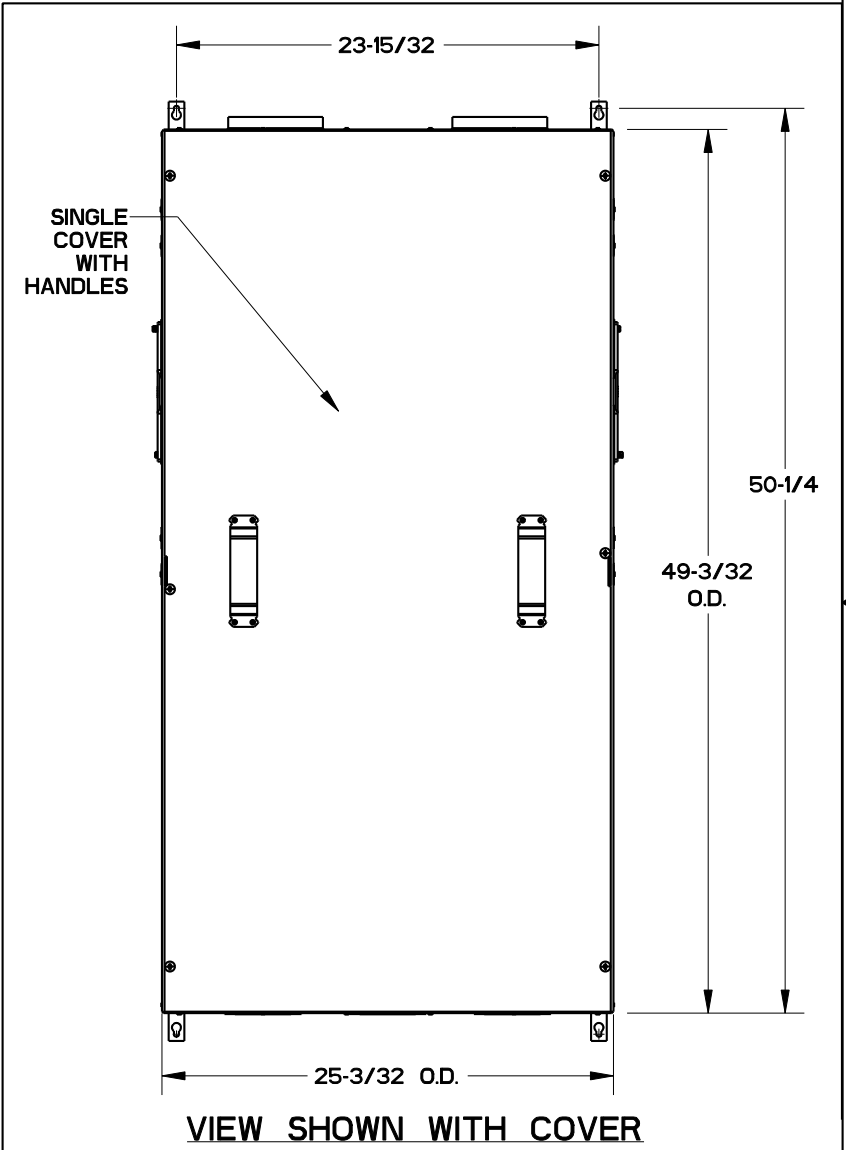
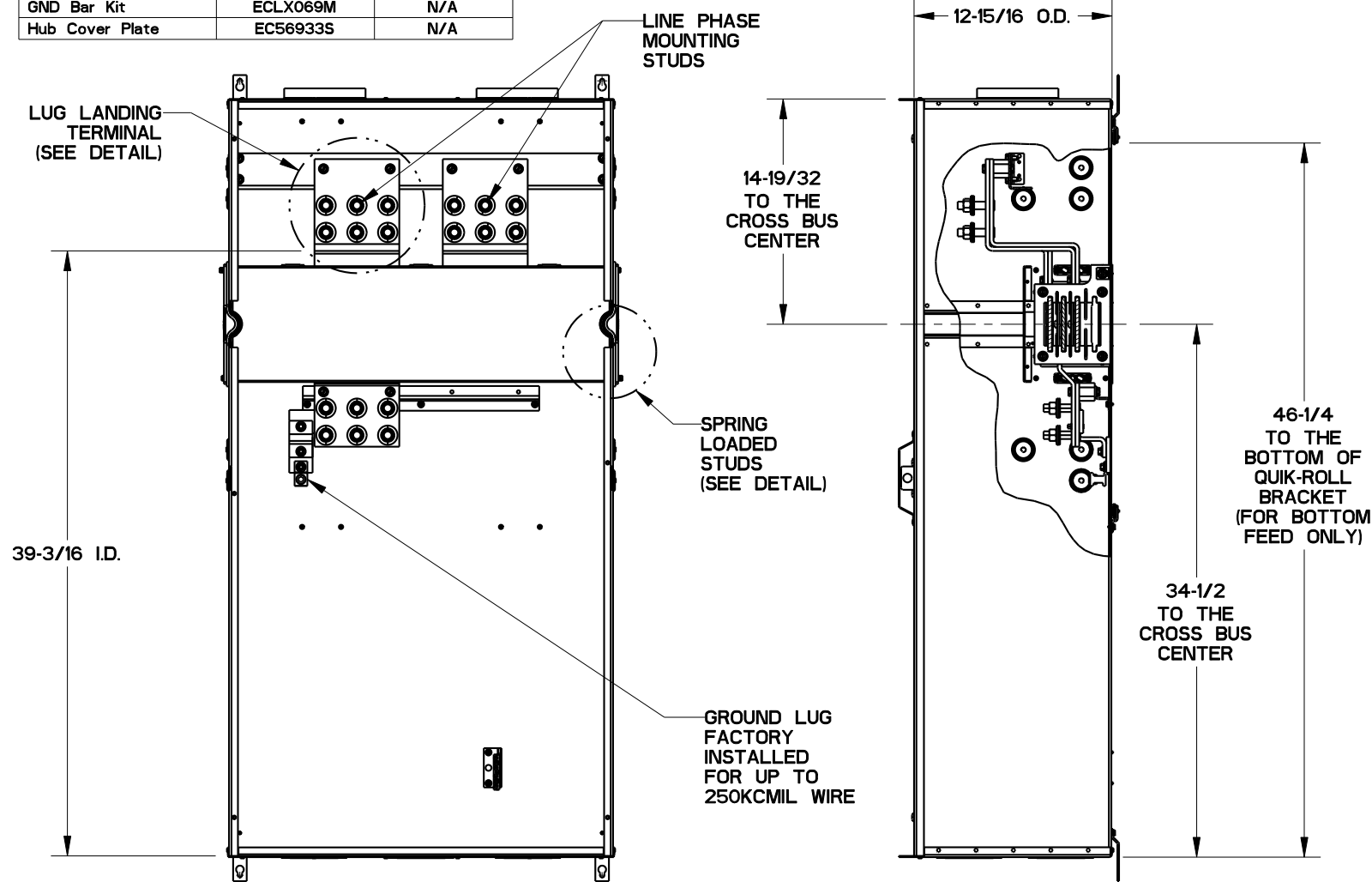
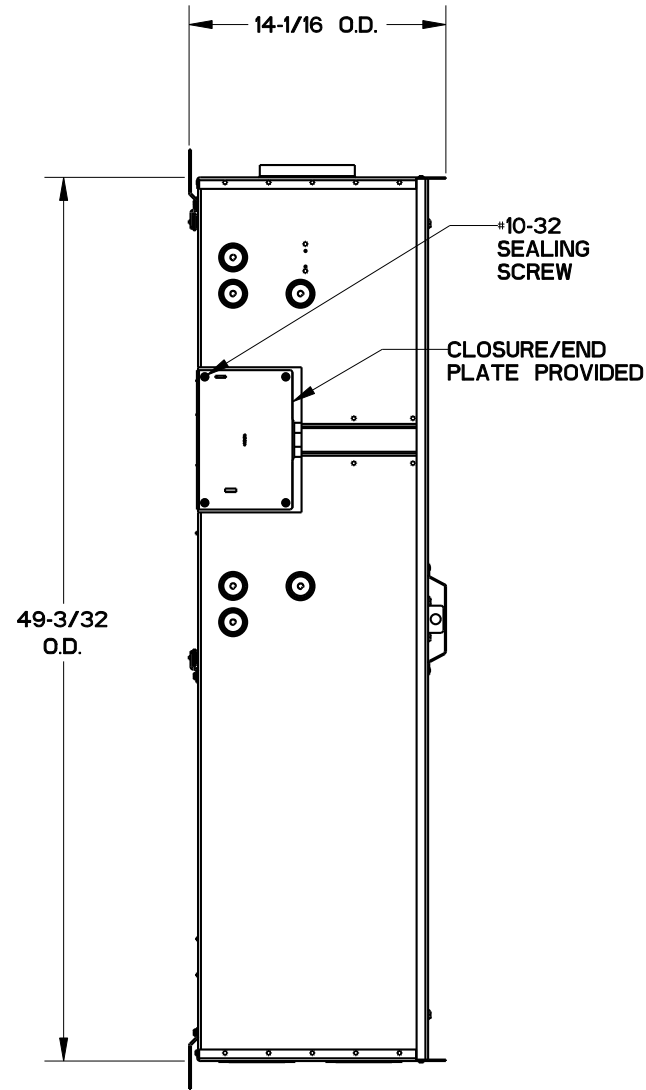
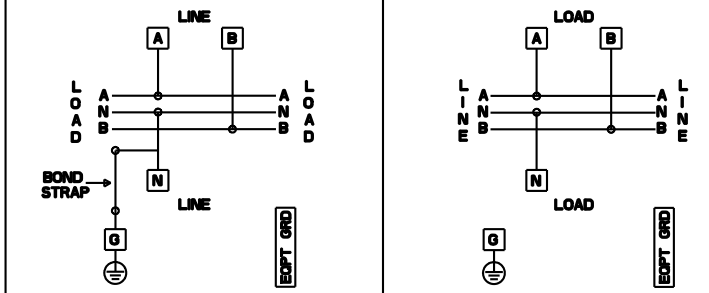
- MODULE RATING: 1200 AMPS MAX, 240V AC MAX.
- 100,000 AIC RATING MAX.
- ADDED MOUNTING RAILS AND BRACKETS FOR SECURE MOUNTING.
- FOR OVERHEAD OR UNDERGROUND SERVICE.
- TYPE 3R OUTDOOR ENCLOSURE.

FOR USE WITH:		
Module Description	Siemens Series No.	Murray Series No.
Main Breakers	(W)MC, (W)B, (W)EB	DB W
Switches	WMP, WMS, WS, WES	DPT W, DT W
Tap/Terminal Boxes	WMTB, WTB, WET	DTB W
Pull Boxes	WMMB, WPB, WAPB	DPB W
Meter Modules	WMM, WxMM, WMT, WML, WMK	DG.W, DC.W, DL.W
Extension Box	WMEX	DS
Bussed Elbow	BE	DL

Siemens Accessories	Catalog Number	Req'd Torque
Single Bolt Joint (lph)	QC1 or SBJ1	400-480 LB-IN [35-40 FT-LBS]
GND Bar Kit	ECLX069M	N/A
Hub Cover Plate	EC56933S	N/A

Lugs for Phase and Neutral Connections (not supplied)						
NEMA Lug ①	MFG	Wire Range	Type	No. Wires per phase	Torque (lb-in.)	
LK15600N2	SIEMENS	1/0-600 KCMIL	MECHANICAL	5	500 ②	
LK35600N2						
LK15750N2	SIEMENS	300-750 KCMIL	MECHANICAL	5	500 ②	
LK35750N2						
2ACL-600	ILSCO	600 KCMIL	COMPRESSION	5	N/A ③	
2ACL-750	ILSCO	750 KCMIL	COMPRESSION	5	N/A ③	

① Order one mechanical lug kit for mains and neutral. Contact Lug manufacturer for compression lug quantities supplied for each kit.
 ② Kit contains more than one lug type. Reference kit instruction sheet for the actual torque value for each lug kit.
 ③ See lug manufacturer's instruction sheet supplied with the connector for tool, die and number of crimps.



Siemens Industry, Inc.
Building Technologies Division

PowerMod™ Tap Boxes

CATALOG NO.:

WTB11600CU

Standard Service Entrance Tap Boxes

SIZE B

DWG NO.:

1600A STD SE TAP-BXS

DWN: JKH

DATE: 04/24/12

DO NOT SCALE DRAWING

SHEET 1 OF 1