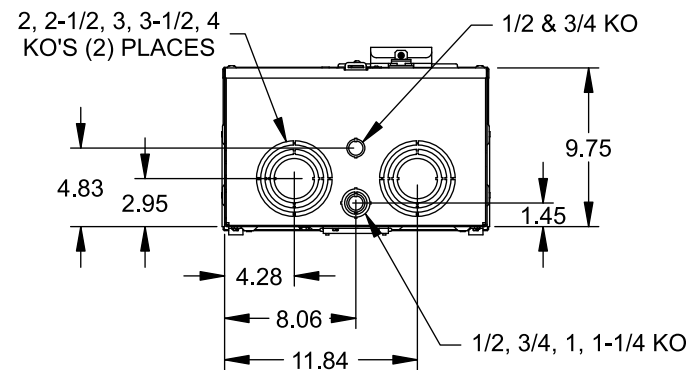
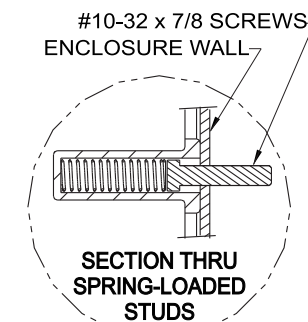
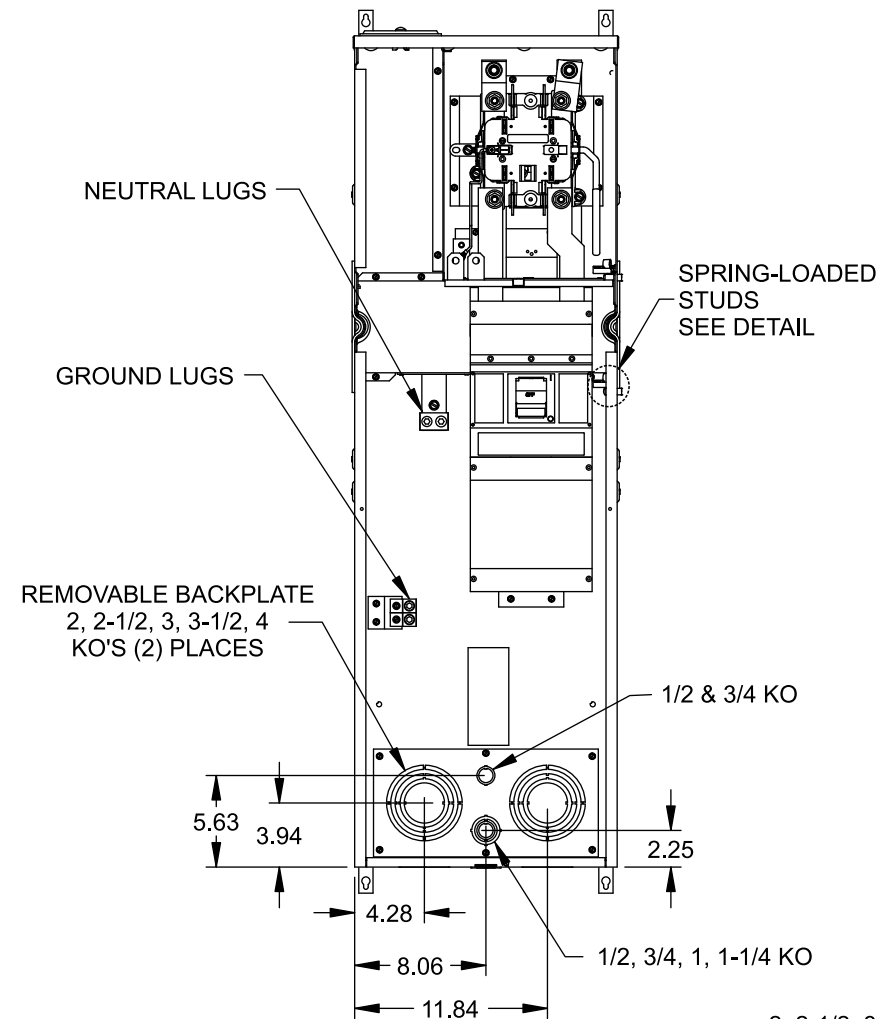
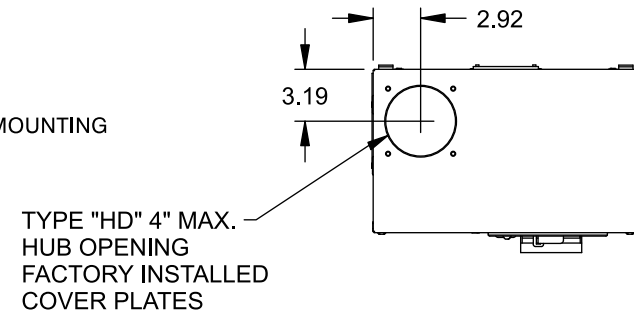


Catalog Numbers, Ratings and Features

Catalog No.	Max. Branch Rating	Main Bus, 1200A Max.	Breaker Type	Meter Socket Cover	Meter Socket Type/ Continuous Rating	No. of Jaws	Bypass Type	Neutral Lug Wire Range	Equip Ground Lug Wire Range
WML11400RJH	400A	1 Phase	2 Pole CJD6-A	Ringless	HQ-5S / 320A	5	Lever	(1)or(2) 3/0-500 CU (1)or(2) 4/0-500 AL	(2) #4-300 kcmil

- TYPE 3R OUTDOOR ENCLOSURE
- 120/240 VOLTS AC, 1 PHASE, 3 WIRE.
- 208Y/120 VOLTS AC (5th JAW MAY BE REQUIRED)
- 1 PHASE INPUT, 1 PHASE OUTPUT
- 35,000 AIC RATING MAX.
- MOUNTING RAILS AND ADJUSTABLE BRACKETS FOR SECURE MOUNTING



Additional Modules and Accessories

Module Description	For Use with Siemens Series#
Main Breakers	(W)MC, WB, WEB, WXB
Switches	WMP, WMS, WS, WES
Tap/Terminal Boxes	WMTB, WTB, WET, WT_PU
Pull Boxes	WMMB
Meter Module	(W)MM, WxMM, (W)MT, (W)ML, (W)MK, (W)MLZ(F)
Meter Combinations	WC, WCL, WCT
Extension Box	WMEX, WSP, WSPD
Bussed Elbow	BE

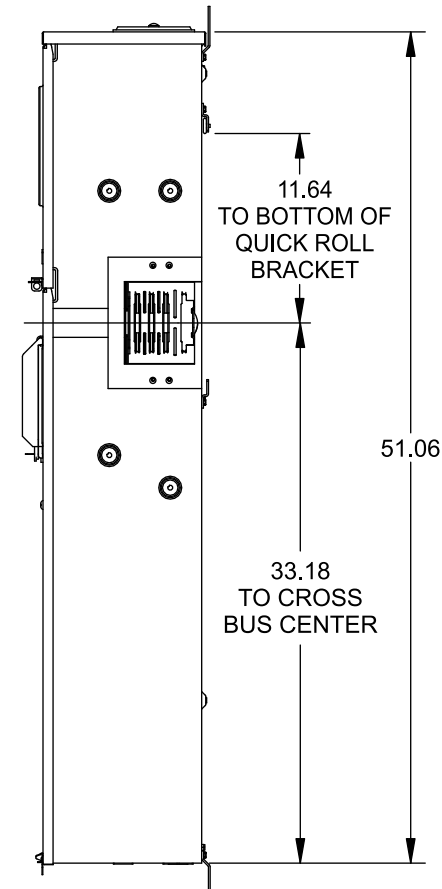
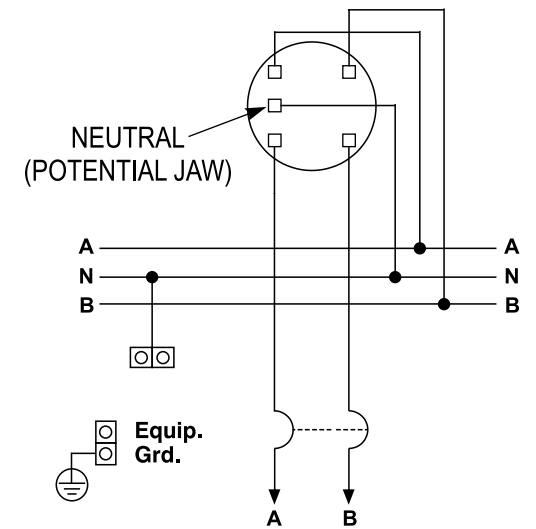
Connect Modules Using:	Catalog Number / Torque
QuickConnect	QC1 (1ph) or QC4 (3ph) 400-440 lb-in (35-36 ft.-lb.) Torque

Siemens Accessory	Catalog No.
Hub Cover Plate	EC56933S
Type HD Hub 2"	EC56854
Type HD Hub 2-1/2"	EC56855
Type HD Hub 3"	EC56856
Type HD Hub 3-1/2"	EC56857
Type HD Hub 4"	EC56858

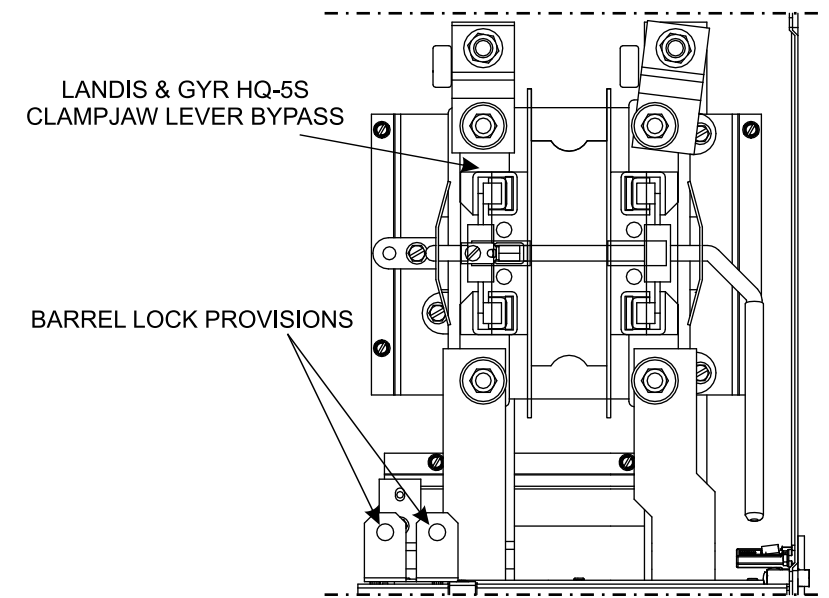
Breaker Lug Kit (factory installed)
LK12500 (kit includes 3 lugs)

Alternate Breaker Lug Kit
LK11750 - (1) 500-750 kcmil
(kit includes 3 lugs)

Schematic



Enlarged Socket Detail



© 2015 Copyright Siemens Industry, Inc.

SIEMENS
Siemens Industry, Inc.

PowerMod Meter Stack

Description: **Lever Bypass, 1 Position 400A Tenant 1in-1out Commercial Metering Module (35k)**

KAM
1/28/15

DO NOT SCALE
DRAWING

Dwg. No.

WML11400RJH