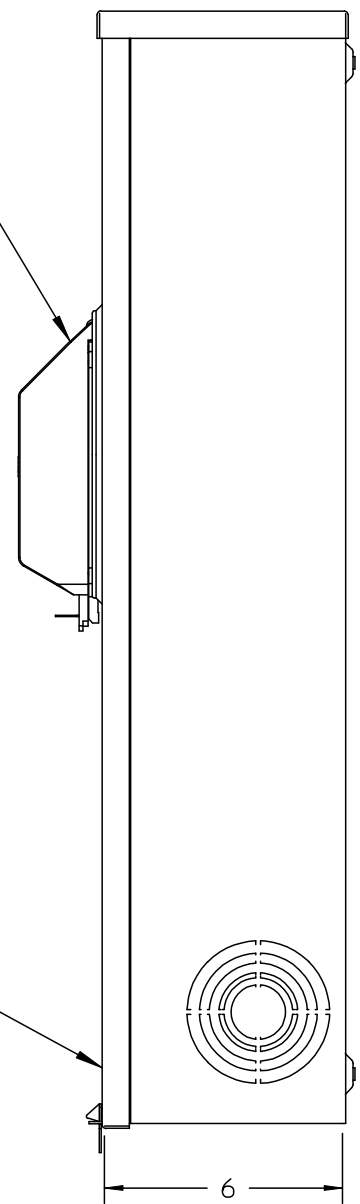


BREAKER ACCESS DOOR



7 TERMINAL LEVER BYPASS WITH CLAMPING JAW SOCKET

LEVER BYPASS LABEL

#6-350MCM CU-AL LINE NEUTRAL, LOAD AND LOAD NEUTRAL

7/16 KO FOR BARREL LOCK

NOTES:

- 1) UNIT RATING:
200A, 600 VAC, 3 PHASE, 4 WIRE
- 2) ENCLOSURE IS FABRICATED FROM 14GA GALVANIZED STEEL, FRONTS, TOP & BOTTOM FROM 16GA GALVANIZED STEEL.
- 3) FINISH: GRAY

UNLESS OTHERWISE SPECIFIED DIMENSIONS ARE IN INCHES

TOLERANCES:
 .XX
 .XXX
 HOLE DIAMETER
 ANGULAR
 UNDIMENSIONED 90° ANGLES

DWN	KP	DATE	6/3/2014
CHK		DATE	
APVD		DATE	

-CONFIDENTIAL-PROPERTY OF Siemens Industry, Inc.			
SKT/BKR 200A 3P UG			
SIZE	ISSUE RELEASE NO.	DWG NO.	REV
B		SELG0303CS3200RD	
SCALE		DO NOT SCALE DRAWING	SHEET 1 OF 1