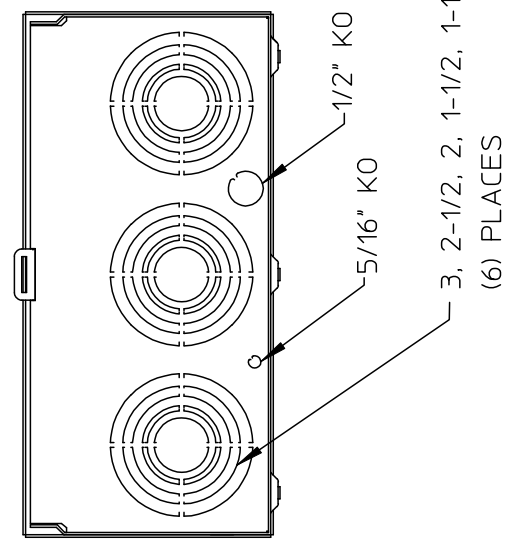


NOTES:
 1) UNIT RATING:
 200A, 600 VAC, 3 PHASE, 4 WIRE
 2) ENCLOSURE IS FABRICATED FROM
 16GA GALVANIZED STEEL
 3) FINISH: GRAY



UNLESS OTHERWISE SPECIFIED
 DIMENSIONS ARE IN INCHES
 TOLERANCES:
 .XX
 .XXX
 HOLE DIAMETER
 ANGULAR
 UNDIMENSIONED 90° ANGLES

DWN	KP	DATE	6/3/2014
CHK		DATE	
APVD		DATE	

-CONFIDENTIAL-PROPERTY OF Siemens Industry, Inc.			
SKT/BKR 200A 3P HCP			
SIZE B	ISSUE RELEASE NO.	DWG NO. SELG0303CS3200R	REV
SCALE	DO NOT SCALE DRAWING	SHEET 1 OF 1	