

SIEMENS

Outdoor Circuit Breaker Enclosure

Catalog Number W0202MB1200CU W0202ML1200CU	Series	Enclosure Type 3R
--	--------	----------------------

Rating: 200 Amps, Max, 120/240 VAC, 1 Phase 3 Wire

Suitable For Use As Service Equipment

When used as Service Equipment apply "Service Disconnect" label on trim near breaker handle.

When required, bond neutral to enclosure with the #10 screw provided. Force the bond screw through the aluminum seal.

Terminals:

Use Copper or Aluminum Wire

For all panel terminals and on circuit breaker terminals when breakers are so marked.

Line Terminals A and B

Suitable for 75° C Conductors, Wire Size #4-250kcmil CU/AL
Torque terminals to 225 Lb-in.

Load Terminals A and B

See markings on breaker for torque requirements and conductor rating.

Line/Load Terminal N

Suitable for 75° C Conductors, Wire Size #4-250 kcmil CU/AL.
Torque terminals to 225 Lb-in.

Terminal N1

Suitable for 60°/75° C Conductors, Wire Size #4-1/0 AWG CU/AL.
Torque terminal to 45 Lb-in.

Equipment Ground (LK384S) Factory Installed

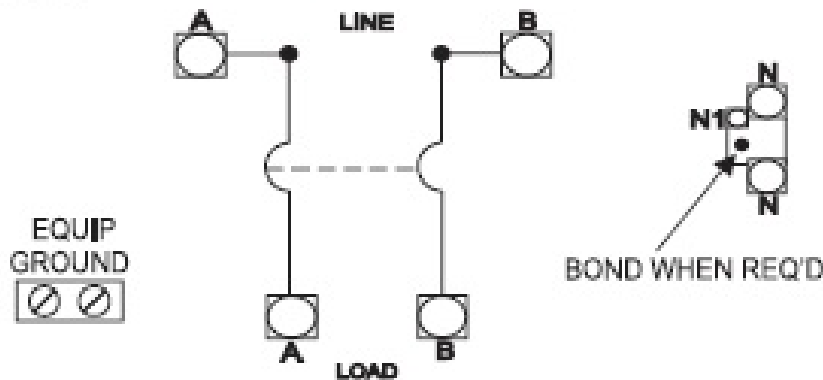
Wire Size	Tightening Torque
14-10 AWG CU/AL	35 Lb-in.
8 AWG CU/AL	40 Lb-in.
6-2/0 AWG CU/AL	45 Lb-in.

General Information:

Circuit breaker overload trip position is indicated by handle position midway between ON and OFF. To reset, move handle to OFF position then turn ON.

If hub is required, the catalog numbers listed below may be used on this enclosure.

Size	Cat. No.
3/4"	ECHS075
1"	ECHS100
1 1/4"	ECHS125
1 1/2"	ECHS150
2"	ECHS200
2 1/2"	ECHS250



SHORT CIRCUIT CURRENT RATING

The maximum short circuit current rating of this device is 65,000 RMS symmetrical amperes at 120/240 volts AC. The rating is equal to the interrupting rating of the installed breaker. Install Siemens type QN, QNH, or HQN or Murray type MD-T MD-HT, or MD-MT circuit breakers. Replacement breakers must be one of the type breakers listed above.

Siemens Energy & Automation, Inc.
Alpharetta, Georgia, U.S.A.



4094693 Rev. E

Important

This equipment has been designed for use only with those circuit breakers listed above. Use of other circuit breakers in this equipment will void the warranty.



Print or download this document

1

2

3

4

5

6

7

8

9

10

Date of Manufacture:

Assembled in Mexico