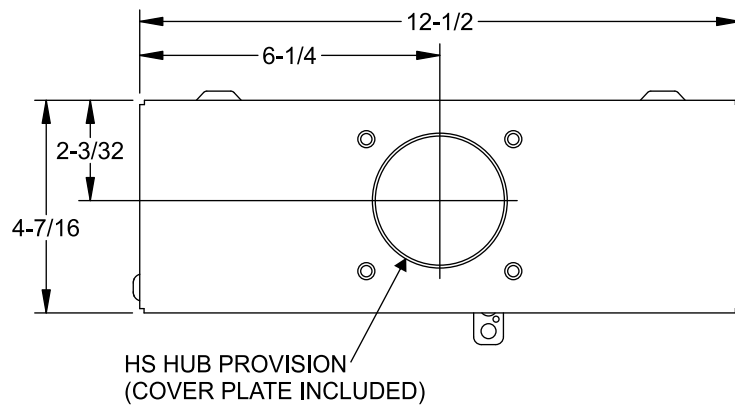


## Features and Ratings

- 125 Amps Max, 1 Phase, 3 Wire, 120/240V ~
- 8 - 1" Positions, 16 Circuits Max.
- NEMA Type 3R Outdoor Enclosure
- Copper Bus Bars
- Closure Plate Included

## W0816ML1125CU



## TERMINAL WIRE SIZES AND TORQUES

### Ground Bar Wire Size

**Copper:**  
One #14-#4 AWG or Two or Three #14-#10 AWG.  
**Aluminum:**  
One #12-#4 AWG or Two or Three #12-#10 AWG.

### Neutral Bar Wire Size

Wire Size	Torque
14-10 AWG CU	20 lb.-ins.
12-10 AWG AL	20 lb.-ins.
8 AWG CU/AL	25 lb.-ins.
6 AWG CU/AL	35 lb.-ins.
4 AWG CU/AL	45 lb.-ins.

**Line Terminals L and N** Suitable for 60°/75°C conductors. Wire size: Copper and Aluminum #4-2/0 AWG. Torque terminals to 45 lb.-ins.

**Load Terminals** See markings on breaker for torque requirements and conductor rating.

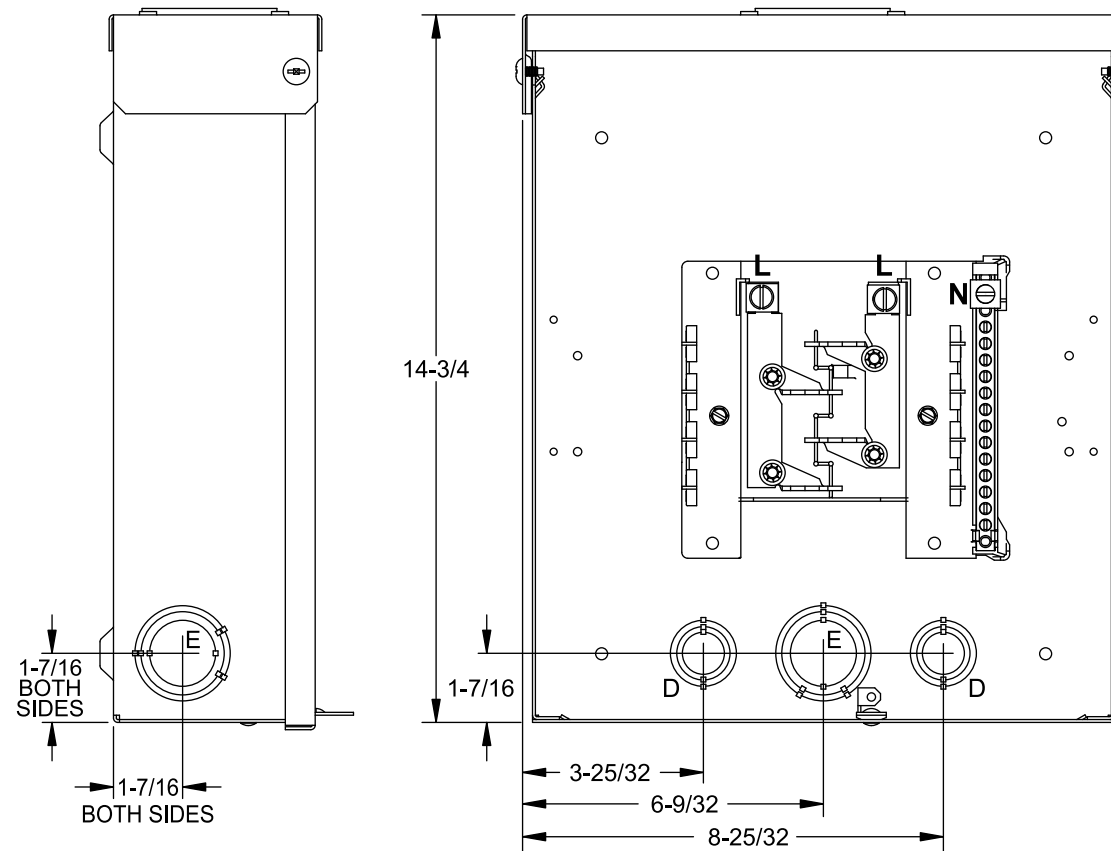
**ECLK1-2 Lug Kit** Suitable for 60°/75°C conductors. Wire size: Copper and Aluminum #4-2/0 AWG. Torque terminals to 45 lb.-ins.

## ACCESSORIES

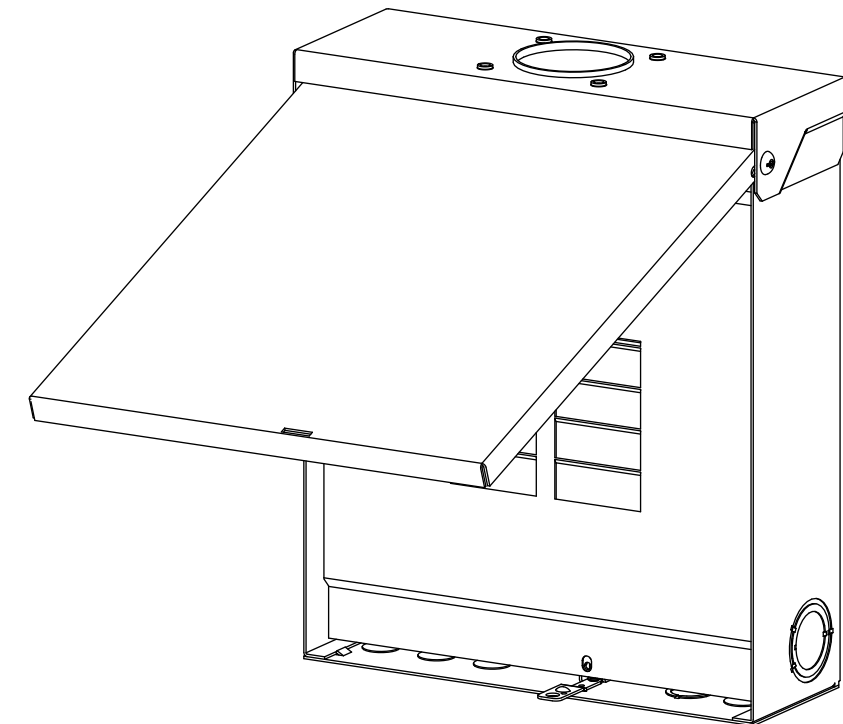
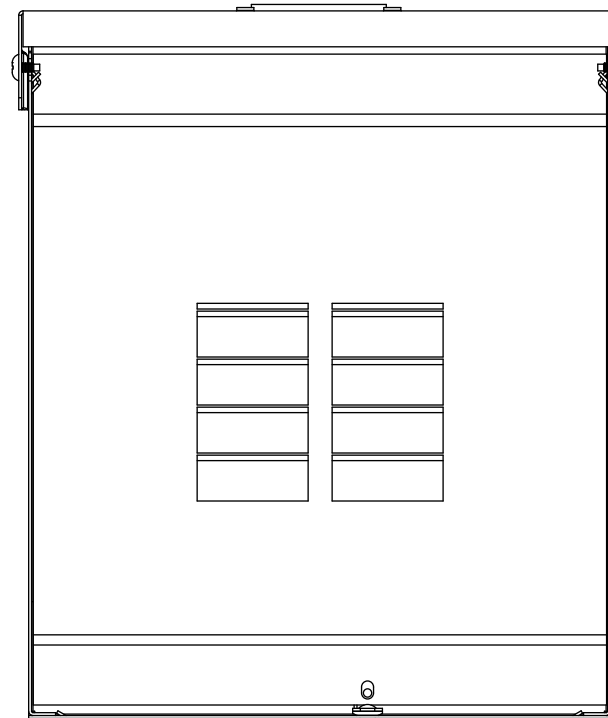
**Accessory Kits:**  
Equipment Ground Bars: Series "ECGB"  
Filler Plate: ECQF3  
Breaker Hold Down: ECMBR1  
2/0 Branch Neutral Terminals: ECLK1, ECLK2  
Interlock Kits: ECSBPK01, ECSBPK02

CONDUIT HUBS	
TRADE SIZE	CAT. NO.
3/4 INCH	ECHS075
1 INCH	ECHS100
1-1/4 INCH	ECHS125
1-1/2 INCH	ECHS150
2 INCH	ECHS200
2-1/2 INCH	ECHS250

Shown with Door and Deadfront Removed

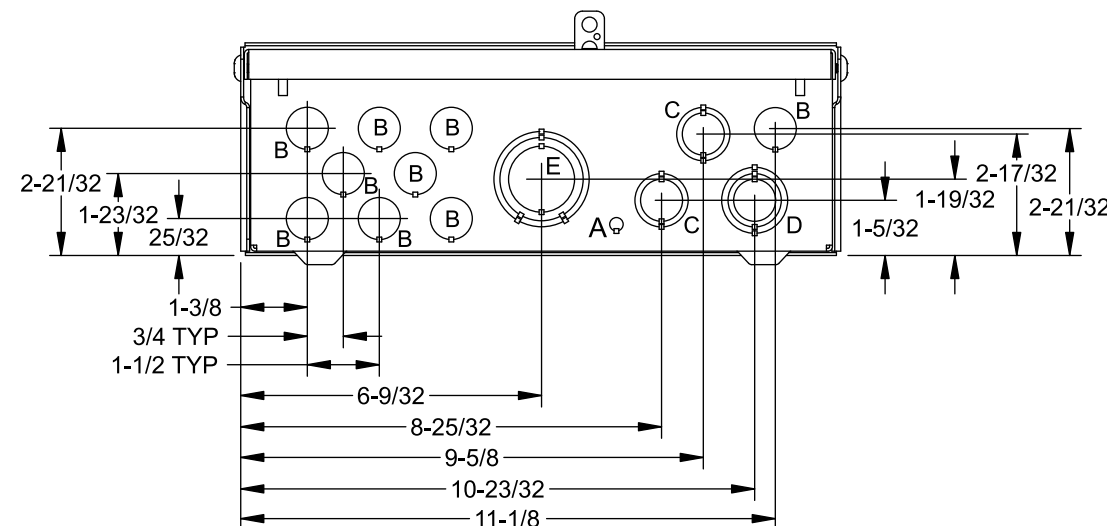


Shown with Door Removed



## KNOCKOUT CHART

KO Designation	Qty	Conduit Size
A	1	KO Size = 9/32" DIA.
B	9	1/2"
C	2	1/2", 3/4"
D	3	1/2", 3/4", 1"
E	4	1", 1-1/4", 1-1/2"



© 2013 Copyright Siemens Industry, Inc.

**SIEMENS**  
Siemens Industry, Inc.

## Outdoor Load Center

Description: **1 Phase, 8 Position, 16 Ckt,  
125A Main Lug Load Center**

KAM 6/5/13 DO NOT SCALE DRAWING Dwg No: **W0816ML1125CU**