



# Murray Contractor Packs

[www.usa.siemens.com/loadcenters](http://www.usa.siemens.com/loadcenters)

Siemens is proud to announce new, innovative additions to our Murray line of load centers. The additions now take advantage of the elimination of the 42 circuit rule in the 2014 National Electric Code thereby allowing higher circuit counts. Panels are now available with 48 and 60 circuits where applications may require future branch circuit additions or greater than the industry norm of 42 circuits. These higher circuit panels will take advantage

of "twin" and "quad" breaker designs to keep full spaces open for arc-fault circuit interrupters or other branch breakers that require a full 1" space. These new contractor pack additions are UL listed for both Siemens and Murray branch circuit breakers so distributors do not have to worry over which breaker they have in stock. The Murray Load Center is a high quality, versatile out board neutral design that offers a high quality alternative for those that prefer this neutral configuration.

Mounting tabs on the trim hold it in place on the load center, freeing up both hands to drive the trim screws.



"Swiss Cheese" style neutral bars provide multiple 1/0 connection points.

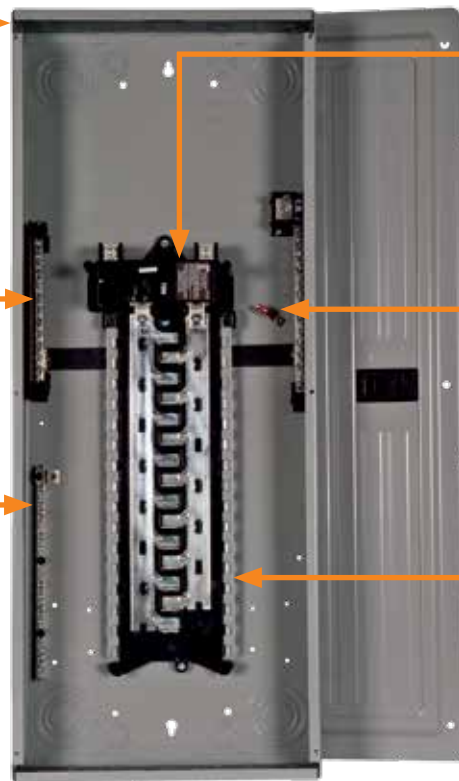


Outboard neutral and groundbars allow for all connections to be located away from the breaker connections, making for a neat, clean installation.

Now provides more poles of breakers.



LC3060 and LC4260 breaker mix shown.



All devices are convertible from main lug to main breaker or vice versa with the addition of main breaker or main lug kits.



With the use of the included bonding strap, ground bars and neutral bars can be bonded for service entrance applications and double sided neutrals make AFCI installation easier



A rigid, sturdy basepan with metal hook rails provides the most rugged breaker connection in the industry.

New Catalog number	No. of spaces	No. of circuits	Amp max	Height	Width	Depth	Breaker mix
LC2040B1100P	20	40	100	25.7	15.8	4.8	6- MP120
LC2448B1100P NEW!	24	48	100	25.7	15.8	4.8	1- MP23020, 2- MP2020
LC2040B1200P	20	40	200	25.7	15.8	4.8	1- MP23020, 2- MP2020
LC3040B1200P	30	40	200	37.7	15.8	4.8	6- MP120, 2- MP230
LC3060B1200P NEW!	30	60	200	37.7	15.8	4.8	2- MP23020, 4- MP2020
LC4260B1200P NEW!	42	60	200	43.7	15.8	4.8	2- MP23020, 4- MP2020

Answers for infrastructure and cities.

Murray Electrical Products  
Siemens Industry, Inc.  
5400 Triangle Parkway  
Norcross, GA 30092

1-800-241-4453  
info.us@siemens.com

[www.usa.siemens.com/loadcenters](http://www.usa.siemens.com/loadcenters)

Subject to change without prior notice  
Order No.: RPFL-MUYCP-0314  
Printed in USA  
© 2014 Siemens Industry, Inc.

The information provided in this flyer contains merely general descriptions or characteristics of performance which in case of actual use do not always apply as described or which may change as a result of further development of the products. An obligation to provide the respective characteristics shall only exist if expressly agreed in the terms of contract.

All product designations may be trademarks or product names of Siemens AG or supplier companies whose use by third parties for their own purposes could violate the rights of the owners.