

Disconnect switches



Features

- 25 -100 Ampere, to 50 hp 480V and 600V
- Separate Design E horsepower listed ratings. No NEC de-rating calculation required
- Separate motor FLA and LRA listed ratings. No hp conversions needed for FLA/LRA rated loads
- Rotary and Toggle actuation models
- UL and CUL listed under File No. E191706 as manual motor controllers per UL Standard UL508
- Specific listing for general use and resistive (heater) loads
- Listed for group applications per NEC 430-53(c) and (d)
- Base, DIN-rail and door mounting
- Listed for multiple conductors in each line and load terminal in 40-100A ratings
- Low heat producing current path, max 50°C rise, 60°/75°C rated
- Listed for broad application range including for electrical discharge (ballast) lamps to 480V AC
- IEC 60947-1 rated, CE marked
- Listed and marked "suitable as motor disconnect" per NEC Section 430-109

Load break switches

Answers for industry.

SIEMENS

Non-fusible disconnect switches

Ordering information

- Select the type of switch
- Select handle type
- Select shaft
- Select auxiliary contacts and/or accessories if required



Rotary switches



Rotary shafts



Handles



Toggle switches

Rotary and toggle switches

Siemens Load Break Switches are listed as manual motor controllers and are marked “suitable as motor disconnect.” They act as enclosure disconnects when short circuit protection is provided upstream of the switch. If protection is not provided upstream, use a Siemens Fusible Heavy Duty or Type VBII or CFS Disconnect Switch.

Catalog number	Switch type	No. of poles	Ampere ratings				Max AC volt	AC horsepower ratings												
			Gen'l	MFLA	MLRA	115V			200V			230V			460V			575V		
						1Ø		1Ø	3Ø	1Ø	3Ø	1ØE	1Ø	3Ø	3ØE	1Ø	3Ø			
LBR3025	Rotary	3	25	15.2	92	480	¾	2	3	2	5	3	5	10	7½	—	—			
LBR3025D ¹⁾	Rotary	3	25	15.2	92	480	¾	2	3	2	5	3	5	10	7½	—	—			
LBR3040	Rotary	3	40	27	146	600	2	3	7½	3	7½	5	7½	20	10	10	25			
LBR3060	Rotary	3	60	34	194	480	2	5	10	5	10	7½	10	25	15	—	—			
LBR3080	Rotary	3	80	54	337	600	3	7½	15	10	20	15	20	40	30	30	50			
LBR3100	Rotary	3	100	68	412	480	5	10	20	15	25	15	30	50	40	—	—			
LBR4040	Rotary	4	40	27	146	480	2	3	7½	3	7½	5	7½	20	10	—	—			
LBT3040	Toggle	3	40	27	146	600	2	3	7½	3	7½	5	7½	20	10	10	25			
LBT3060	Toggle	3	60	34	194	480	2	5	10	5	10	7½	10	25	15	—	—			
LBT3080	Toggle	3	80	54	337	600	3	7½	15	10	20	15	20	40	30	30	50			
LBT3100	Toggle	3	100	68	412	480	5	10	20	15	25	15	30	50	40	—	—			
LBT4040	Toggle	4	40	27	146	480	2	3	7½	3	7½	5	7½	20	10	—	—			

Non-fusible disconnect switch accessories

Handles

Catalog number	Used on rotary switches	UL listed NEMA type	Mounting	Marking	Color	Cover interlock supplied ¹⁾	Padlockable
LBRH2	All	1	Door	ON/OFF	Black	No	No
LBRH3	All	1, 3R, 12, 13, 4X	Door	I/O, ON/OFF	Black	Yes ²⁾	Yes
LBRH4	All	1, 3R, 12, 13, 4X	Door	I/O, ON/OFF	Red/Yel	Yes ²⁾	Yes
LBRH5	25 amps	1	Direct mount	I/O	Black	—	Yes
LBRH6	3-pole, 40-60 amps	1	Direct mount	I/O	Black	—	Yes
LBRH7	3-pole, 80-100 amps	1	Direct mount	I/O	Black	—	Yes
LBRH8	4-pole, 40 amps	1	Direct mount	I/O	Black	—	Yes
LBRH9	All (pistol grip type)	1, 3R, 12, 4X	Door	I/O, ON/OFF	Black	Yes	Yes
LBRH10	All (pistol grip type)	1, 3R, 12, 4X	Door	I/O, ON/OFF	Red/Yel	Yes	Yes

Note: If a replacement collar is required for the 25 amp rotary switch, order LBRC1. For 40-100 amp rotary switch, order LBRC2.



Rotary switch door handles



Rotary switch direct mount handles



Auxiliary switch kits



Toggle switch cover plates

Rotary shafts

Catalog number	Length inches (mm)	Enclosure depth – inches (mounting pan surface to O.D. of door minimum and maximum without cutting)					
		With std. rotary handle			With pistol grip handle		
		25A	40-60A	80-100A	25A	40-60A	80-100A
LBR5040	1.57 (40)	—	—	3.35-3.50	—	—	—
LBR5050	1.97 (50)	—	—	3.35-3.55	—	—	—
LBR5055	2.17 (55)	3.35-3.55	3.35-3.55	3.50-3.70	—	—	3.35-3.56
LBR5080	3.15 (80)	4.41-4.56	4.46-4.65	4.49-4.68	4.09-4.25	4.21-4.37	4.36-4.54
LBR5120	4.72 (120)	5.98-6.13	6.03-6.22	6.06-6.25	5.66-5.82	5.78-5.94	5.93-6.11
LBR5180	7.09 (180)	8.35-8.50	8.40-8.59	8.43-8.62	8.03-8.19	8.15-8.31	8.30-8.48
LBR5305	12.00 (305)	13.26-13.41	13.31-13.50	13.34-13.52	12.94-13.10	13.06-13.22	13.21-13.39

25 amp, 4th pole

Used on catalog number	Catalog number
LBR3025	LBRP25
LBR3025D	LBRP25D

Rotary switch door mounting kit

Used on rotary switch	Catalog number
40-100 amps	LBRD1

Auxiliary switch kits

Used on rotary switch	Catalog number	Contact arrangement
LBR3025	LBRA25	1 NO/1NC
LBR3025D	LBRA25D	1 NO/1 NC
LBR3040, LBR3060	LBRA1	1 NO/1NC with common point
LBR3080, LBR3100	LBRA2	1 NO/1 NC with common point

Toggle switch cover plate

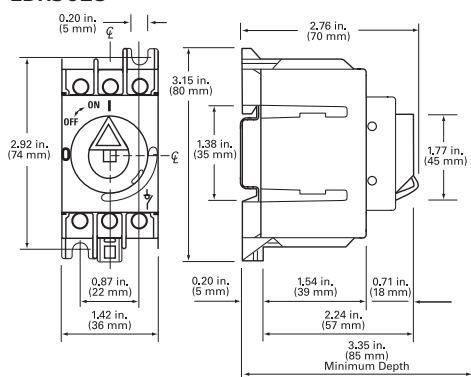
Used on toggle switch	Catalog number	Padlockable
LBT3040, LBT3060	LBTCP1	Yes
LBT3080, LBT3100	LBTCP2	Yes
LBT3040	LBTCP3	No

1) With no defeat mechanism.

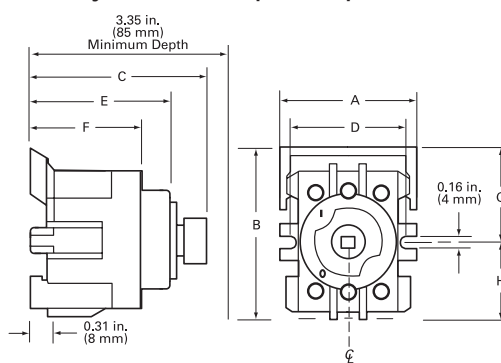
2) If required to open the enclosure door when the switch is ON, order additional catalog LBRDC1. For heavy duty handles with a defeatable cover interlock, use CFS type handles and 5 mm shafts listed in section 4 of the SPEEDFAX.

Dimension drawings and wire ranges

LBR3025



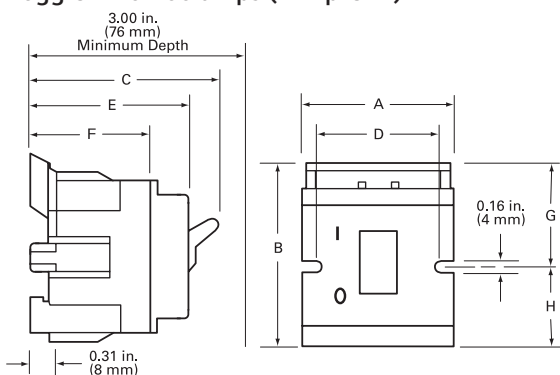
Rotary – 40-100 amps (LBR prefix)



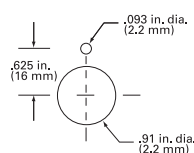
Wire ranges 60/75°C Cu only

25 mps	(1) #14 - #10 AWG solid (1) #14 - #8 AWG stranded
40 & 60 amps	(1) #14 - #10 AWG solid (1) #14 - #4 AWG stranded Up to (4) #12 AWG solid Up to (3) #12 AWG stranded Up to (6) #14 AWG stranded Up to (4) #14 AWG stranded with (1) #10 AWG stranded
80 & 100 amps	(1) #14 - #10 AWG solid (1) #14 - #1 AWG stranded (2) #6 AWG stranded Up to (3) #8 AWG stranded Up to (6) #10 AWG stranded Up to (6) #12 AWG solid

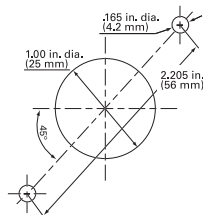
Toggle – 40-100 amps (LBT prefix)



Standard rotary handle cutout



Pistol grip handle cutout



Switch catalog number	Dimensions inches (mm)							
	A	B	C	D	E	F	G	H
LBR3040	2.00 (51)	2.72 (69)	2.72 (69)	1.78 (45)	2.16 (55)	1.67 (42)	1.50 (38)	1.22 (31)
LBR3060	2.00 (51)	2.72 (69)	2.72 (69)	1.78 (45)	2.16 (55)	1.67 (42)	1.50 (38)	1.22 (31)
LBR3080	2.09 (53)	3.32 (84)	2.92 (74)	1.97 (50)	2.29 (58)	1.69 (42)	1.66 (42)	1.66 (42)
LBR3100	2.09 (53)	3.32 (84)	2.92 (74)	1.97 (50)	2.29 (58)	1.69 (42)	1.66 (42)	1.66 (42)
LBR4040	2.42 (61)	2.72 (69)	2.72 (69)	2.28 (58)	2.16 (55)	1.67 (42)	1.50 (38)	1.22 (31)
LBT3040	2.00 (51)	2.72 (69)	2.75 (70)	1.78 (45)	2.16 (55)	1.67 (42)	1.50 (38)	1.22 (31)
LBT3060	2.00 (51)	2.72 (69)	2.75 (70)	1.78 (45)	2.16 (55)	1.67 (42)	1.53 (39)	1.19 (30)
LBT3080	2.09 (53)	3.32 (84)	2.90 (74)	1.97 (50)	2.29 (58)	1.69 (42)	1.66 (42)	1.66 (42)
LBT3100	2.09 (53)	3.32 (84)	2.90 (84)	1.97 (50)	2.29 (58)	1.69 (42)	1.66 (42)	1.66 (42)
LBT4040	2.42 (61)	2.72 (69)	2.75 (70)	2.28 (58)	2.16 (55)	1.67 (42)	1.50 (38)	1.22 (31)

Short circuit withstand ratings

Amp rating	Short circuit withstand rating and fuse class				
	with line side fusing			with load side fusing ¹⁾	
	10kA at 480V max	18kA at 480V max	10kA at 480V max	5kA at 480V max	18 kA at 480V max
25	H, K & RK5 (30A max)	—	—	—	—
40	H, K & RK5 (60A max)	—	—	—	—
40, 3-pole	H, K & RK5 (100A max)	J, T & CC (100A max)	H, K & RK5 (100A max)	H, K & RK5 (30A max)	²⁾
60	—		—	—	
80	H, K & RK5 (150A max)	—	H, K & RK5 (150A max)	H, K & RK5 (60A max)	³⁾
100	—		—	—	

¹⁾ For use as supplemental protection on the load side of the branch circuit over current protective device.

²⁾ Ferraz Shawmut A50P or lower let-through semiconductor fuses (60A max).

³⁾ Ferraz Shawmut A50P or lower let-through semiconductor fuses (100A max).

Siemens Industry, Inc.
 Building Technologies Division
 5400 Triangle Parkway
 Norcross, GA 30092
 1-800-964-4114

Subject to change without prior notice.
 Order No: SSPC-SM03A-0210
 All rights reserved.
 Printed in USA
 ©2010 Siemens Industry, Inc.

info.us@siemens.com

www.usa.siemens.com/switches

The information provided in this brochure contains merely general descriptions or characteristics of performance which in case of actual use do not always apply as described or which may change as a result of further development of the products. An obligation to provide the respective characteristics shall only exist if expressly agreed in the terms of contract.

Siemens is a registered trademark of Siemens AG. Product names mentioned may be trademarks or registered trademarks of their respective companies. Specifications are subject to change without notice.