

SIEMENS



Product Guide

Type VBII Heavy Duty Switches with Viewing Window

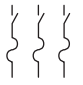
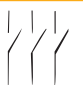

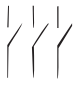
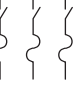



- More visibility, less exposure
- Available in NEMA Type 3R, 12 and 4X stainless steel enclosures
- 30-400 Amp (amperages vary depending on enclosure) switches allow viewing of both visible blade position and of indication type fuses
- Rugged installer-friendly enclosure design features a gasket flange with continuously welded seams
- Tool-free cover latches
- Two, three and four point mounting
- Metal handle with large insulating grip features a positive stop in both ON and OFF position
- Ground lugs provided as standard
- Type 12 enclosures are fabricated from galvanized steel and are also rated for 3R/3S outdoor applications
- Type 4X stainless steel switches (30-400 Amp) are provided with stainless steel interior parts
- The widest range of accessories available including 200% neutrals, gold plated PLC auxiliary contacts and isolated ground kits
- Viewing window kit available as a replacement

usa.siemens.com/switches

Heavy duty safety switches with viewing window

Ordering information¹⁾

System	Ampere rating	Catalog number	Ship wt.. (lbs.)	Maximum horsepower ratings ²⁾					
				240V AC		480V AC	600V AC	250V	600V
				1-phase, 2-wire	3-phase, 3-wire	3-phase, 3-wire	3-phase, 3-wire	DC	DC
NEW 3-pole, 3-wire fusible, Type 3R⁴⁾								600 Volt AC / 250 Volt DC¹⁾	
	30	HF361RW	17	3	7½	15	20	5	—
	60	HF362RW	22	10	15	30	50	10	30 ⁵⁾
NEW 3-pole, 3-wire non-fusible, Type 3R⁴⁾								600 Volt AC / 250 Volt DC¹⁾	
	30	HNF361RW	14	3	10	20	30	5	—
	60	HNF362RW	21	10	20	50	60	10	30 ⁵⁾
3-pole, 3-wire fusible, Type 12^{3) 4)}								600 Volt AC / 250 Volt DC¹⁾	
	30	HF361JW	17	3	7½	15	20	5	—
	60	HF362JW	22	10	15	30	50	10	30 ⁵⁾
	100	HF363JW	26	15	30	60	75	20	50 ⁵⁾
	200	HF364JW	53	—	60	125	150	40	50
	400	HF365JW	166	—	125	250	350	50	—
	600	HF366JW	168	—	200	400	500	50	—
3-pole, 3-wire non-fusible, Type 12^{3) 4)}								600 Volt AC / 250 Volt DC¹⁾	
	30	HNF361JW	14	3	10	20	30	5	—
	60	HNF362JW	21	10	20	50	60	10	30 ⁵⁾
	100	HNF363JW	25	15	40	75	100	20	50 ⁵⁾
	200	HNF364JW	51	15	60	125	150	40	50
	400	HNF365JW	133	15	125	250	350	50	—
3-pole, 3-wire fusible, Type 4X Stainless Steel^{4) 6)}								600 Volt AC / 250 Volt DC¹⁾	
	30	HF361SW	17	3	7½	15	20	5	—
	60	HF362SW	23	10	15	30	50	10	30 ⁵⁾
	100	HF363SW	28	15	30	60	75	20	50 ⁵⁾
	200	HF364SW	55	—	60	125	150	40	50
	400	HF365SW	168	15	125	250	350	50	—
3-pole, 3-wire non-fusible, Type 4X Stainless Steel^{4) 6)}								600 Volt AC / 250 Volt DC¹⁾	
	30	HNF361SW	15	3	10	20	30	5	—
	60	HNF362SW	23	10	20	50	60	10	30 ⁵⁾
	100	HNF363SW	27	15	40	75	100	20	50 ⁵⁾
	200	HNF364SW	54	15	60	125	150	40	50
	400	HNF365SW	143	15	125	350	350	50	—

1) 200A switches are also rated 600V DC.

2) Maximum HP ratings listed apply only when time delay fuses are used.

3) Also rated 3S/3R for outdoor use.

4) All switches are suitable for use as service entrance equipment.

Use outside poles of 3-pole switch for 2-pole application.

5) 600V DC and 600V DC horsepower rating shown requires (2) poles to be connected in series.

6) 304 grade stainless steel. For switches with enclosures constructed from 316 grade stainless steel, see page 4-16.

Lugs

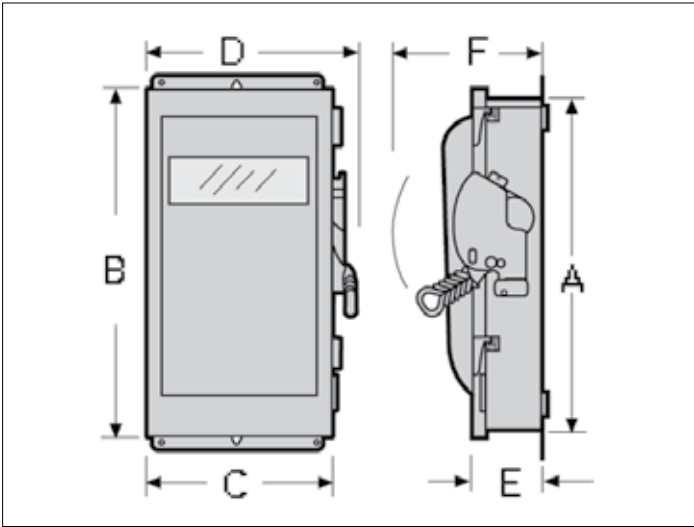
30-100A switches are suitable for use with 60° or 75°C wire.

200-600 are suitable for use with 75°C wire.

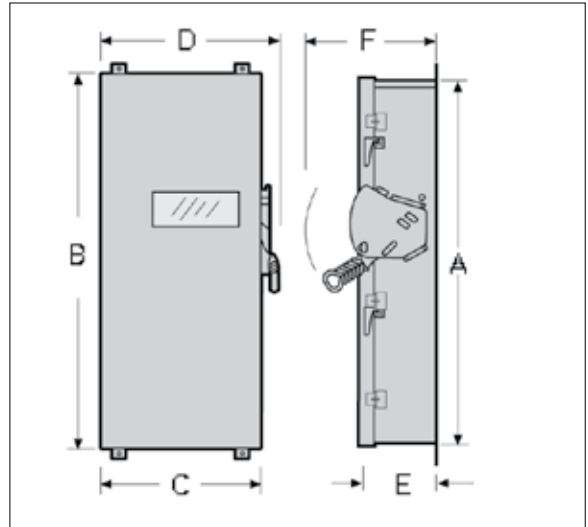
Wire ranges (Line, load and standard neutral)

Switch ampere rating	Wire range with wire bending space per NEC Table 373-6	Lug wire range
30	#12-6 AWG (Al) or #14-6 AWG (Cu/Al)	#14-2 AWG (Cu/Al)
60	#12-2 AWG (Al) or #14-2 AWG (Cu/Al)	#14-2 AWG (Cu/Al)
100	#14-1/0 AWG (Cu/Al)	#14-1/0 AWG (Cu/Al)
200	#6 AWG-300 Kcmil (Cu/Al)	#6 AWG-300 Kcmil (Cu/Al)
400	1/0 AWG-750 Kcmil (Cu/Al) or (2) 1/0 AWG-250 Kcmil (Cu/Al)	(1) 1/0 AWG-750 Kcmil (Cu/Al) or (2) 1/0 AWG-250 Kcmil (Cu/Al)

Type 4/4X, 12, 3R
30-200A



Type 4/4X, 12, 3R
400-600A



Safety switch dimensions (inches) and shipping weights

Catalog number	Height		Width		Depth		Shipping weight (lbs.)
	Box A	With mounting feet B	Box C	With handle D	Box E	With handle F	
HF361JW HF361SW	14.27	17.33	6.65	9.02	5.32	10.46	17
HF362JW HF362SW	16.27	19.31	9.17	11.47	5.33	10.46	23
HF363JW HF363SW	21.96	25.00	9.65	12.02	5.34	10.46	28
HF364JW HF364SW	29.96	33.00	14.62	16.95	6.63	12.58	55
HF365JW HF365SW HF366JW	56.14	59.68	24.82	26.44	9.19	14.64	166
HNF361JW HNF361SW	11.12	14.16	6.65	9.02	5.56	10.46	15
HNF362JW HNF362SW	16.27	19.31	9.17	11.47	5.33	10.46	23
HNF363JW HNF363SW	21.96	25.00	9.65	12.02	5.34	10.46	27
HNF364JW HNF364SW	29.96	33.00	14.62	16.95	6.63	12.58	54
HNF365JW HNF365SW	44.14	47.68	24.82	26.44	9.19	14.64	133
HF361RW	14.39	15.45	6.64	9.01	5.05	10.17	15
HNF361RW	11.11	12.31	6.64	9.01	5.05	10.17	13
HF362RW HNF362RW	16.26	17.46	10.43	11.53	5.05	10.17	20

Siemens Industry, Inc.
5400 Triangle Parkway
Norcross, GA 30092

1-800-241-4453
info.us@siemens.com

usa.siemens.com/switches

Subject to change without prior notice.
Order No: XXXX-XXXX-XXXX
All rights reserved.
Printed in USA
©2013 Siemens Industry, Inc.

The information provided in this brochure contains merely general descriptions or characteristics of performance which in case of actual use do not always apply as described or which may change as a result of further development of the products. An obligation to provide the respective characteristics shall only exist if expressly agreed in the terms of contract.

All product designations may be trademarks or product names of Siemens AG or supplier companies whose use by third parties for their own purposes could violate the rights of the owners.