

Siemens Industry, Inc.
 Norcross, GA 30092 U.S.A.
 For questions call 1-800-241-4453 or our web site:
<http://www.usa.siemens.com/powerdistribution>


Item: Replacement Load Base Kit
 Catalog Number HBB656

For use with: 400-600 Amp Fused
 VBII Safety Switches

Page 1

Pc. No. 508215A01

Installation Instructions for Replacement Load Base Kit



! DANGER

Hazardous voltage. Will cause death or serious injury.

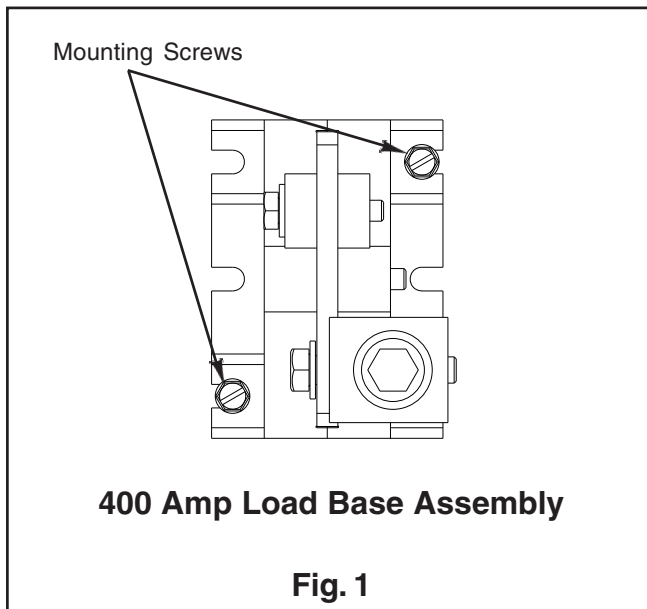
Turn off and lock out all power supplying this Safety Switch before installing kit.

Replace line shields and close cover before restoring power to switch.

! SAFETY INSTRUCTIONS

Note: This instruction outlines recommended installation procedure.

1. Turn OFF and lock out all power supplying the Safety Switch.
2. Turn the Safety Switch OFF.
3. Remove fuses.
4. Remove all load side conductors.



5. Remove the load base mounting screws and load base. **See Fig. 1 & 2.**
6. Position replacement load base over the holes in the enclosure that mounted the old base.
7. Install the thread-rolling screws supplied with kit and torque to 64 lb-ins. **See Fig. 1 & 2.**
8. Reinstall any accessory kits attached to the original load base assembly per the instructions included in this kit. These may include: Wire Grip Kit (CU), Class R Fuse Kit and Compression Lug Mounting Kit accessories.
9. Install load side conductors.
10. Install fuses.
11. Close cover before supplying power to this switch.

