

FOR USE WITH V/B 7.5", 10.0" SINGLE UNITS ON SERIES 5 OR 6 DISTRIBUTION SECTIONS, CDP-5, CDP-6, VB-5, VB-6, FCI, FCII, SB1, SB2 & SB3.

31-1158-01 Rev. 2

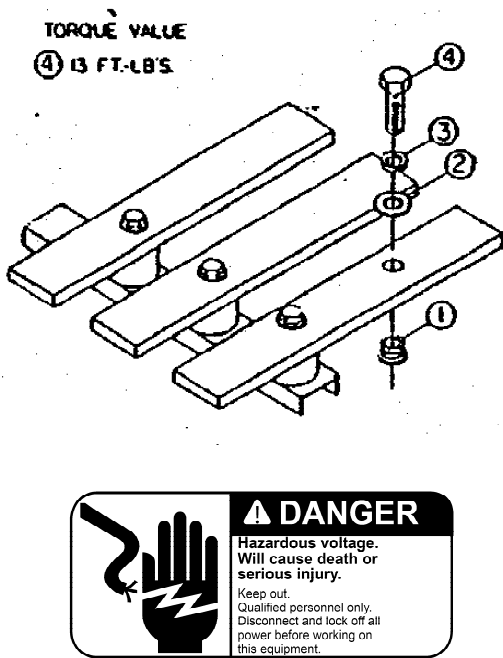
Apvd	SH	ITEM	DESCRIPTION	PC. NO.	QTY.
5-22-95		1	FUSIBLE SWITCH	CAT. NO. *	1
		2	VACU-BREAK BRANCH BUS	11-7025-01	3
		3	VACU-BREAK MOUNTING BRACKET	11-6043-01	4
		4	1/4-20 X 3/8 SHWSW	11-1553-02	8
		5	STRAP-BUS HARDWARE KIT	11-B-2022-03	1
		6			
		7			
		8			
		9			
		10			
		11	NEUTRAL LUG ASSEMBLY	12-B-2105-03	1
		12			
		13			
		14			
		15			
		16			
		17			
		18			
		19			
		20			
		21			
		22			
		23			
		24			
		25			
		26			
		27			
		28	SERIES 5 CONVERSION KIT	11-5570-01	1
		29	INSTRUCTION SHEET	31-1158-01	1
		30	CARTON LABEL	15-A-1027-01	1
		31	CARTON	48000989	1
		32			
		33			
		34			
		35			
		36			
		37			
		38	* 7 1/2" UNITS - FOR FUSIBLE SWITCH CAT. NOS.:		
		39	VZE2204, VZE3603		
		40	10" UNITS - FOR FUSIBLE SWITCH CAT. NOS.:		
		41	V7F3204, V7F3604		
		42			
		43			
		44	MERCHANDISE KIT NO. VB671		

Confidential - property of Siemens Industry, Inc. Building Technologies Division
 VACU-BREAK MOUNTING 200A SERIES 6 COPPER BRANCH BUS
 11-5074-04
 Title Sht. 1 Of 1 Rev. 4

IF EXISTING EQUIPMENT IS TYPE CDP-5, VB-5, OR FC20 THE VERTICAL BUS WILL BE PRE-PUNCHED WITH .406 DIAMETER HOLES, IN THESE CASES USE SERIES 5 ADAPTOR KIT FURNISHED WITH THIS KIT. SEE REVERSE SIDE FOR INSTRUCTIONS.

Siemens Industry, Inc. Building Technologies Division Norcross, GA

CAT. NO. VB671



FOR USE WITH CLE-6 FRAME ON SERIES 5 OR 6 DISTRIBUTION SECTIONS, CDP-5, CDP-6, VB-5, VB-6, FCI, FCII, SB1, SB2 & SB3.

Apvd	SH	ITEM	DESCRIPTION	PC. NO.	QTY.
6-15-92		1	5/16 INSERT	11-1620-04	6
		2	5/16 FLAT WASHER	11-1615-06	6
		3	5/16 LOCK WASHER	11-1618-04	6
		4	5/16-18 X 1 1/4 HHMS	11-1566-07	6
		5	FAST LATCH SCREW BAG	11-A-1821-01	1
		6	ID CARD	31-1160-01	1
		7			
		8			
		9			
		10			
		11			
		12			
		13			
		14			
		15			
		16			
		17			
		18			
		19			
		20			
		21			
		22			
		23			
		24			
		25			
		26			
		27			
		28			
		29			
		30			
		31			
		32			
		33			
		34			
		35	For use in adapting Series 6 Mounting Kits to be used in Series 5 type panel construction.		
		36			
		37	Series 5 construction has .406 dia. holes in interior horizontal bus.		
		38			
		39			
		40	(1) Use 5/16-18 insert in bus being certain that flange on insert is pulled up flush with back of bus bar.		
		41			
		42			
		43	(2) Drill out appropriate holes in branch bus minimum of .344 dia. to accommodate 5/16-18 bolts.		
		44			

Confidential - property of Siemens Industry, Inc. Building Technologies Division
 SERIES 5 ADAPTOR KIT
 11-5570-01
 Title Sht. 1 Of 1 Rev. 3

IF EXISTING EQUIPMENT IS TYPE CDP-6, VB-6, FCI OR FCII THE VERTICAL BUS WILL BE PRE-PUNCHED WITH .228 DIAMETER HOLES. IN THESE CASES USE SERIES 6 BRANCH BUS PARTS LIST ON REVERSE SIDE.

CAT. NO. VB671