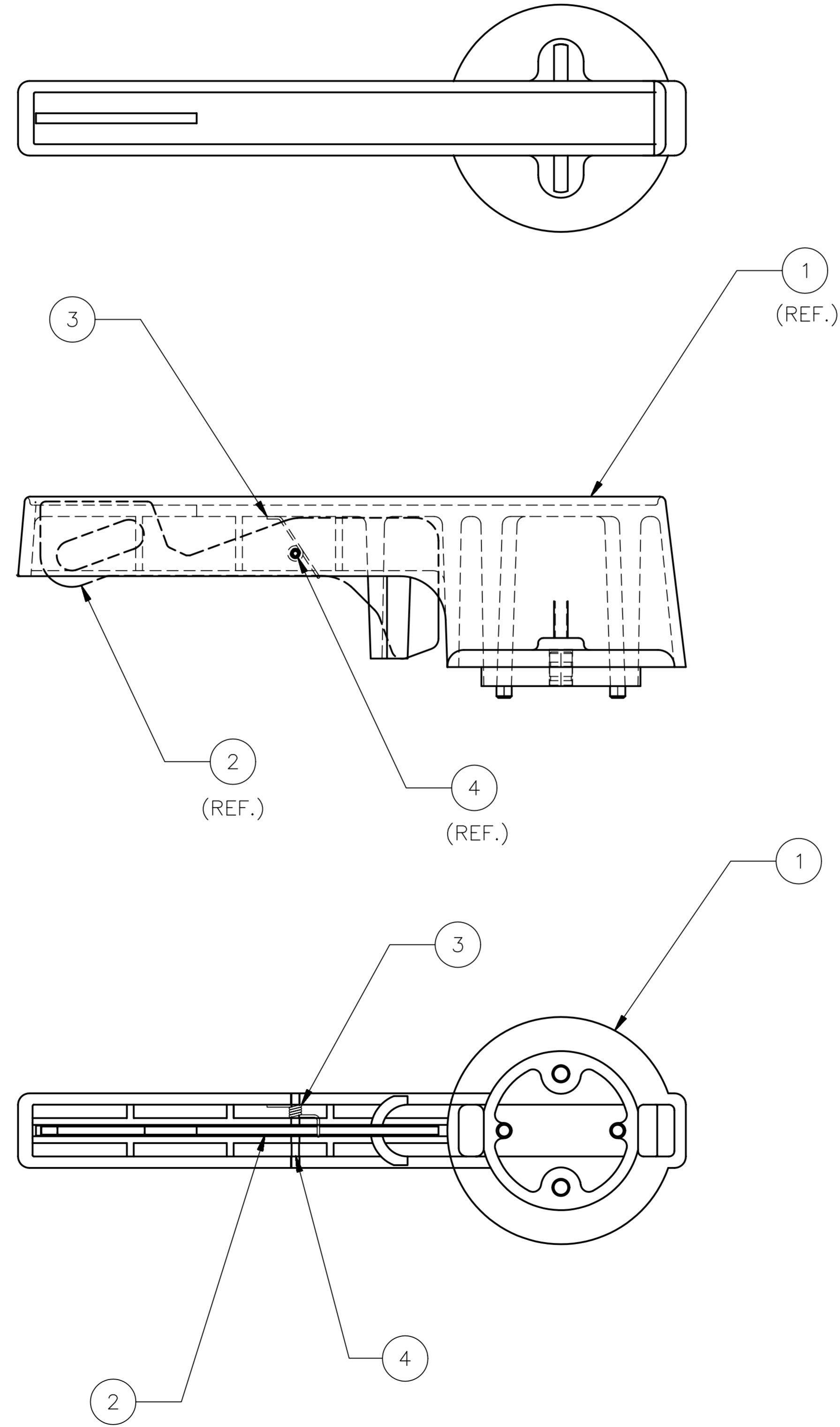


NOTES:

- THIS DRAWING IS DIMENSIONED IN ACCORDANCE WITH ANSI Y-14, 5M-1982 AND SIEMENS' DRAFTING PRACTICE MANUAL. DIMENSIONS ARE IN INCHES.
- ROLL PIN MUST BE COMPLETELY INSIDE HANDLE AFTER ASSEMBLY.

REVISIONS			
REV	DESCRIPTION	DATE	APPROVED
OP	NEW DRAWING.	5-11-93	ALH
1P	REVISED AND REDRAWN.	9-28-94	ALH
2P	DELETED ITEM 5, PETROL HANDLE INSERT(LABEL). ZN A4: REMOVED DEPICTION OF PART NO. FROM PICTURE.	5-8-95	ALH
3P	REVERSED P/N & DWG NO. COLUMNS IN BOM	PRJ 3-27-96	
4P	ECN#15255 REVISED ITEM 2 WAS 800913A01.	JULY1'99	FWP/JBR



Q'TY REQ'D	PART NO.	DRAWING NO.	DESCRIPTION	ITEM NO.
1	81921	L-56148	ROLL PIN (3/32" DIA. x 3/4" LG.)	5
1	801022C00	801022	SPRING, LOCKING PLATE	4
1	800913A02	800913	HANDLE LOCKING PLATE	3
1	801023A00	801023	HANDLE	2
1	801023A00	801023	HANDLE	1

800925K00	PARTS LIST			
	CONFIDENTIAL - PROPERTY OF SIEMENS ENERGY & AUTOMATION, INC.			
	UNLESS OTHERWISE SPECIFIED DIMENSIONS ARE IN INCHES		Siemens Energy & Automation, Inc. <small>Circuit Protection & Controls Division</small>	
	TOLERANCES: .XX ±.01 .XXX ±.005 ANGULAR ±1/2° DO NOT SCALE DRAWING		HANDLE ASSEMBLY PANEL BOARD UNIT	
DWN	H. RUSSELL	DATE	9/28/94	
CHK	A. HALL	DATE	9/28/94	
APVD	A. HALL	DATE	9/28/94	
SIZE	D	FSCM NO.		
DWG NO.	800925		REV 4P	
SCALE	1/1	SHEET	1 OF 1	