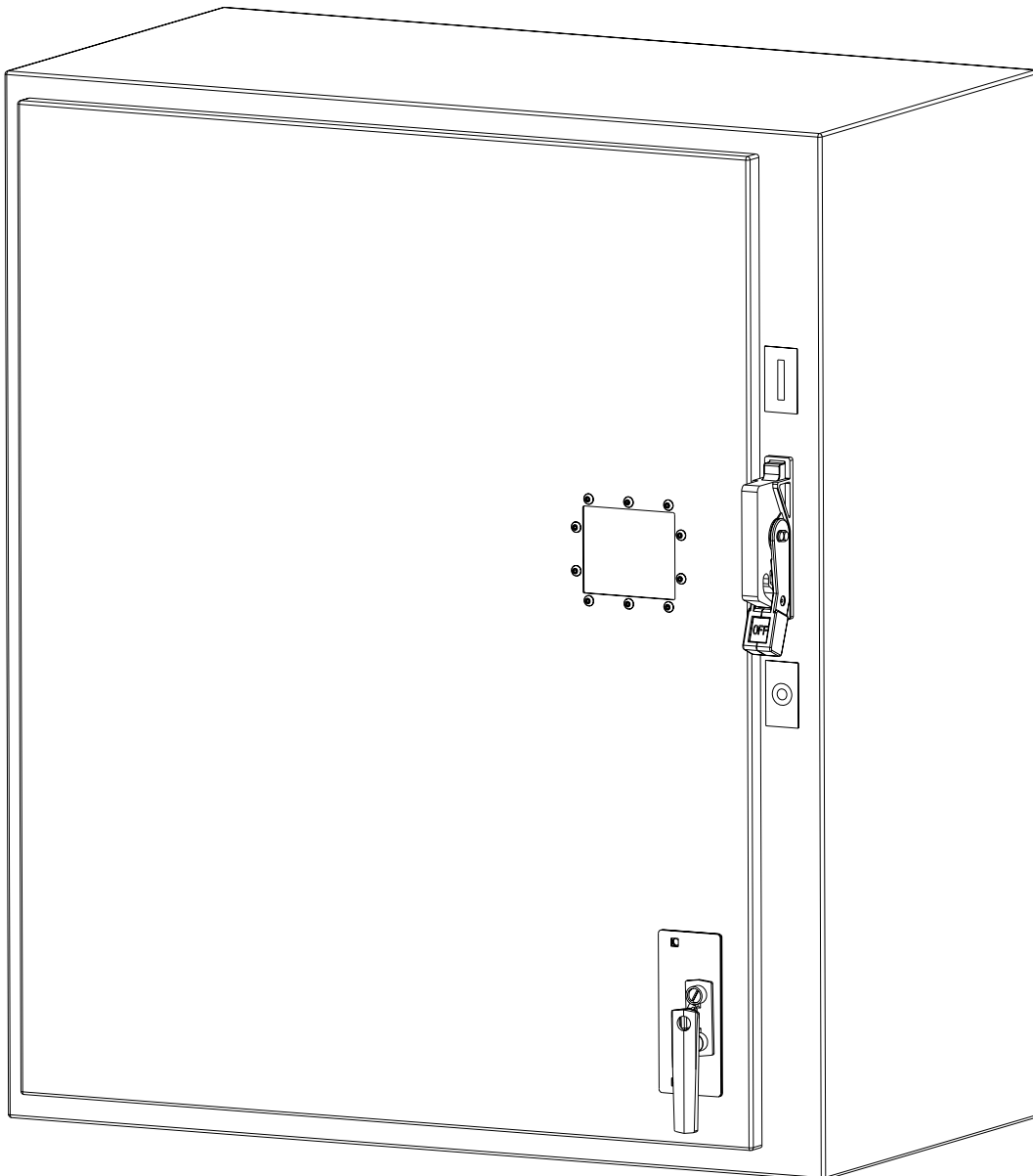


Window Kit

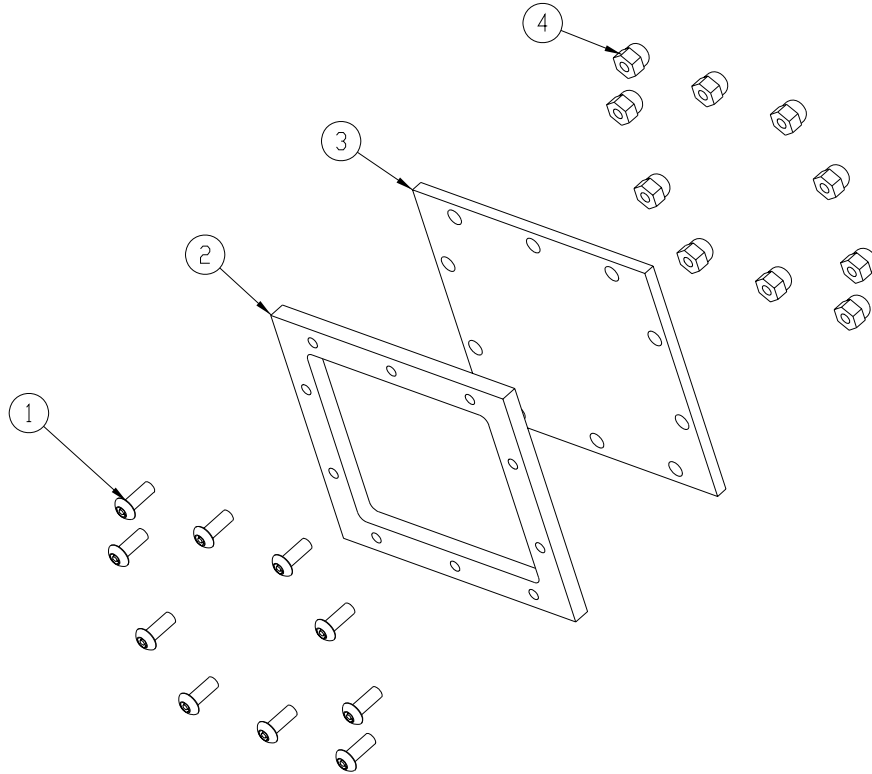
Installation Instructions

	 Danger	 Peligro	 Danger
	<p>Hazardous Voltage. Will cause death or serious injury.</p> <p>Turn off and lock out all power supplying this device before working on this device. Replace all covers before power supplying this device is turned on.</p>	<p>Tensión peligrosa. Puede causar la muerte o lesiones graves.</p> <p>Desenergice totalmente antes de instalar o darle servicio. Reemplace todas las barreras y cubiertas antes de energizar el interruptor.</p>	<p>Tension dangereuse. Danger de mort ou risque de blessures graves.</p> <p>Couper l'alimentation de l'appareil et barrer avant de travailler. Remplacez tous les couverts avant que l'approvisionnement de pouvoir soit alimenté.</p>



	<p>⚠ Danger Hazardous Voltage. Will cause death or serious injury.</p>	<p>⚠ Peligro Tensión peligrosa. Puede causar la muerte o lesiones graves.</p>	<p>⚠ Danger Tension dangereuse. Danger de mort ou risque de blessures graves.</p>
	<p>Turn off and lock out all power supplying this device before working on this device. Replace all covers before power supplying this device is turned on.</p>	<p>Desenergice totalmente antes de instalar o darle servicio. Reemplace todas las barreras y cubiertas antes de energizar el interruptor.</p>	<p>Couper l'alimentation de l'appareil et barrer avant de travailler. Remplacez tous les couverts avant que l'alprovisionnement de pouvoir soit alimenté.</p>

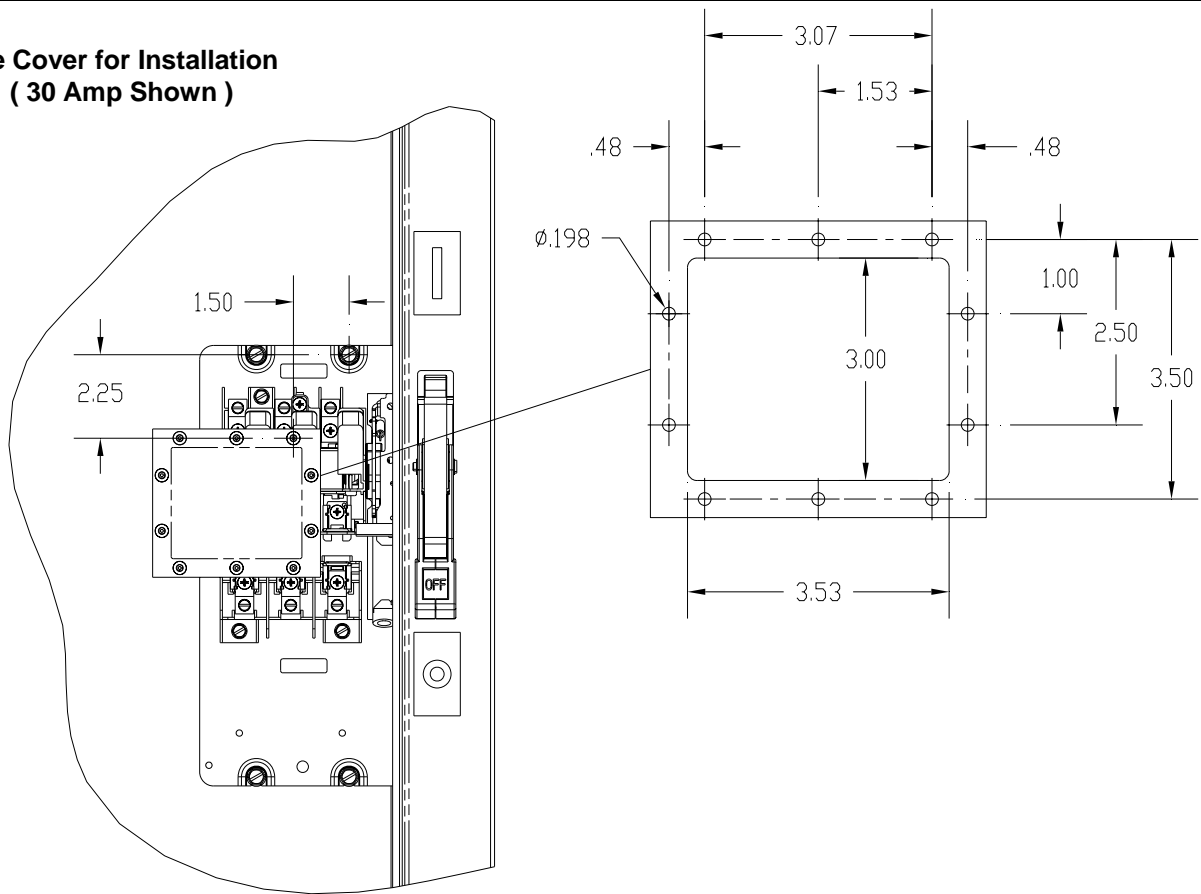
Part Index:



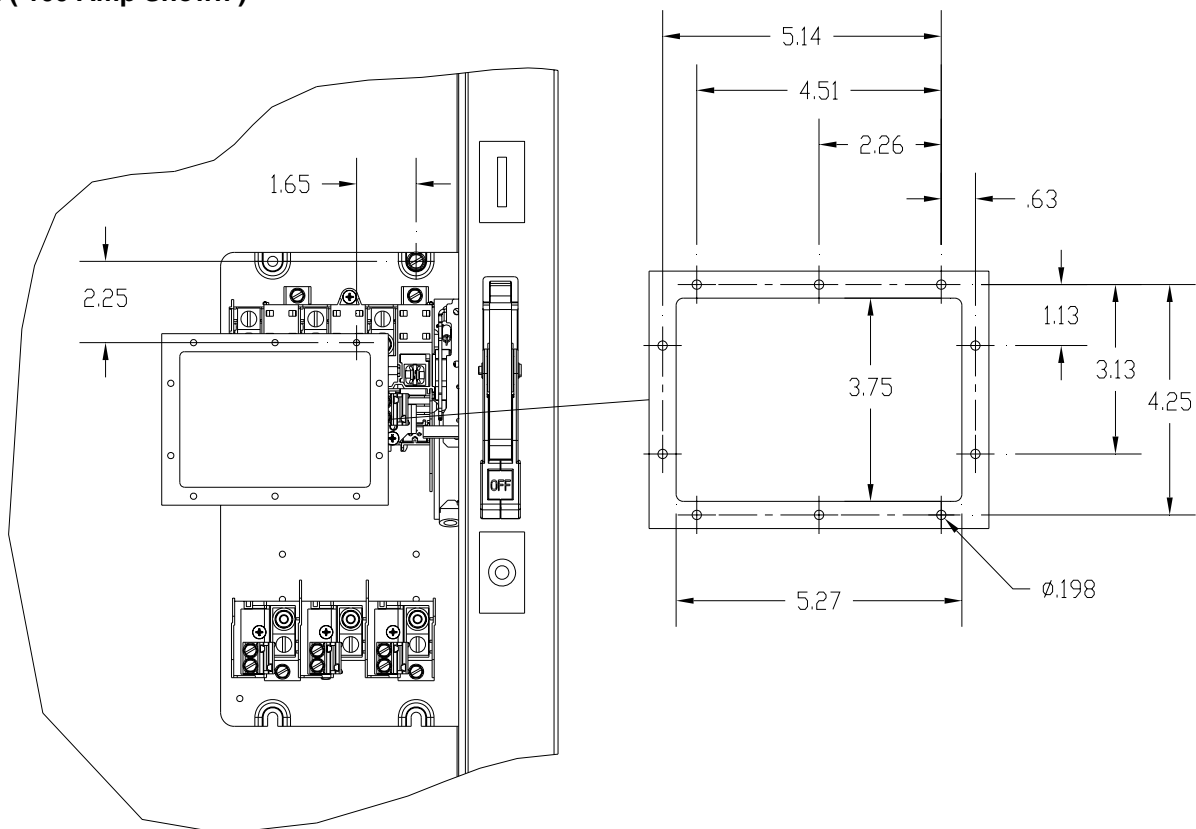
Catalog Numbers	Component	Index	QTY
VBWK1 VBWK2	Screw, 10-32 X 5/8, Stainless with sealing head	1	10
	Gasket	2	1
	Window	3	1
	Cap Nut	4	10

Catalog Numbers	Component	Index	QTY
VBWK3	Screw, 10-32 X 5/8, Stainless with sealing head	1	14
	Gasket	2	1
	Window	3	1
	Cap Nut	4	14

**Prepare Cover for Installation
VBWK1 (30 Amp Shown)**



**Prepare Cover for Installation
VBWK2 (100 Amp Shown)**





Danger

Hazardous Voltage.
Will cause death or serious injury.

Turn off and lock out all power supplying this device before working on this device.
Replace all covers before power supplying this device is turned on.



Peligro

Tensión peligrosa.
Puede causar la muerte o lesiones graves.

Desenergice totalmente antes de instalar o darle servicio.
Reemplace todas las barreras y cubiertas antes de energizar el interruptor.

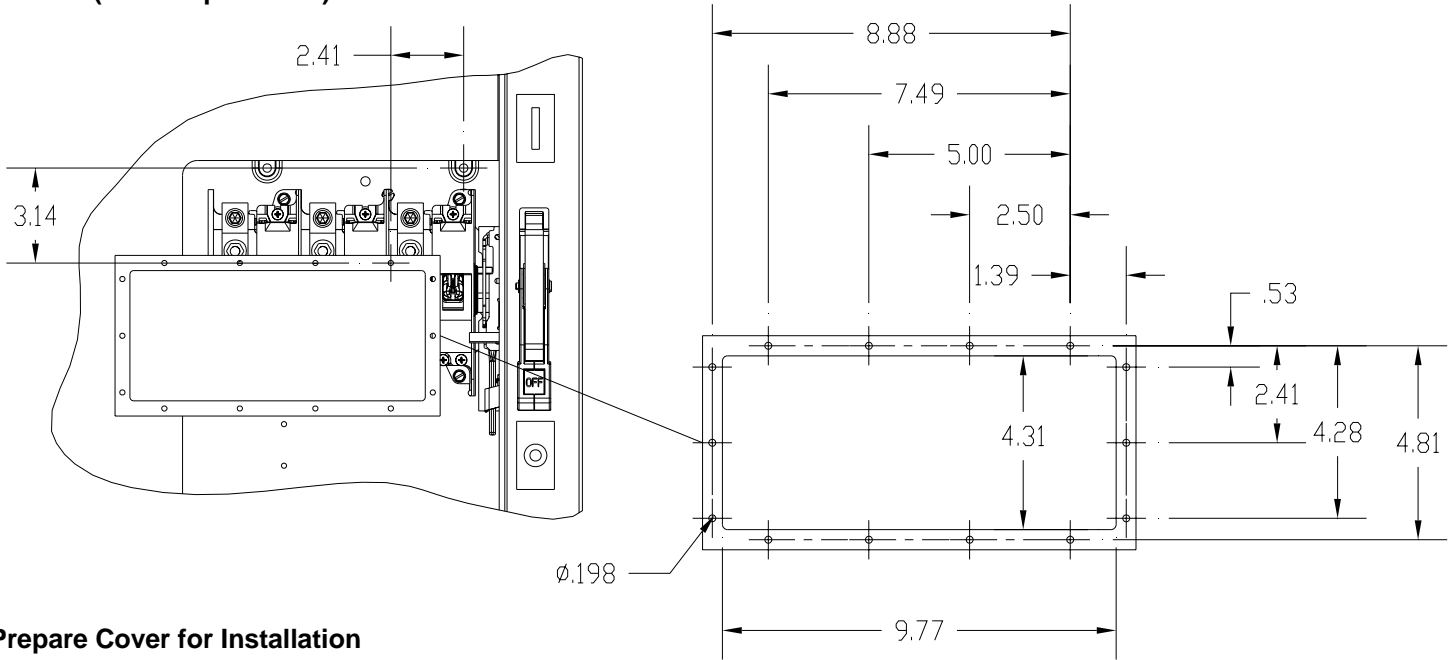


Danger

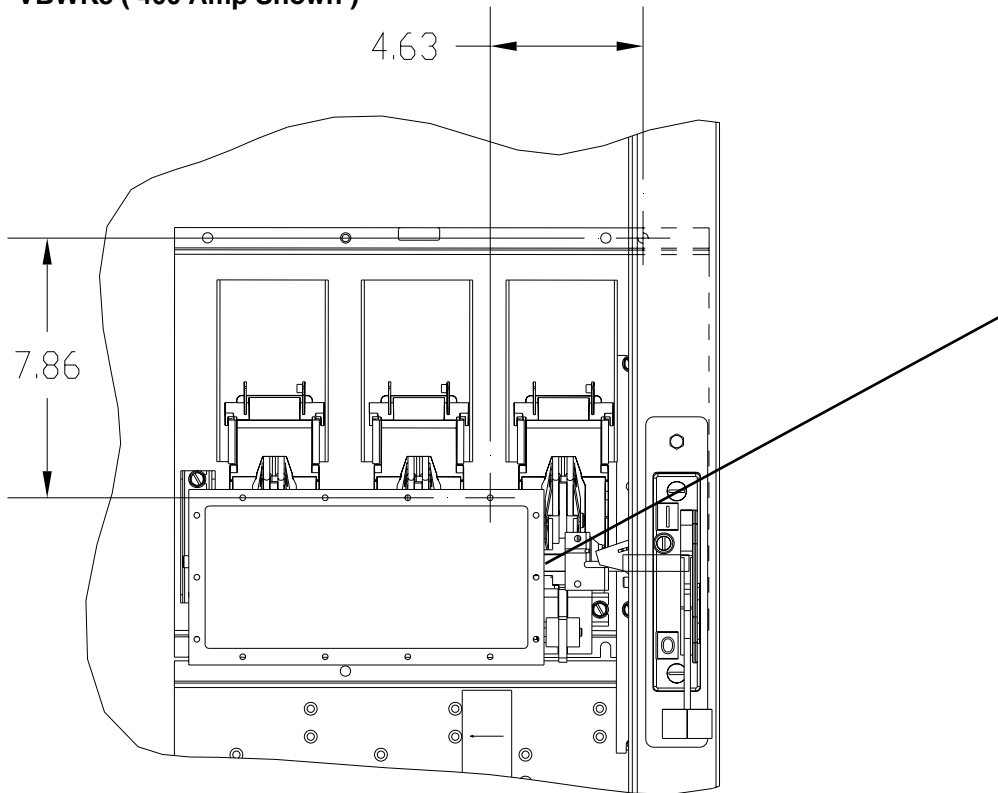
Tension dangereuse.
Danger de mort ou risque de blessures graves.

Couper l'alimentation de l'appareil et barrer avant de travailler.
Remplacez tous les couverts avant que l'alimentation de pouvoir soit alimenté.

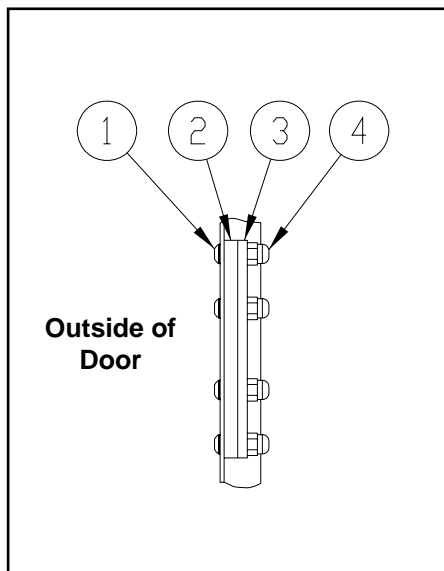
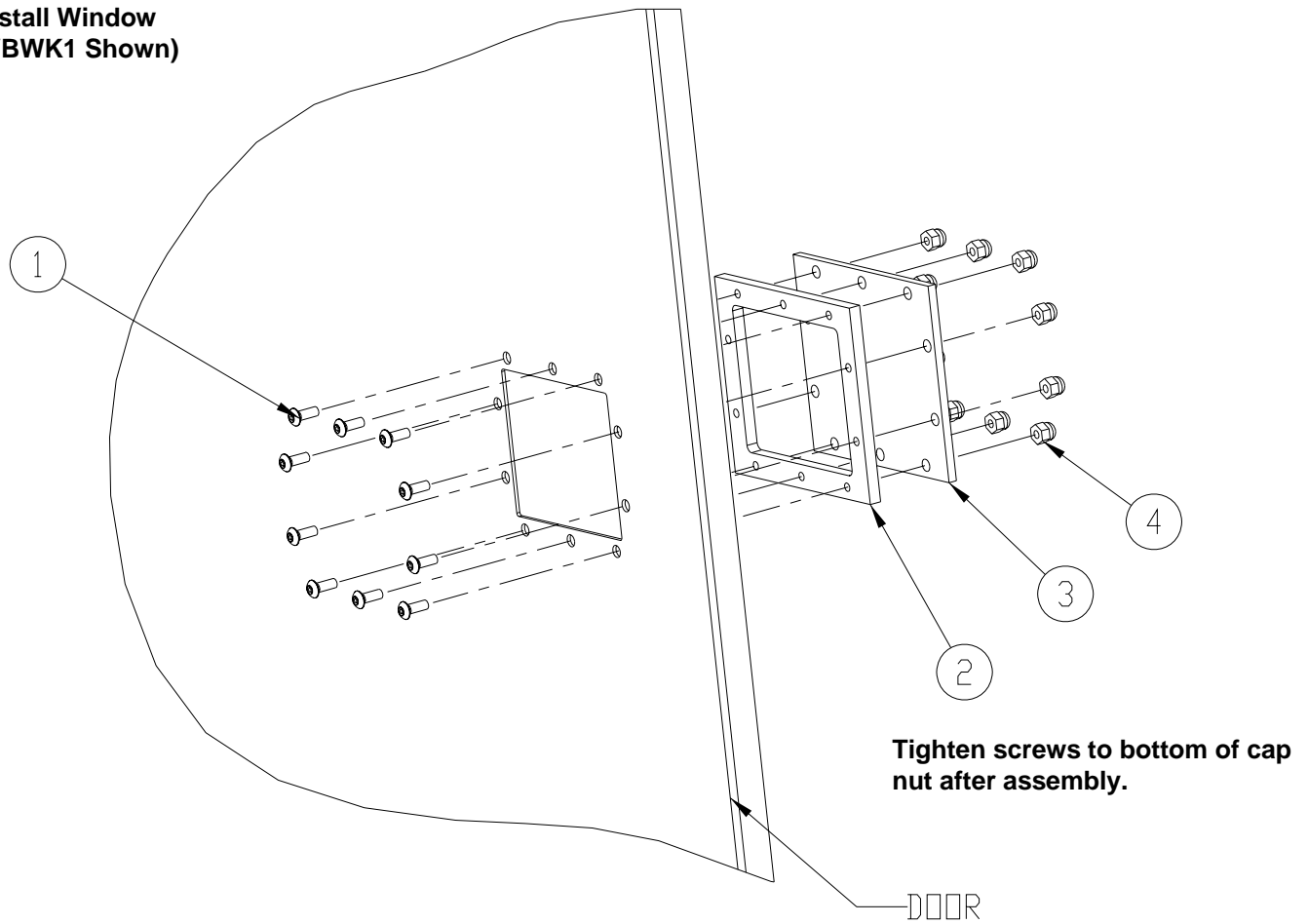
**Prepare Cover for Installation
VBWK3 (200 Amp Shown)**



**Prepare Cover for Installation
VBWK3 (400 Amp Shown)**



**Install Window
(VBWK1 Shown)**



NOTE:

- 1) **Maximum door thickness .079**
- 2) **Window is made of a HYZOD GP / MAKROLON GP polycarbonate material. See <http://www.sheffieldplastics.com> for cleaning instructions and chemical resistances.**

Technical Support:

Toll Free: 1-800-241-4453

Internet: <http://www.sea.siemens.com/power>