

Shaft Driven Disconnect Switch

Item:

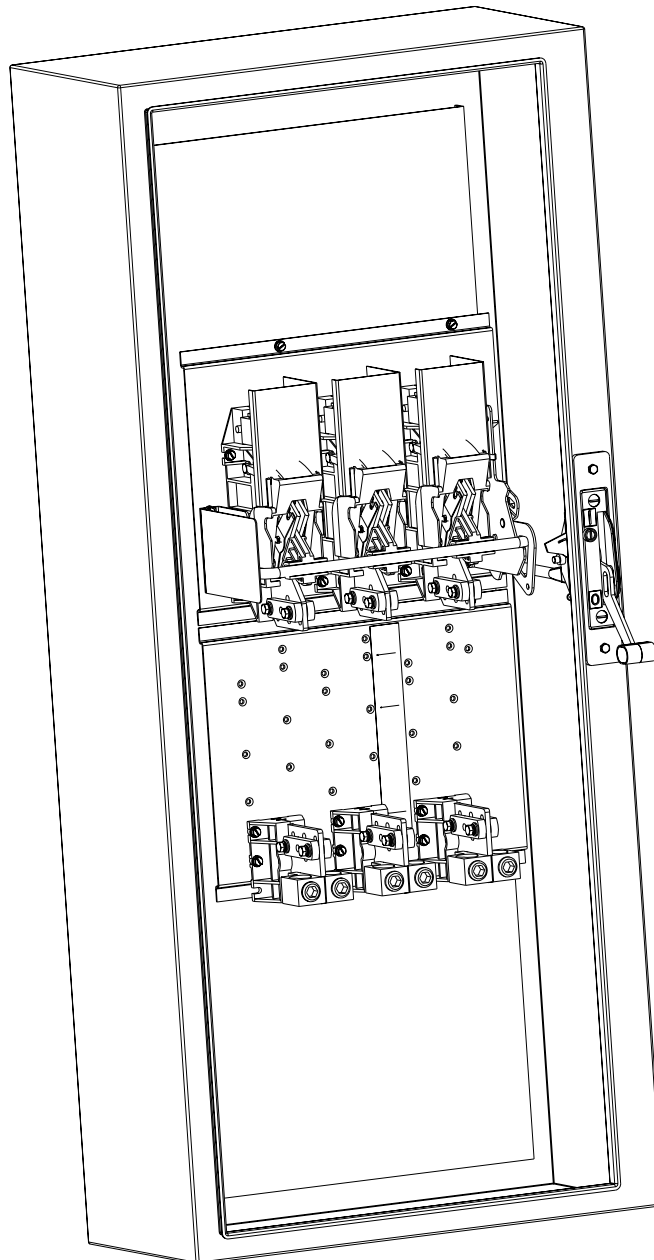
Panel Mounted Disconnect Switch		Linkage Kit	Handle Kit
VBFS365	VBNFS365	VBLK4	VBH2

One Panel Mounted Disconnect Switch, one Linkage Kit and one Handle Kit required for complete assembly.

Installation Instructions

IMPORTANT: These instructions are only for use with Type 1/12 handle catalog number VBH2

⚠ Danger	⚠ Peligro	⚠ Danger
 <p>Hazardous Voltage. Will cause death or serious injury.</p>	 <p>Tensión peligrosa. Puede causar la muerte o lesiones graves.</p>	 <p>Tension dangereuse. Danger de mort ou risque de blessures graves.</p>
 <p>Turn off and lock out all power supplying this device before working on this device. Replace all covers before power supplying this device is turned on.</p>	<p>Desenergice totalmente antes de instalar o darle servicio. Reemplace todas las barreras y cubiertas antes de energizar el interruptor.</p>	<p>Couper l'alimentation de l'appareil et barrer avant de travailler. Remplacez tous les couverts avant que l'approvisionnement de pouvoir soit alimenté.</p>



**Danger**

Hazardous Voltage.
Will cause death or serious injury.

Turn off and lock out all power supplying this device before working on this device.
Replace all covers before power supplying this device is turned on.

Peligro

Tensión peligrosa.
Puede causar la muerte o lesiones graves.

Desenergice totalmente antes de instalar o darle servicio.
Reemplace todas las barreras y cubiertas antes de energizar el interruptor.

Danger

Tension dangereuse.
Danger de mort ou risque de blessures graves.

Couper l'alimentation de l'appareil et barrer avant de travailler.
Remplacez tous les couverts avant que l'approvisionnement de pouvoir soit alimenté.

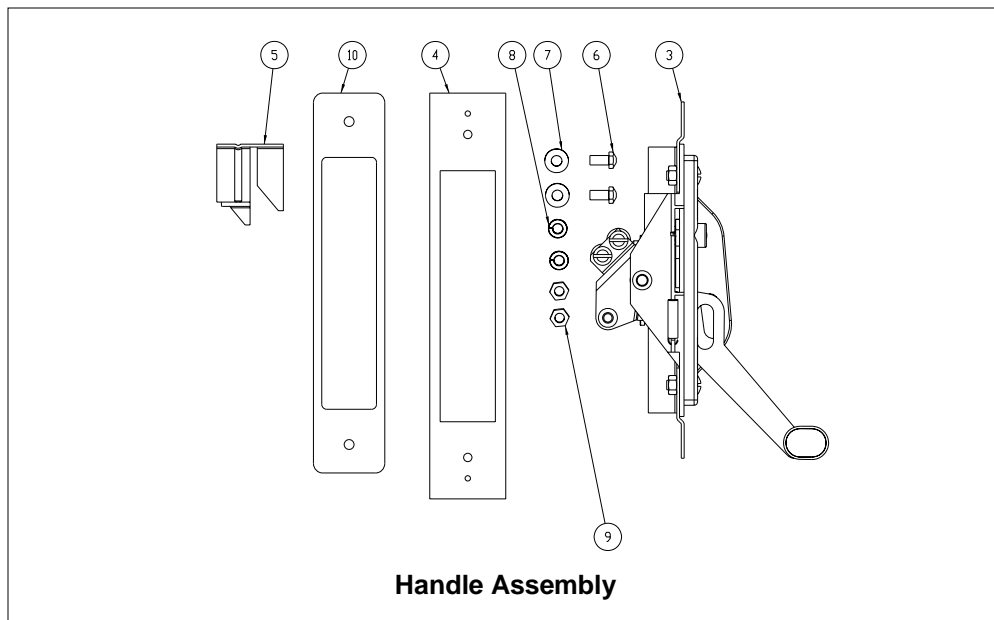
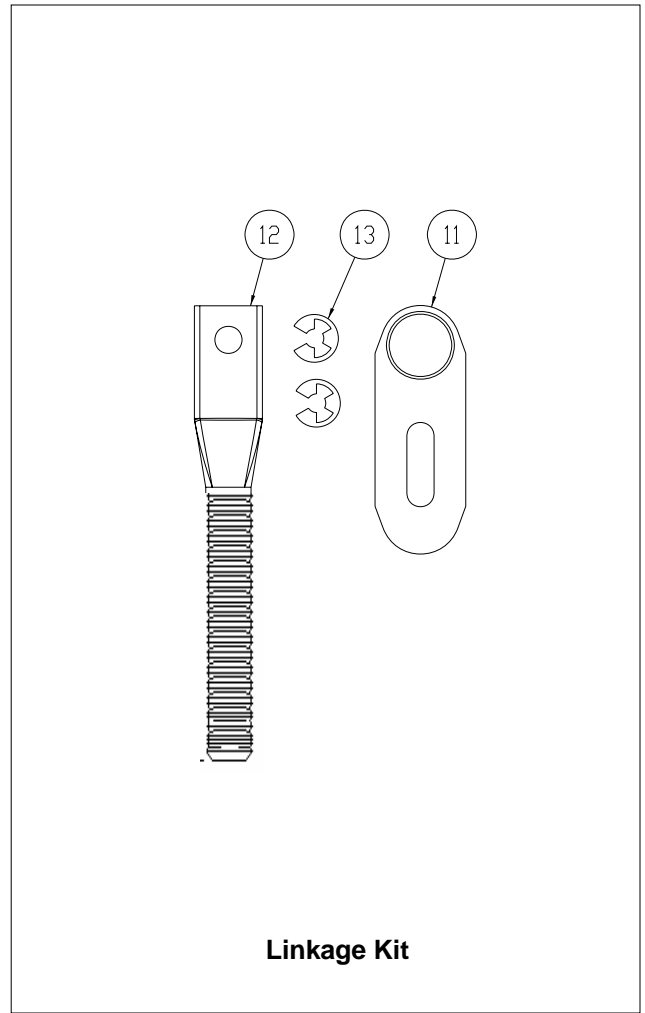
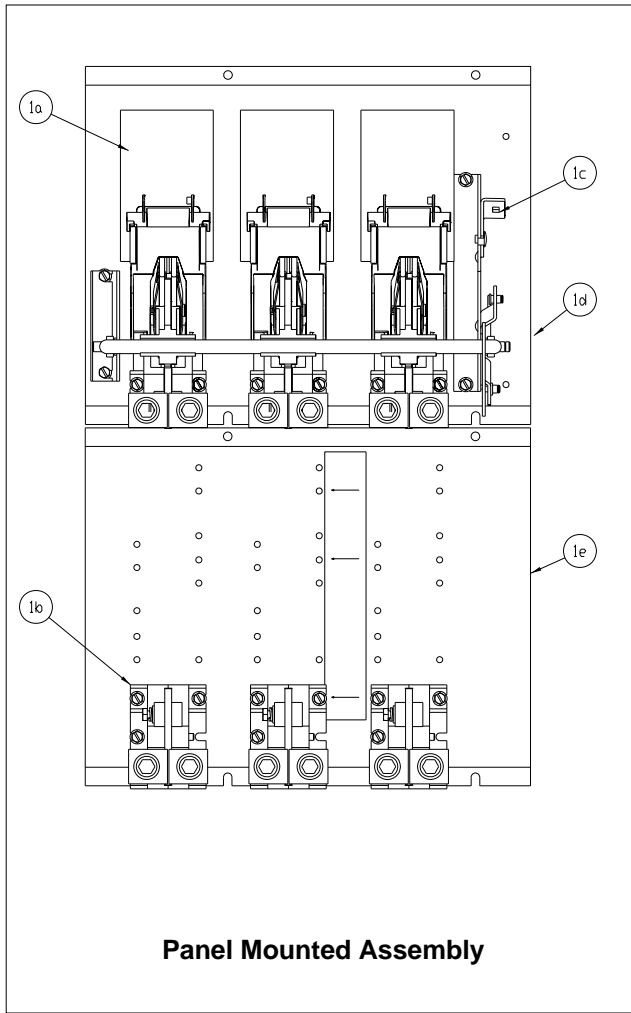


Panel Mount Assembly			
Catalog Numbers	Component	Index	QTY
VBFS365 VBNFS365	Linebase (factory installed)	1a	1
	Loadbase (factory installed - Fused Only)	1b	1
	Mechanism (factory installed)	1c	1
	Mounting Pan (line base)	1d	1
	Mounting Pan (load base – Fused Only)	1e	1
	Screw, 1/4-20 x 1/2 (not shown)	2	4 (8)

Linkage Kit			
Catalog Numbers	Component	Index	QTY
VBLK4	Driver Plate	11	1
	Threaded Rod	12	1
	E-Ring, 1/4"	13	2

Handle Kit			
Catalog Numbers	Component	Index	QTY
VBH2	Handle	3	1
	Cover Gasket	4	1
	Cover Catch	5	1
	Screw, 1/4-20 x 3/4, hex head cap	6	1
	Flat washer 1/4"	7	1
	Lockwasher, 1/4"	8	1
	Nut, 1/4-20	9	2
	Cover Plate	10	2

¹ Quantity of mounting screws, (), for fused switches only.





⚠ Danger

Hazardous Voltage.
Will cause death or serious injury.

Turn off and lock out all power supplying this device before working on this device.
Replace all covers before power supplying this device is turned on.



⚠ Peligro

Tensión peligrosa.
Puede causar la muerte o lesiones graves.

Desenergice totalmente antes de instalar o darle servicio.
Reemplace todas las barreras y cubiertas antes de energizar el interruptor.

⚠ Danger

Tension dangereuse.
Danger de mort ou risque de blessures graves.

Couper l'alimentation de l'appareil et barrer avant de travailler.
Remplacez tous les couverts avant que l'alimentation de pouvoir soit alimenté.

Minimum Enclosure Size²

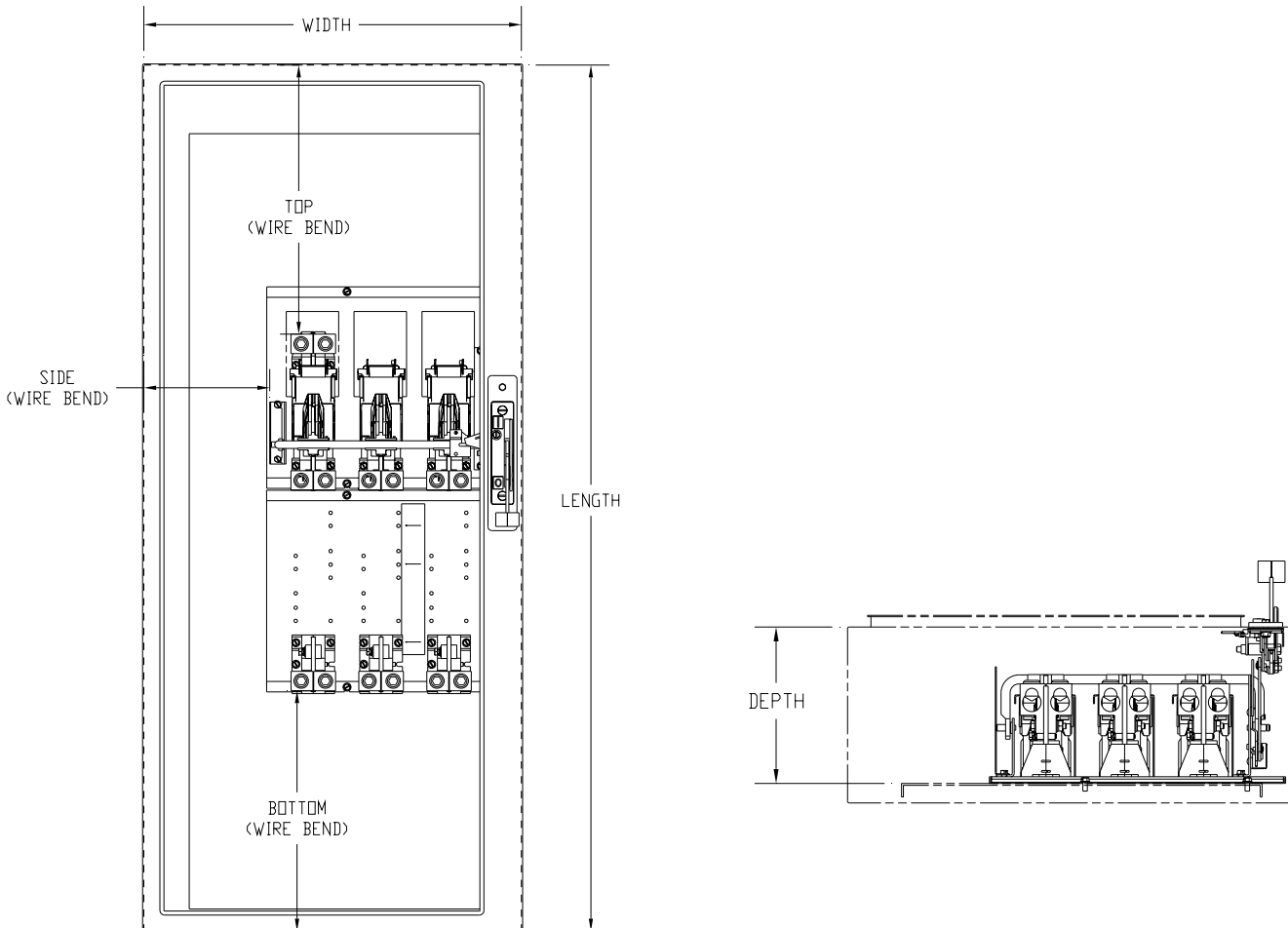
CATALOG NO.	AMPERAGE	DESCRIPTION	LENGTH	WIDTH	DEPTH
VBFS365	400	FUSIBLE	56.00	25.13	8.69
VBNFS365	400	NON-FUSIBLE	44.00	25.13	8.69

Minimum Wire Bend¹

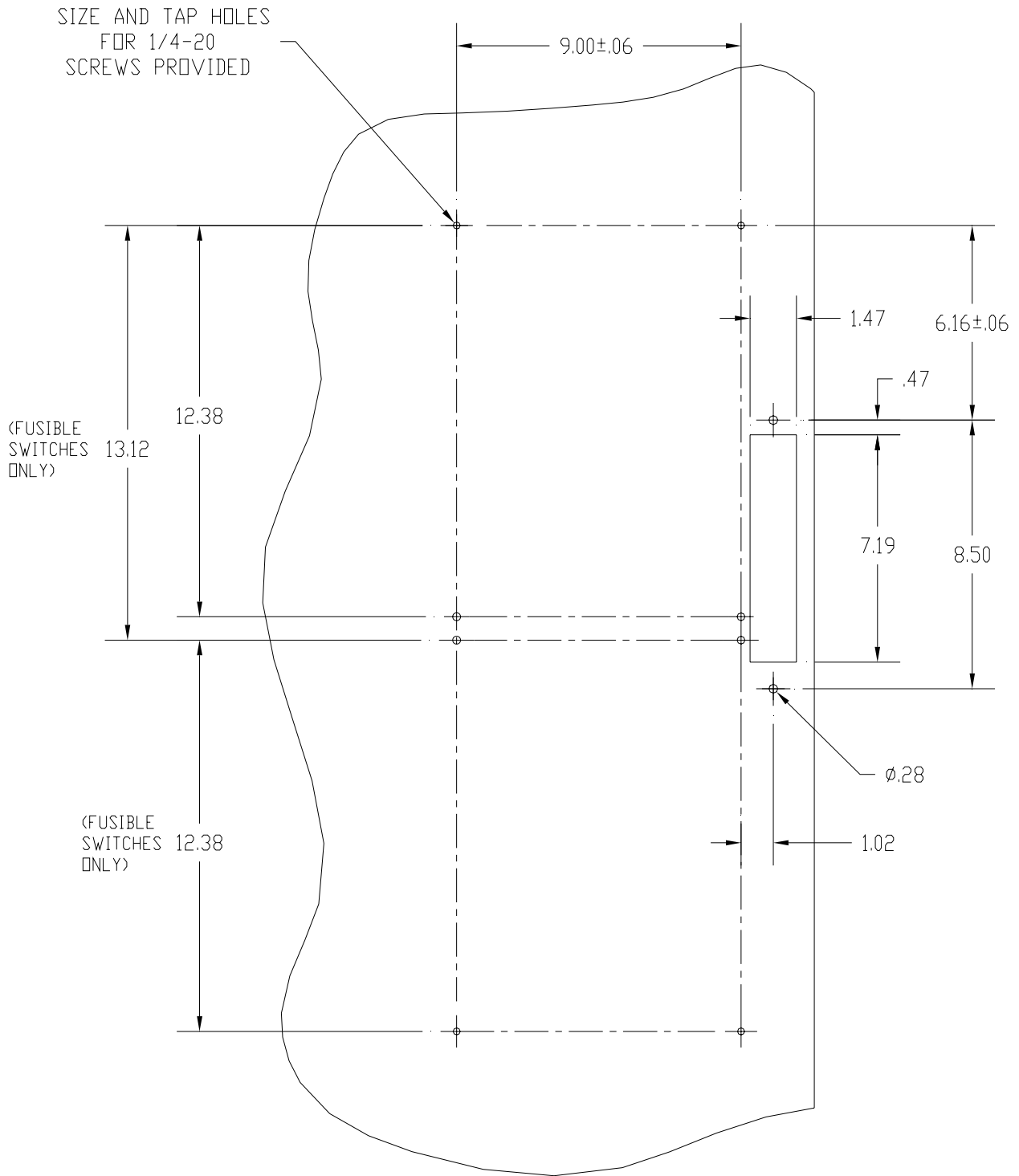
CATALOG NO.	AMPERAGE	DESCRIPTION	WIRE SIZE (AWG or kcmil)	TOP (Min)	BOTTOM (Min)	SIDE (Min)
VBFS365 / VBNFS365	400	FUSIBLE / NON-FUSIBLE	(1) 1/0 AWG – 750 kcmil (2) 1/0 AWG – 250 kcmil	14.00	14.00	8.00

¹ Wire bend dimensions shown allow the full use of the switch wire range to be used. Any decrease in these dimensions will limit the wire range. See the NEC for additional information and requirements.

² All dimensions are in inches.



Switch Mounting and Handle Mounting / Cut-out Dimensions





⚠ Danger

Hazardous Voltage.
Will cause death or serious injury.

Turn off and lock out all power supplying this device before working on this device.
Replace all covers before power supplying this device is turned on.

⚠ Peligro

Tensión peligrosa.
Puede causar la muerte o lesiones graves.

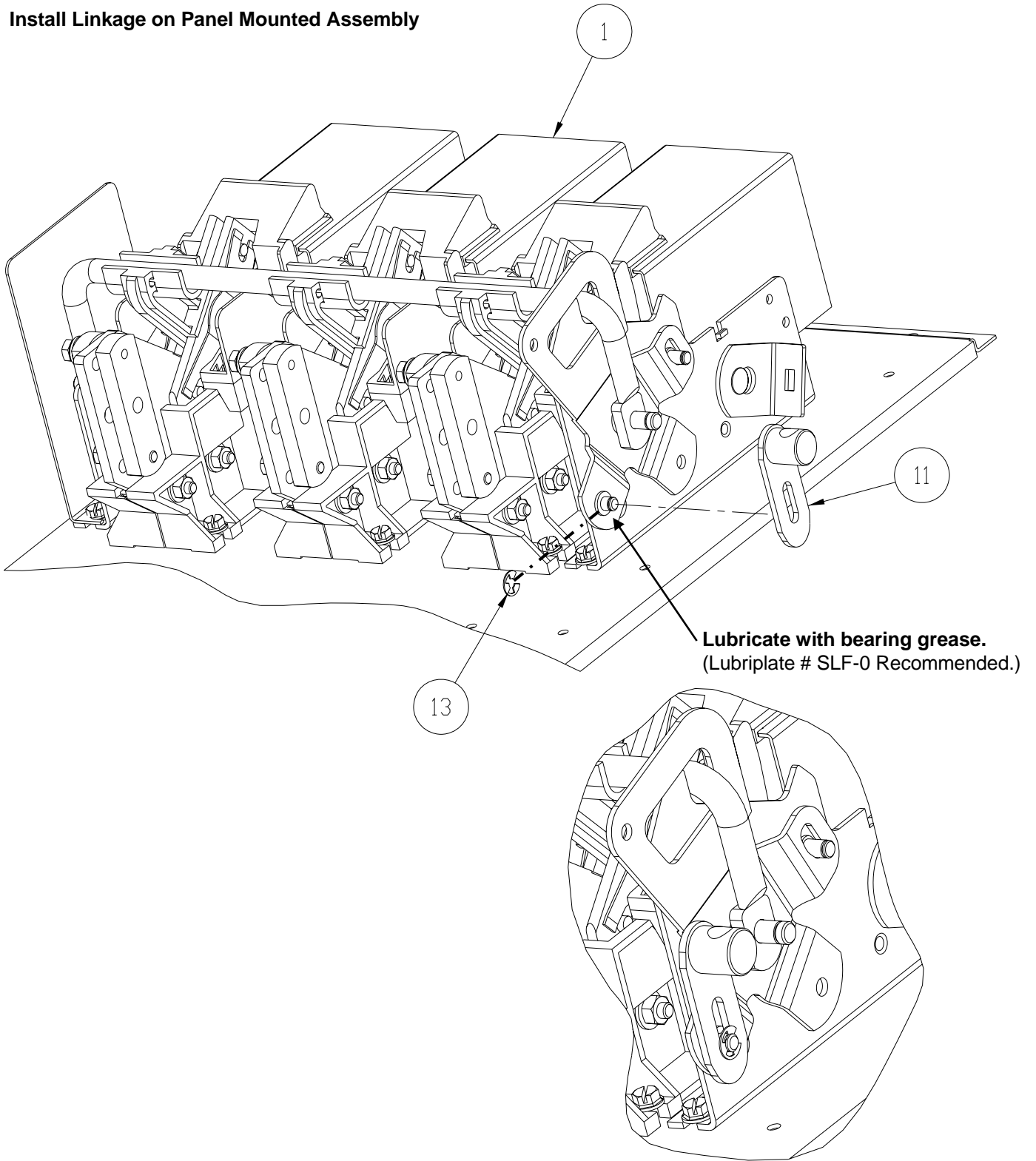
Desenergice totalmente antes de instalar o darle servicio.
Reemplace todas las barreras y cubiertas antes de energizar el interruptor.

⚠ Danger

Tension dangereuse.
Danger de mort ou risque de blessures graves.

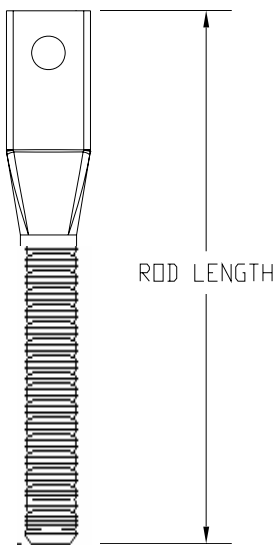
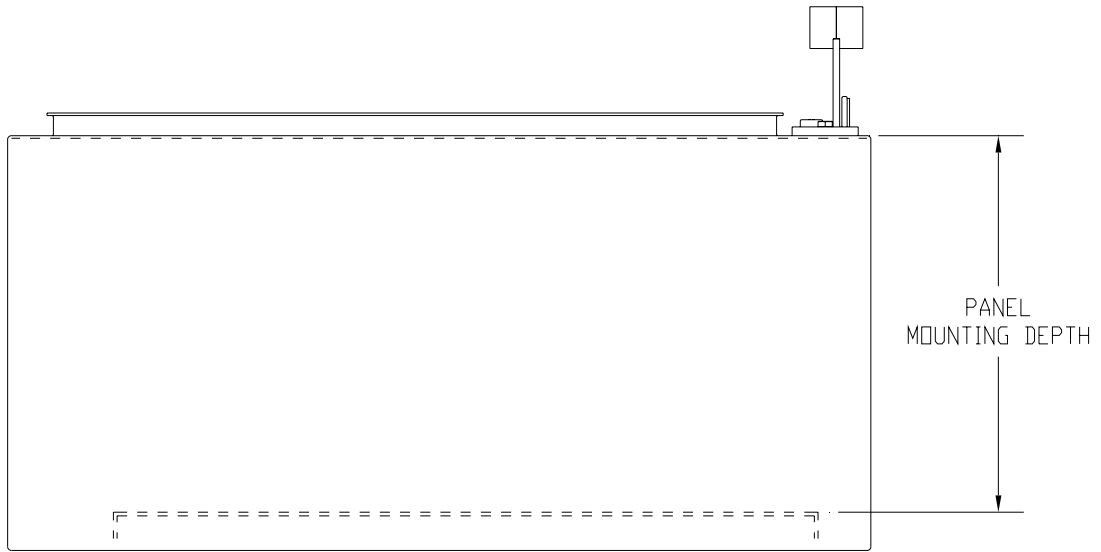
Couper l'alimentation de l'appareil et barrer avant de travailler.
Remplacez tous les couverts avant que l'approvisionnement de pouvoir soit alimenté.

Install Linkage on Panel Mounted Assembly



E-Ring Installed

Prepare Threaded Rod



Rod Length = Panel Mounting Depth – 4.12”



⚠ Danger

Hazardous Voltage.
Will cause death or serious injury.

Turn off and lock out all power supplying this device before working on this device.
Replace all covers before power supplying this device is turned on.



⚠ Peligro

Tensión peligrosa.
Puede causar la muerte o lesiones graves.

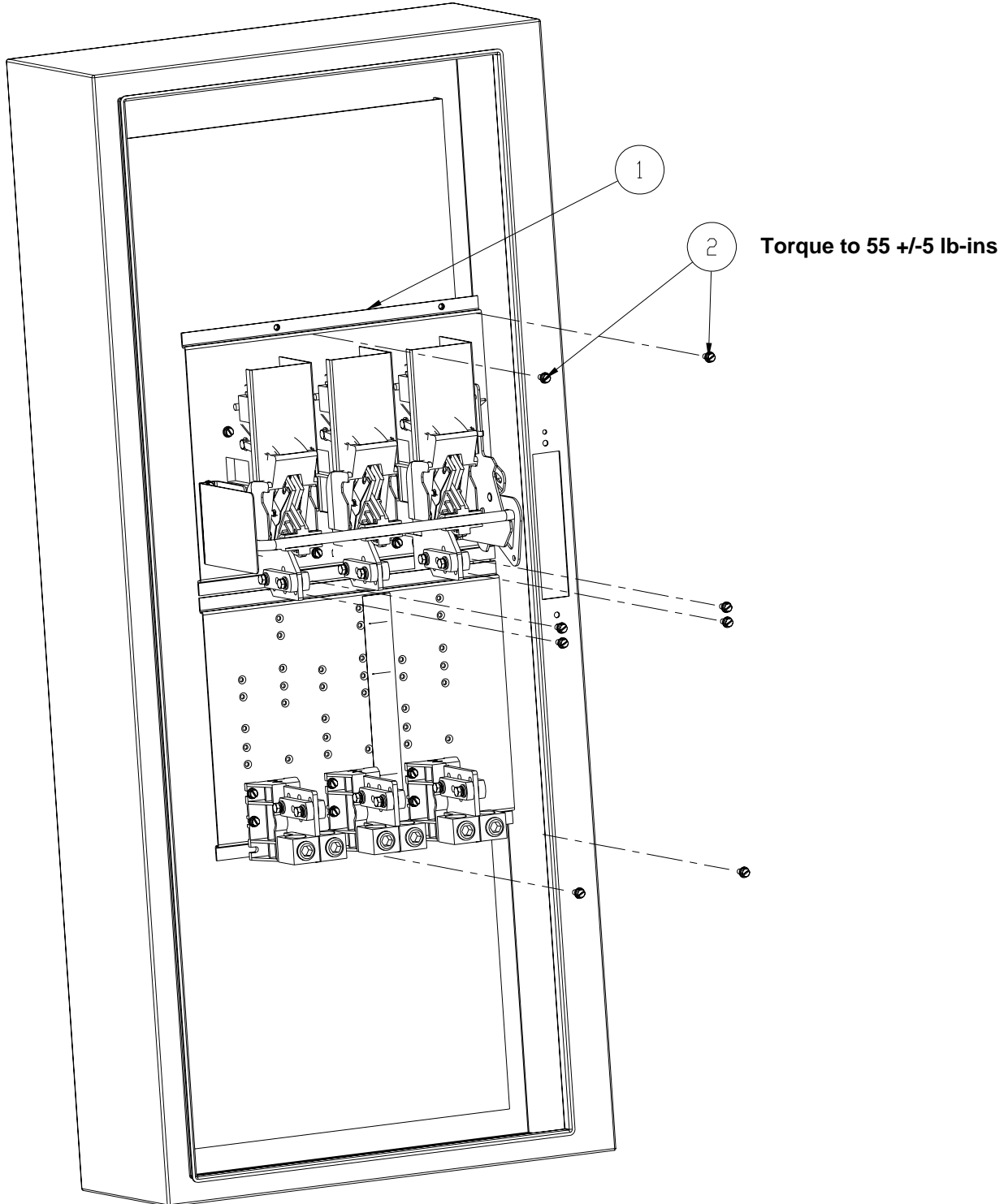
Desenergice totalmente antes de instalar o darle servicio.
Reemplace todas las barreras y cubiertas antes de energizar el interruptor.

⚠ Danger

Tension dangereuse.
Danger de mort ou risque de blessures graves.

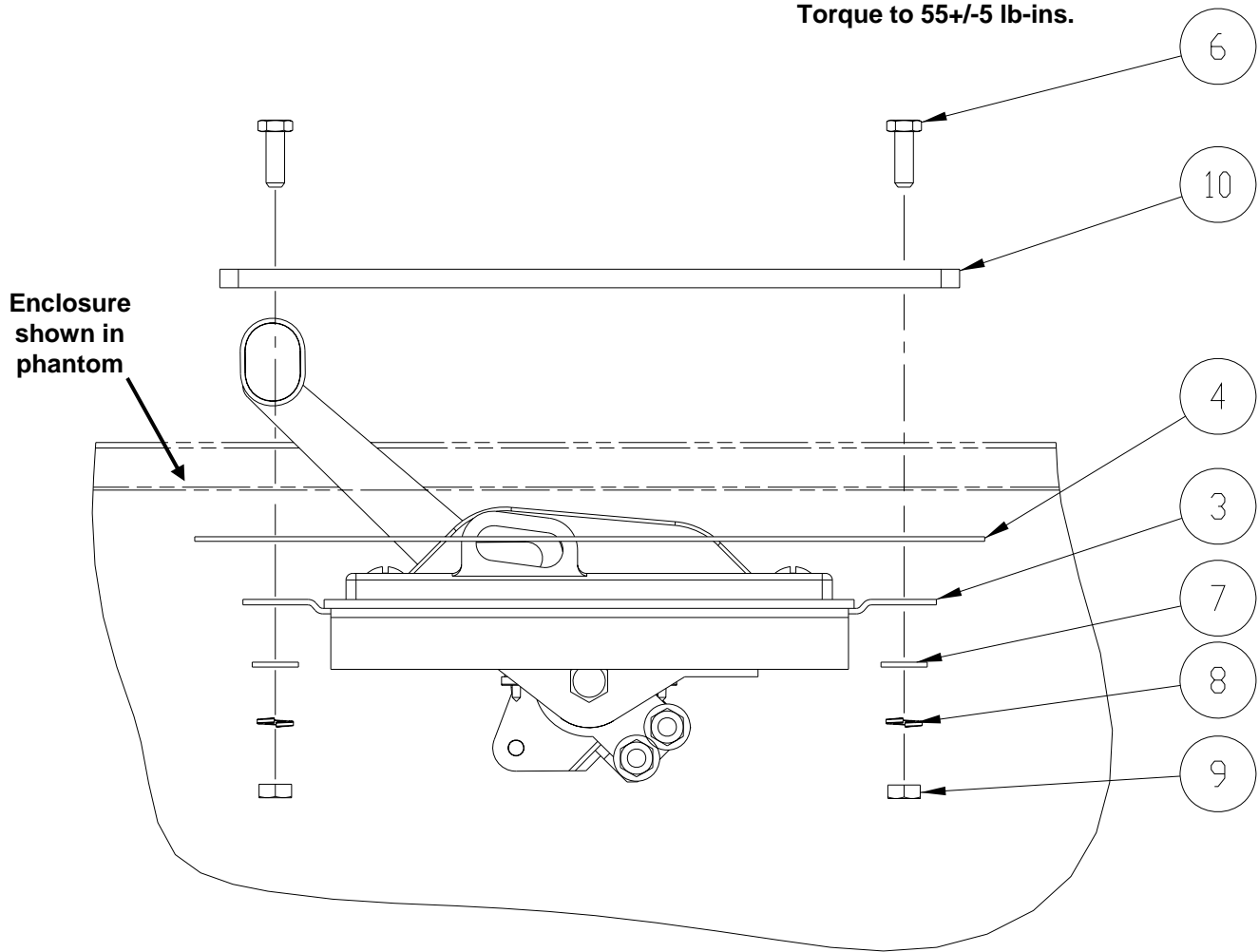
Couper l'alimentation de l'appareil et barrer avant de travailler.
Remplacez tous les couverts avant que l'approvisionnement de pouvoir soit alimenté.

Install Panel Mounted Assembly



Install Handle Assembly

Torque to 55+/-5 lb-ins.





⚠ Danger

Hazardous Voltage.
Will cause death or serious injury.
Turn off and lock out all power supplying this device before working on this device.
Replace all covers before power supplying this device is turned on.

⚠ Peligro

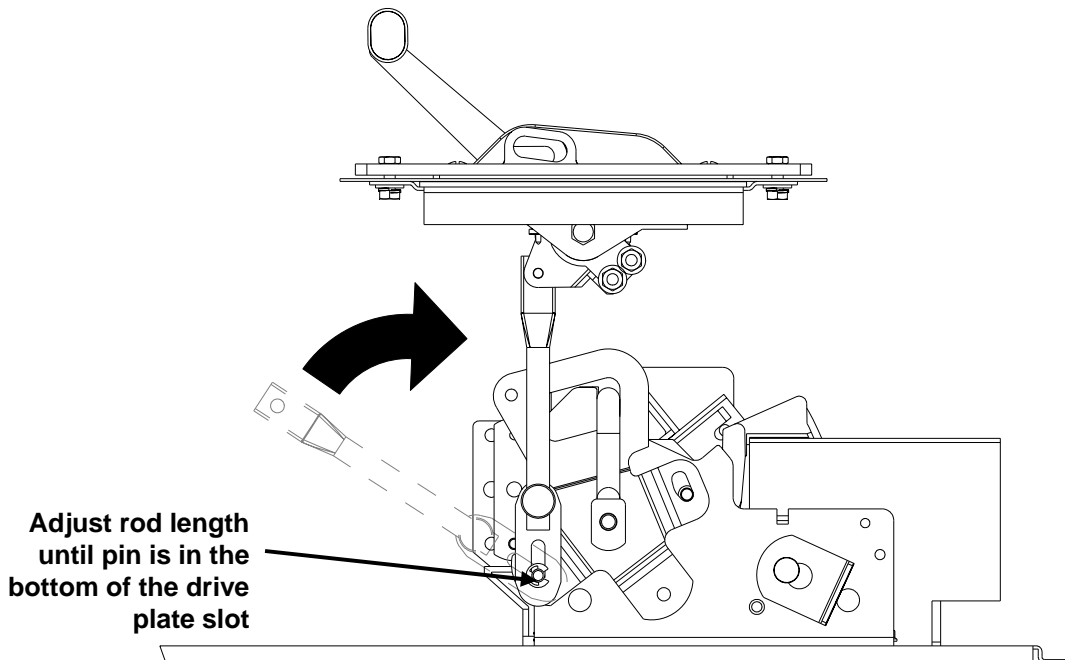
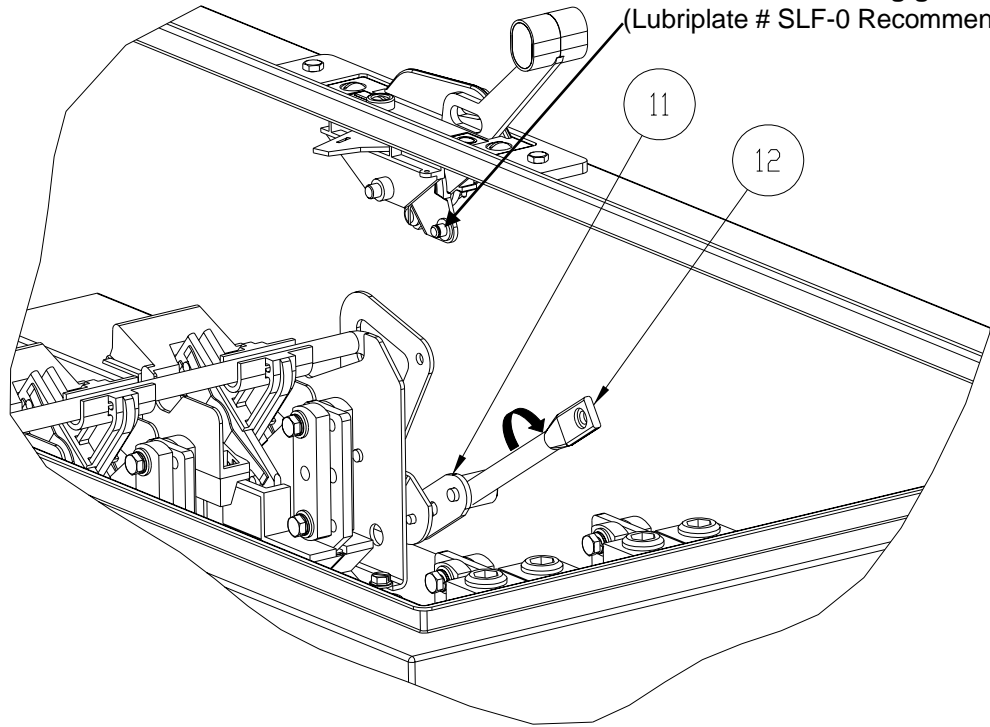
Tensión peligrosa.
Puede causar la muerte o lesiones graves.
Desenergice totalmente antes de instalar o darle servicio. Reemplace todas las barreras y cubiertas antes de energizar el interruptor.

⚠ Danger

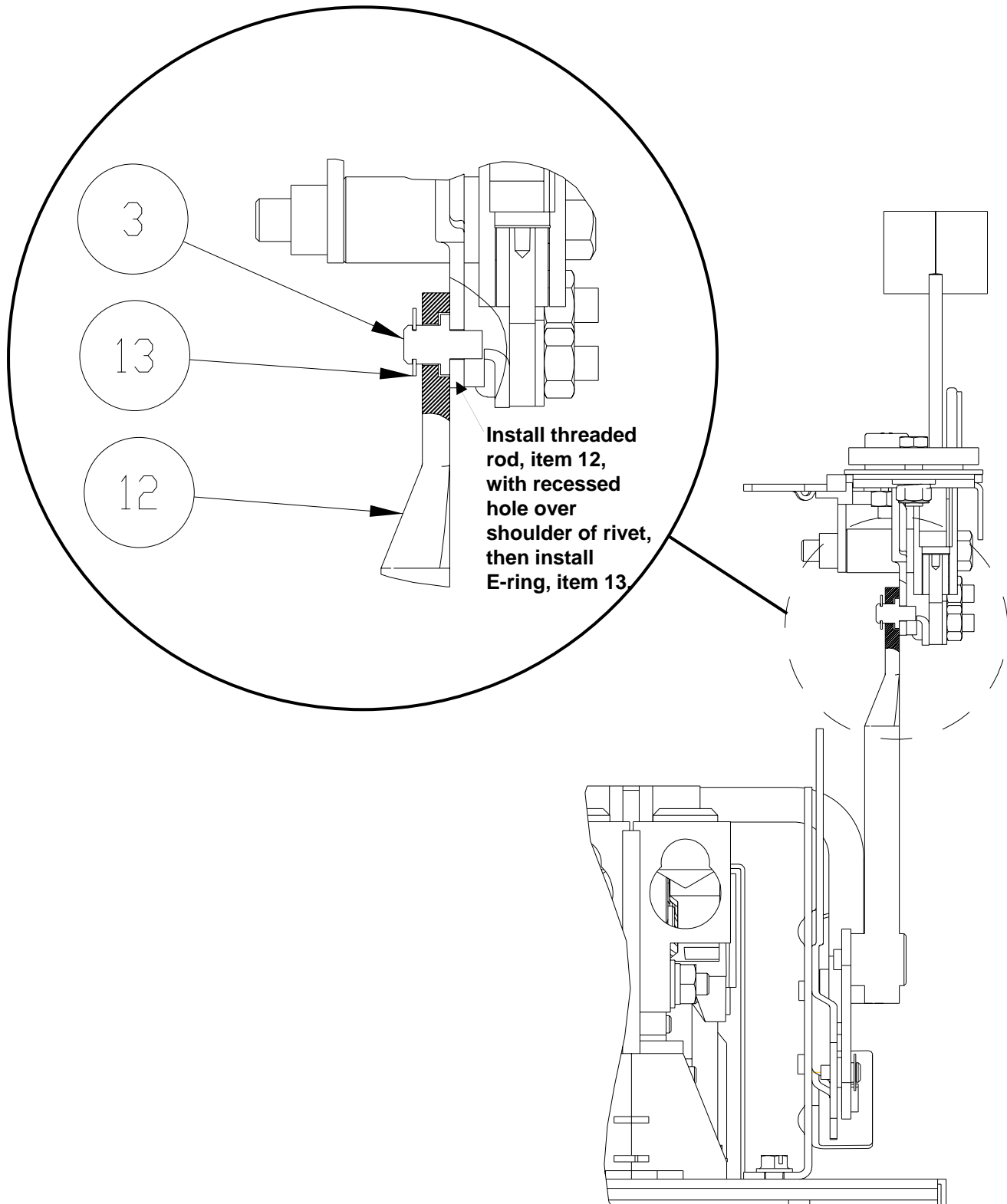
Tension dangereuse.
Danger de mort ou risque de blessures graves.
Couper l'alimentation de l'appareil et barrer avant de travailler.
Remplacez tous les couverts avant que l'approvisionnement de pouvoir soit alimenté.

Connect Linkage to Handle Assembly

Lubricate with bearing grease.
(Lubriplate # SLF-0 Recommended.)

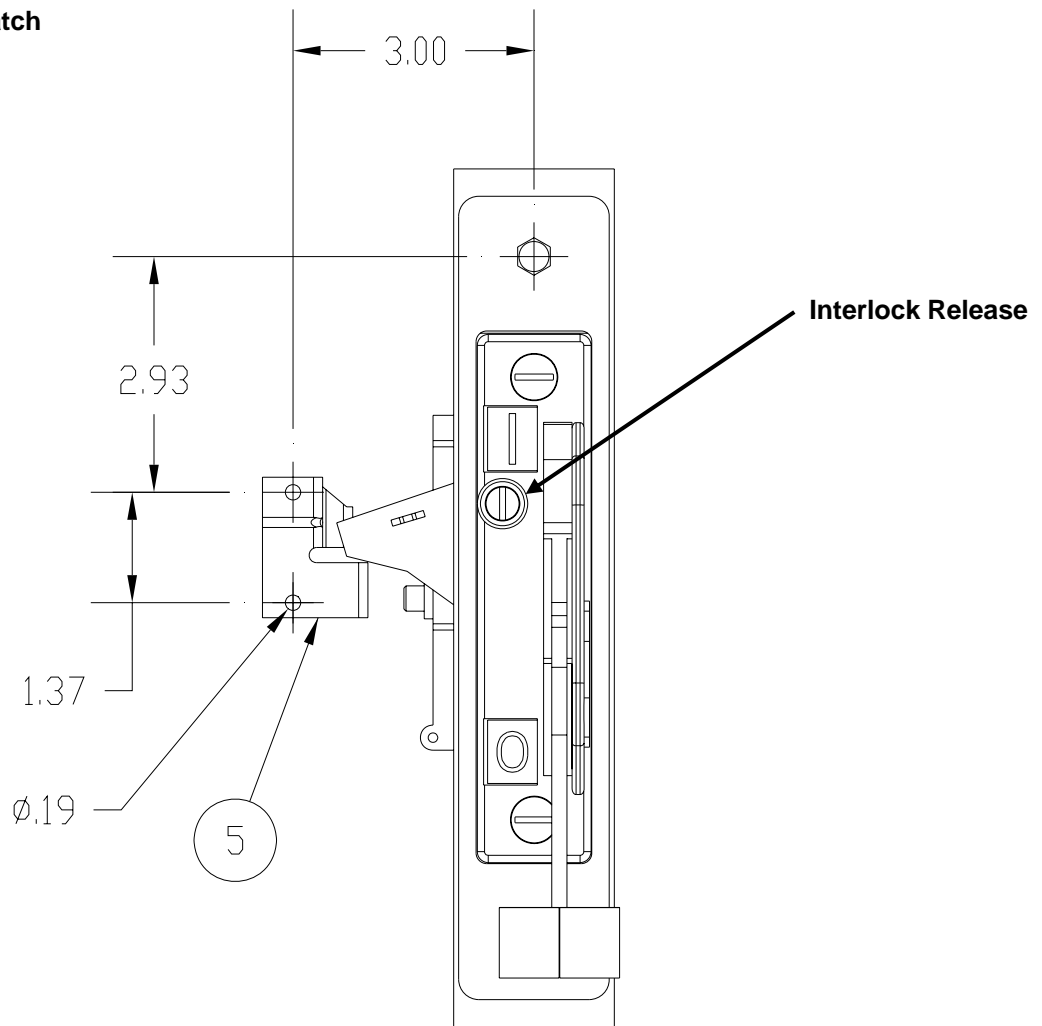


Install E-Ring
(Enclosure not shown for clarity)



	<p>⚠ Danger Hazardous Voltage. Will cause death or serious injury.</p>	<p>⚠ Peligro Tensión peligrosa. Puede causar la muerte o lesiones graves.</p>	<p>⚠ Danger Tension dangereuse. Danger de mort ou risque de blessures graves.</p>
	<p>Turn off and lock out all power supplying this device before working on this device. Replace all covers before power supplying this device is turned on.</p>	<p>Desenergice totalmente antes de instalar o darle servicio. Reemplace todas las barreras y cubiertas antes de energizar el interruptor.</p>	<p>Couper l'alimentation de l'appareil et barrer avant de travailler. Remplacez tous les couverts avant que l'approvisionnement de pouvoir soit alimenté.</p>

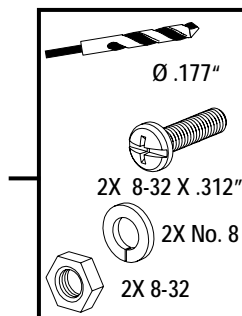
Installation of Cover Catch



Dimensions for Welded or Screw mounting the cover catch

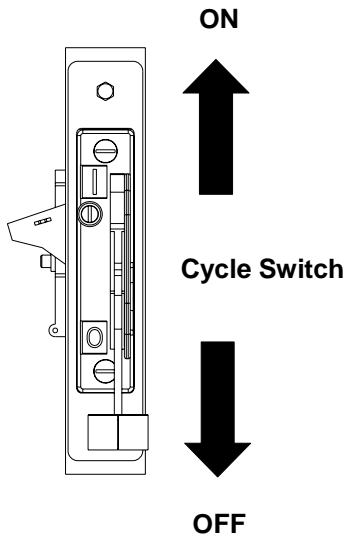
Screw Mounting Option:

Customer supplied hardware for screw mounting option. Hardware must maintain environmental integrity (NEMA rating) of the enclosure.



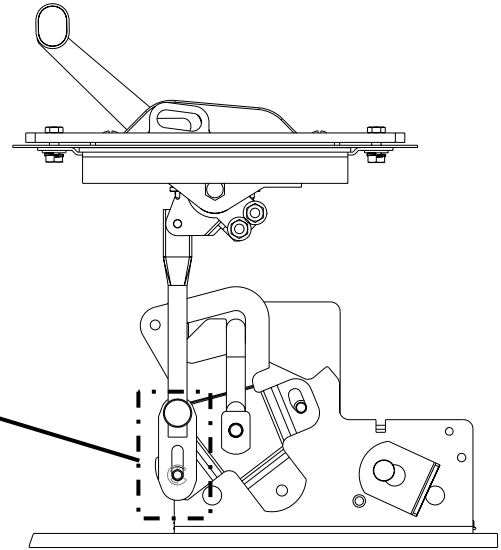
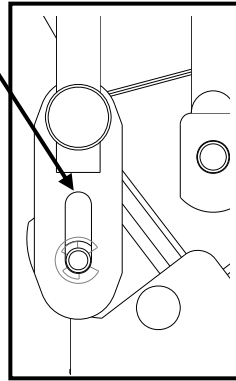
Verify Correct Installation

Check Switch Operation



If switch does not turn ON:

Drive Plate Slot



- Verify mechanism pin is located in the bottom of the drive plate slot, item 11. Turn threaded rod, item 12, to adjust pin location if required.

- Verify panel mounting dimensions.

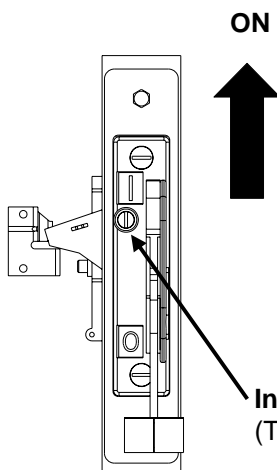
- Adjust as needed.

If switch does not turn OFF:

- Verify panel mounting dimensions.

- Adjust as needed.

Check Cover Interlock Operation



- Move switch handle to "ON" position.

- Attempt to open the enclosure cover (5 lbf MAX).

- If cover opens:

- Move handle to "OFF" position.

- Verify location of cover catch, item 5.

- Adjust location of cover catch as needed.

- Check interlock operation again.

Interlock Defeater Screw

(Turn screw while handle is in the "ON" position to open the cover)