

### Disconnect Switch Cat. No.

Cat. No.	Amps	Volts	Horse Power (max.)
MCS610R	100	600	75
MCS610L	100	600	75

Table 1  
Above catalog numbers also rated for 250V DC.

### ⚠ Safety Instructions

**NOTE:** This instruction outlines the recommended installation procedure.

1. Turn off and lockout all power before installing or servicing.
2. These devices are approved for use with external handle operators. Refer to Siemens basic catalog numbers FDH10, FHOHS, RHOH and associated operating mechanisms.
3. Located switch as required by handle operating mechanism. Drill and tap the switch mounting holes (4 holes) as shown in Fig. 1.
4. Remove the line shield to access the switch top mounting holes. Note that the switch should be in open position to access lower mounting screws. Position the unit over the mounting holes. Use 10-32 x 1/2 screws with lock washers and flatwashers to mount the switch. Torque all mounting screws to 25-28 in. lbs.
5. Reinstall the line shield.
6. **Non-Fused**  
When non-fused application is desired, use TMK610 connector kit. See page 2, Fig. 3, and Pc. No. 9411-2 instruction sheet.
7. **Fused**  
For fuse installation refer to page 2, Fig. 2.
8. For overfusing installation refer to OFCK620 and Pc. No. 9422-2 instruction sheet.

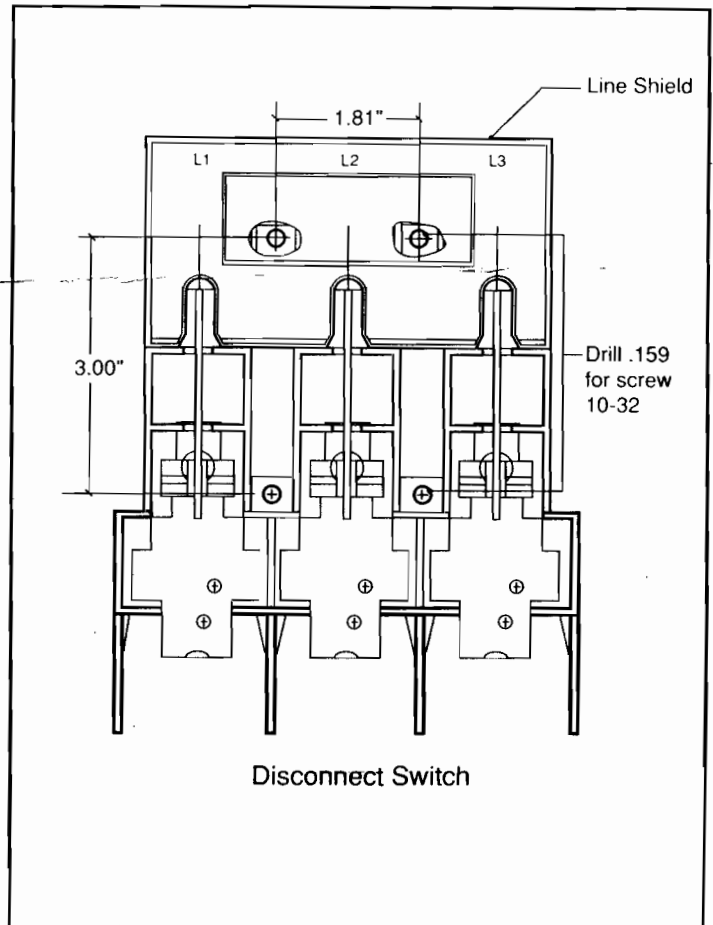


Figure 1

### Fuse Block Kits U.S. PAT. NO. 5.145.415

Cat. No.	Fuse Type	Amps	Dimension "A"	
			250 V	600 V
FCK610	H	61-100	6.810	8.810
FCK610	J	61-100	-----	5.560
FCRK610	R	61-100	6.810	8.810

Table 2

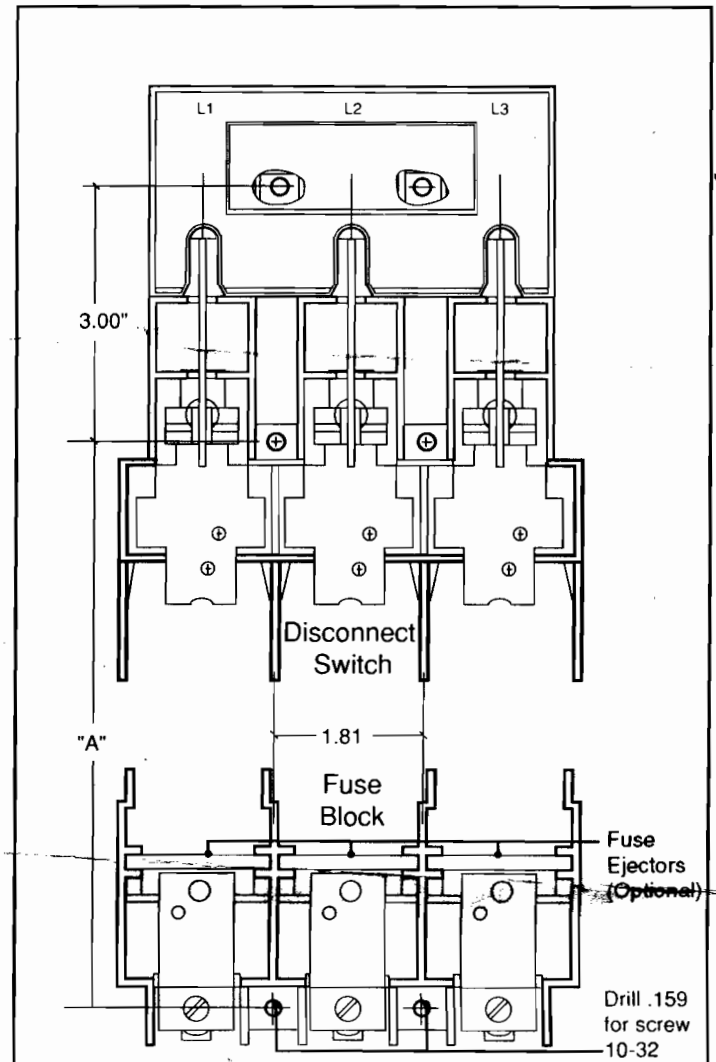


Figure 2

### Safety Instructions

- Using Table 2, locate the proper fuse block Cat. No. for the type of fuses you are using. Read across until you locate the dimensions necessary to position the fuse block at the proper distance from the switch.
- Using 5/32" or no.21 drill, drill two holes and tap #10-32 for mounting screws provided with fuse block kit. Align the fuse block parallel to the bottom of the disconnect switch before tightening screws. Torque all mounting screws to 25-28 in. lbs.
- Using Figure 4, install the fuse clips provided, on the disconnect device with #10-24 x 3/8" long panhead machine screws on the disconnect device and torque screws 25-28 in. lbs.
- Install the proper class fuses before turning power on.

### -Accessories

Cat No.	Description
FE 100	Fuse Ejector 100A

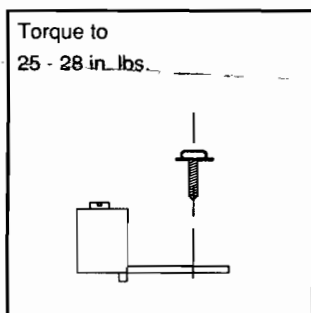


Figure 3

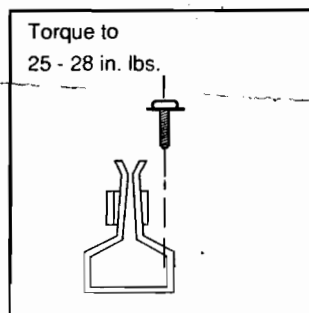


Figure 4