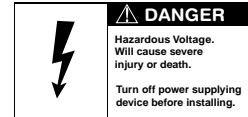
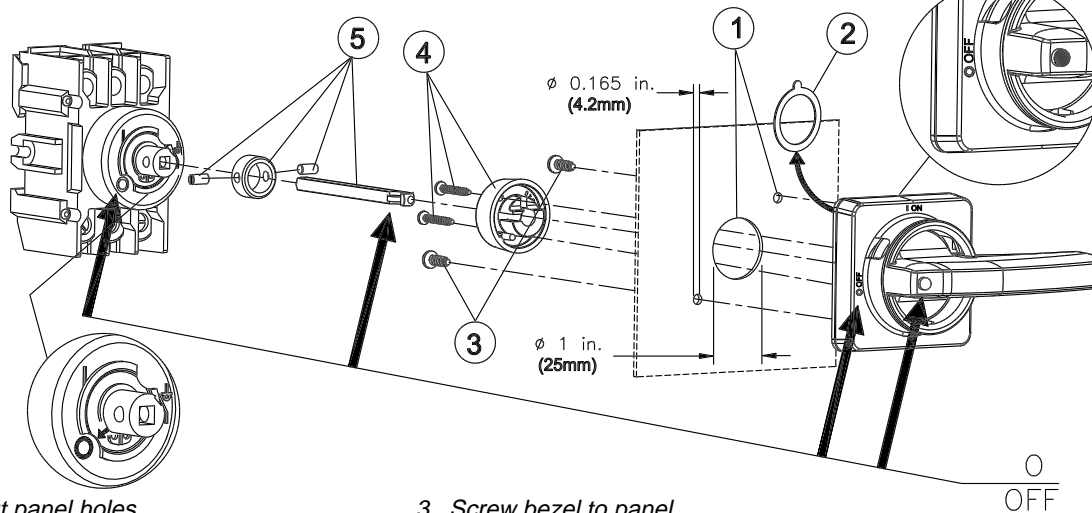


# SIEMENS

LBRH 9:  
Pistol Grip Handle,  
Kit, Black, I/On & O/Off

LBRH10:  
Pistol Grip Handle,  
Kit, Red/Yel, I/On & O/Off



1. Cut panel holes

2. Remove paper cover from gasket

3. Screw bezel to panel

4. Attach shaft guide collar to bezel

5. Mount shaft & shaft retaining collar

Instruction numbers correspond with the numbers in the drawing above.

### 1. Align assembly and cut panel holes.

The center of the through-panel hole for the bezel and handle nipples must align within 2mm (5/64 inch) of the center of the shaft cavity in the switch nipple. An adhesive-backed transparent plastic template is provided in the handle kit to assist in proper placement of holes, as shown below. Note that if a 4.2mm bit is not available, a 5/32 inch (0.156") will provide a suitable but tight hole, and 11/64 inch (0.171") will provide a suitable but loose tolerance hole.

Note that the panel holes are a symmetrical pattern, so it is possible to install the handle kit up-side-down. Before the adhesive template is removed, note or mark the I/ON and O/OFF orientation of the handle. When hole cutting is completed, remove the adhesive template (if used). Deburr hole edges if necessary, and clean the panel area around the holes of all dirt, oil, residual adhesive and grease.

### 2. Remove paper cover from adhesive gasket.

The adhesive gasket is supplied already adhered in place to the back of the bezel. The cover is colored so it can be easily distinguished from the white gasket. Do not pull on the gasket itself. This gasket is essential to environment sealing.

### 3. Screw bezel to panel.

Carefully align bezel as shown, with I at the top and O at the left, on the outside of the panel, door or cover. Press the bezel to the panel until the gasket adheres to the panel.

From the back of the panel, door or cover, insert the shorter screws with larger head into the two small panel holes. While holding or supporting the handle/bezel assembly (so force on the screwdriver does not lift the bezel or adhesive gasket off the panel) use #2 Phillips screwdriver to tighten the screws until the bezel is pulled against the panel.

### 4. Attach shaft guide collar to bezel.

From the back of the panel, door or cover, insert the guide pin of the shaft guide collar into the larger of the three holes in the rim of the bezel nipple (the hole in the lower right side). Align the other two holes in the bezel nipple rim with the screw holes in the shaft guide collar. Insert the remaining screws and tighten snugly with #1 Phillips driver. Do not overtighten.

Snap the small plug into the hole in the right side of the bezel

**This completes the handle installation.** If the extended actuation shaft and its

retaining collar are to be mounted on a LBR rotary switch which has already been installed in the enclosure, proceed with step 5.

**WARNING: VERIFY POWER & SWITCH ARE OFF.**

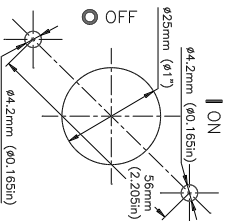
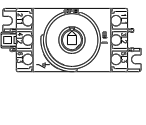
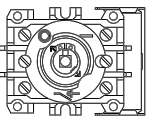
5. Mount shaft & shaft retaining collar.

Start the two screws (supplied with the collar) into the side holes in the collar. Then slip the shaft retaining collar over the switch nipple. With the switch positioned with 1 at the top, align the key pin(s) on the shaft directly pointing to the left. Slip the end of the shaft that does not have the pins into the square hole in the switch nipple.

Align the screw in the collar. Slip the shaft to the bottom of the cavity, then back it out 1 to 2 mm (about 1/16 inch). Tighten screws securely so the shaft is firmly held in the nipple.

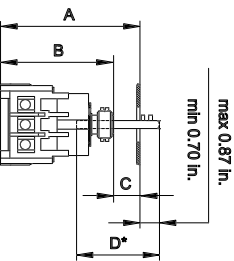
**THE ENCLOSURE DOOR SHOULD BE CLOSED WHEN SWITCH AND HANDLE ARE IN THE OFF POSITION TO VERIFY THAT THE SHAFT SLIPS SMOOTHLY INTO THE HANDLE CAVITY.**

**THE SWITCH AND THE HANDLE SHOULD BE LEFT IN THE "OFF" POSITION DURING FURTHER INSTALLATION WORK.**



Switch	Dimensions (inches)			
	A	B	C	D*
LBR3025	2.76±C	2.76	measured	1.55±C
LBR3040	2.68±C	2.68	measured	1.55±C
LBR3060	2.68±C	2.68	measured	1.55±C
LBR3080	2.87±C	2.87	measured	1.55±C
LBR3100	2.87±C	2.87	measured	1.55±C
LBR4040	2.68±C	2.68	measured	1.55±C

Minimum enclosure depth for direct mounted switch is 3.5 in. + thickness of enclosure lid (0.04..0.16 in.).  
D\* = shaft length



The LBRH9&10 series pistol actuator kits are accessories for Siemens LBR-type switches UL and CUL Listed under File No. E191706 and have been tested under Standard for Safety UL508. The LBRH9&10 are environmental rated UL508 Types 4X and 12 (suitable for use with enclosures rated Types 1, 2, 3, 3R, 4, 4X, 12 and 12K), and international ingress protection rated IP 65.

**KIT CONTENTS**

The standard LBRH9&10 handle kit contains the following components. Other parts and components referred in these instructions are purchased separately. Custom packaging and package marking are available in high quantities.

- (1) Handle and bezel (indicating plate) assembly, provided with a sealing gasket adhered to the back of the bezel.
- (1) Snap in plug, for defleater hole.
- (1) Shaft guide collar.
- (2) Steel screws, plastic-tapping, pan head #1 Phillips, to attach shaft guide collar to bezel.
- (2) Self-tapping screws to mount the handle/bezel assembly to the enclosure.
- (1) Adhesive-backed drilling template.

**BEFORE COMMENCING INSTALLATION, VERIFY THAT NO ELECTRICAL POWER IS CONNECTED TO THE ENCLOSURE OR HAVE A QUALIFIED PERSON USE TEST EQUIPMENT TO TEST THE CIRCUIT ELEMENTS AND ELECTRICAL PARTS OF EQUIPMENT TO WHICH THE INSTALLER MAY BE EXPOSED AND DECLARE THAT THEY ARE DEENERGIZED AND POWER IS LOCKED OFF.**

