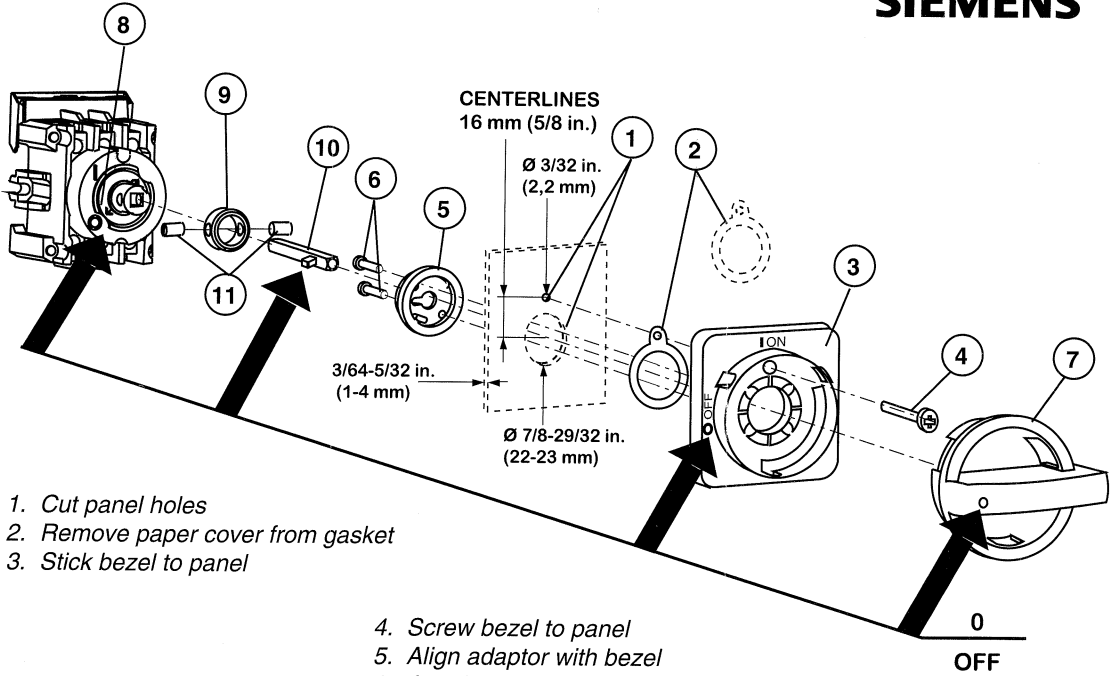


SIEMENS

Handle Kits
LBRH3-Black
LBRH4-Red/Yel



- 1. Cut panel holes
- 2. Remove paper cover from gasket
- 3. Stick bezel to panel

- 4. Screw bezel to panel
- 5. Align adaptor with bezel
- 6. Attach adaptor to bezel

- 7. Install handle (knob) in bezel
- 8. Verify switch is OFF
- 9-11. Insert shaft and mount switch

BEFORE COMMENCING INSTALLATION, VERIFY THAT NO ELECTRICAL POWER IS CONNECTED TO THE SWITCH (AS IN PRODUCTION LINE ASSEMBLY) OR HAVE A QUALIFIED PERSON USE TEST EQUIPMENT TO TEST THE CIRCUIT ELEMENTS AND ELECTRICAL PARTS OF EQUIPMENT TO WHICH THE INSTALLER MAY BE EXPOSED AND DECLARE THAT THEY ARE DEENERGIZED AND POWER IS LOCKED OFF.

1. Align assembly and cut panel holes.

Cut the two holes of the size indicated. For the smaller, bezel-screw retaining hole, the panel material and thickness must allow thread cutting in the hole by the M3 screw provided. Deburr if necessary, and clean panel area around holes of all dirt, oil, and grease.

2. Remove paper cover from adhesive gasket.

The adhesive gasket is supplied already adhered in place to the back of the bezel, aligned so the protruding tab fits over the hole for the bezel retaining screw.

3. Stick bezel to panel.

Carefully align bezel as shown, with I at the top and O at the left, on the outside of the panel, door or cover. Press the bezel to the panel until the gasket adheres to the panel.

4. Screw bezel to panel.

Insert provided M3 screw into recessed screw hole in front of bezel. Hold bezel in place and use #1 Phillips driver to thread screw through gasket and into panel hole. The screw head must be totally recessed in the hole, but do not over-tighten. Tightening torque depends on panel material and thickness.

5. Align shaft guide collar and bezel.

From the back of the panel, door or cover, align the guide pin of the shaft guide collar with the larger of the three holes in the rim of the bezel nipple (the hole in the lower right side).

6. Attach shaft guide collar to bezel.

Insert M3 screws into the two holes in the shaft guide collar. Use #1 Phillips driver to tighten snugly.

7. Install handle (knob) in bezel.

Place handle so nipple is aligned with the large center hole in the bezel, with the handle pointer pointing to upper left between I and O markings. Press the handle to force the handle compression nipple fully into the bezel hole.

This completes the KSH 48 handle installation. If the extended actuation shaft and its retaining collar are to be mounted on a rotary switch which has already been installed in the enclosure, proceed with steps 8-11.

8. Verify switch & power is OFF.

9. Slip shaft retaining collar onto nipple.

Start the two screws (supplied with the collar) into the side holes in the collar first. Then slip the shaft retaining collar over the switch nipple. Note that the PMR249 collar (for the COMPACT switch) is keyed.

10. Insert shaft into nipple cavity.

In all cases, with the switch positioned with I at the top, align the key pin(s) on the shaft directly pointing to the left. Slip the end of the shaft that does not have the pins into the square hole in the switch nipple.

11. Tighten screw to shaft.

Switch	Dimensions (inches)			
	A	B	C	D*
LBR3025	2.76+C	2.76	measured	1.24+C
LBR3040	2.68+C	2.68	measured	1.24+C
LBR3060	2.68+C	2.68	measured	1.24+C
LBR3080	2.87+C	2.87	measured	1.24+C
LBR3100	2.87+C	2.87	measured	1.24+C
LBR4040	2.68+C	2.68	measured	1.24+C

Minimum enclosure depth for direct mounted switch is 3.45 in. + thickness of enclosure lid (0.04...0.16 in.).
D* = shaft length

