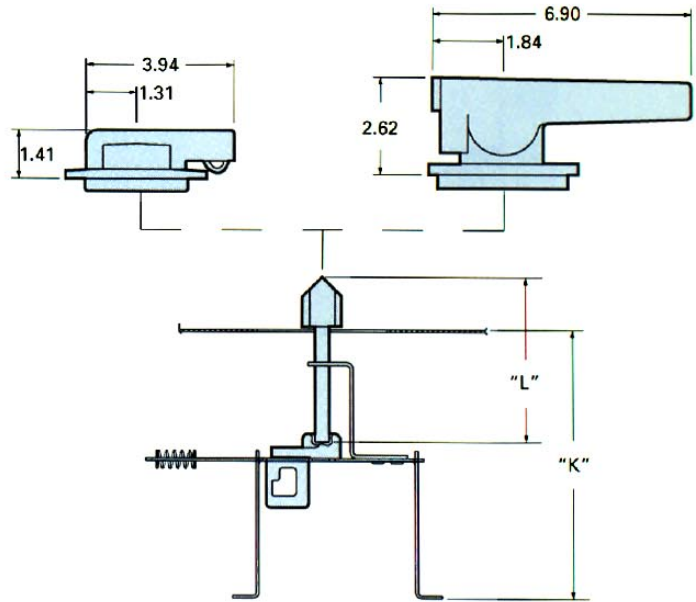
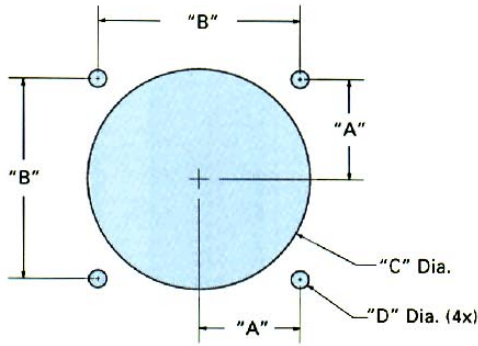


Rotary Handle Operator

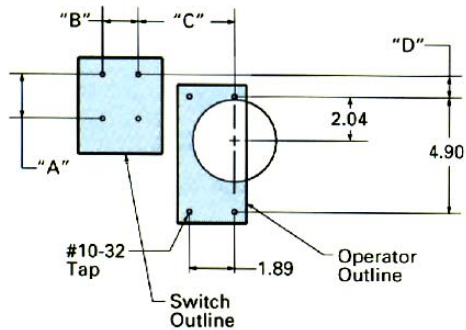


Dimensions (inches)

	A	B	C	D
CRHOH	1.18	2.36	3.00	0.175
RHOH	1.59	3.18	3.50	0.281

Dimensions (inches)

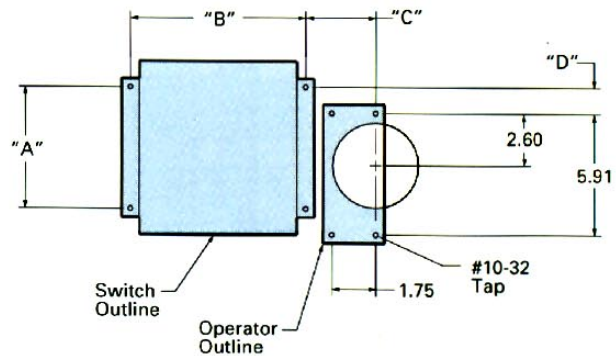
	CRHOS06	CRHOS20	RHOS06	RHOS20
Enclosure Depth (K)				
Minimum	5.42	6.17	4.75	5.50
Maximum	15.73	16.28	16.30	16.85
Shaft Length (L)	K-2.77	K-3.42	K-2.25	K-2.90



MCS603R, MCS606R, MCS610R

Dimensions (inches)

	A	B	C	D
MCS603R, MCS606R	1.89	1.50	4.03	1.10
MCS610R	3.00	1.81	4.37	1.17
MCS620R	5.44	7.85	2.53	1.41



MCS620R