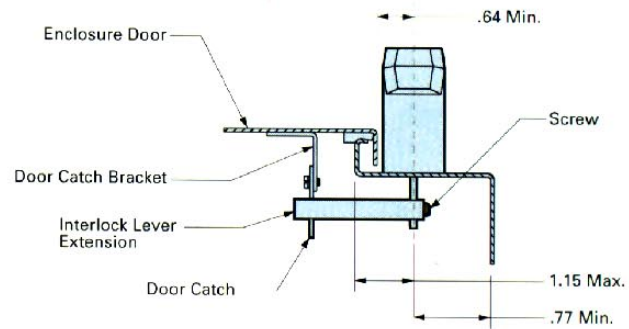
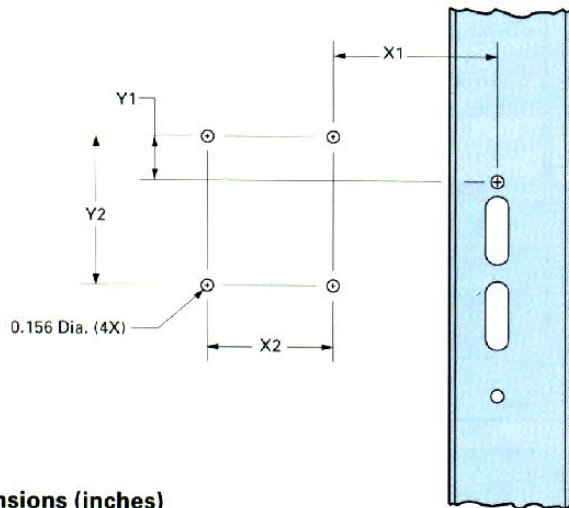
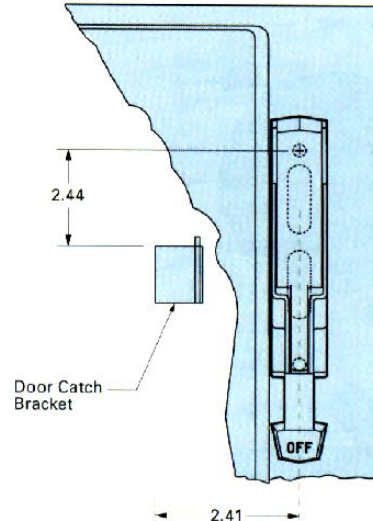
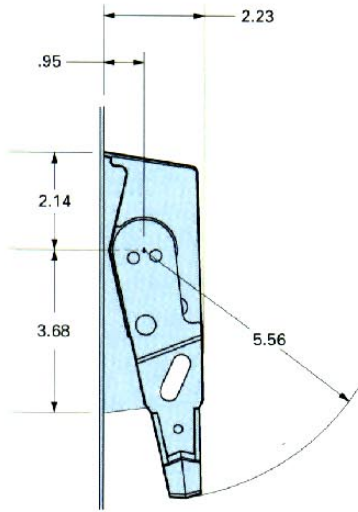
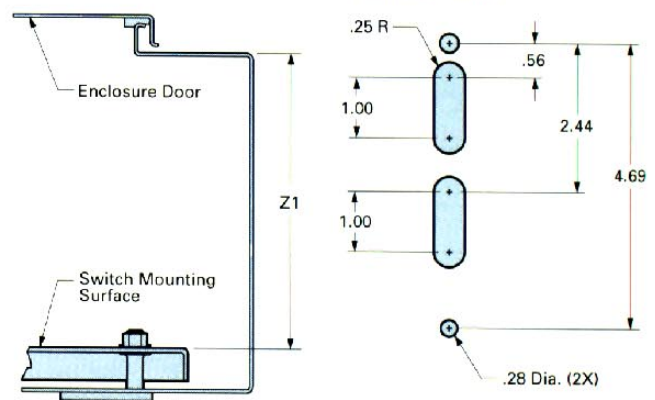


# Fixed Depth Handle Operator



## Flange Cutout



## Dimensions (inches)

	X1	X2	Y1	Y2	Z1
MCS603, MCS606	3.52	1.50	0.00	1.89	6.44
MCS610	3.91	1.81	0.13	3.00	6.44
MCS620	1.51	7.86	0.38	5.44	10.93