



From: Dennis Krizan

June 23, 2008

Subject: **CFS11AUX & CFS22AUX Release for Sale**

New catalog numbers CFS11AUX and CFS22AUX are in stock and are released for sale. These new aux contact kits must be used when a CFSNFPA2 kit is used on a 30-400A CFS switch and auxiliary contacts are required. These new kits mount to the left hand side of the CFS switch and add a minimal amount of over-all width to the switch (.57" for CFS11AUX and 1.14" for CFS22AUX). No auxiliary contact holder is required with these kits and they can also be used on 600 and 800A CFS switches.

Side Mounted Auxiliary Contact Kits Ordering Information

(Product category HDSS, Class (MG3) N4A)

Catalog Number	List Price (Effective 8/11/08)	Description	UPC Code
CFS11AUX	\$101.00	1NO, 1NC Aux. contact kit	78364398950
CFS22AUX	\$135.00	2NO, 2NC Aux. contact kit	78364398951

Ratings and Approvals:

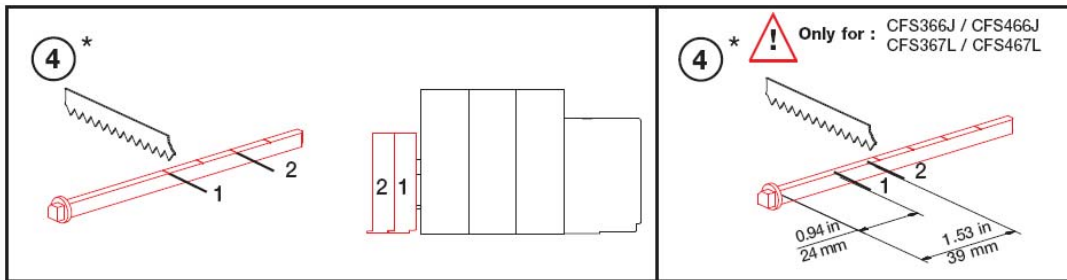
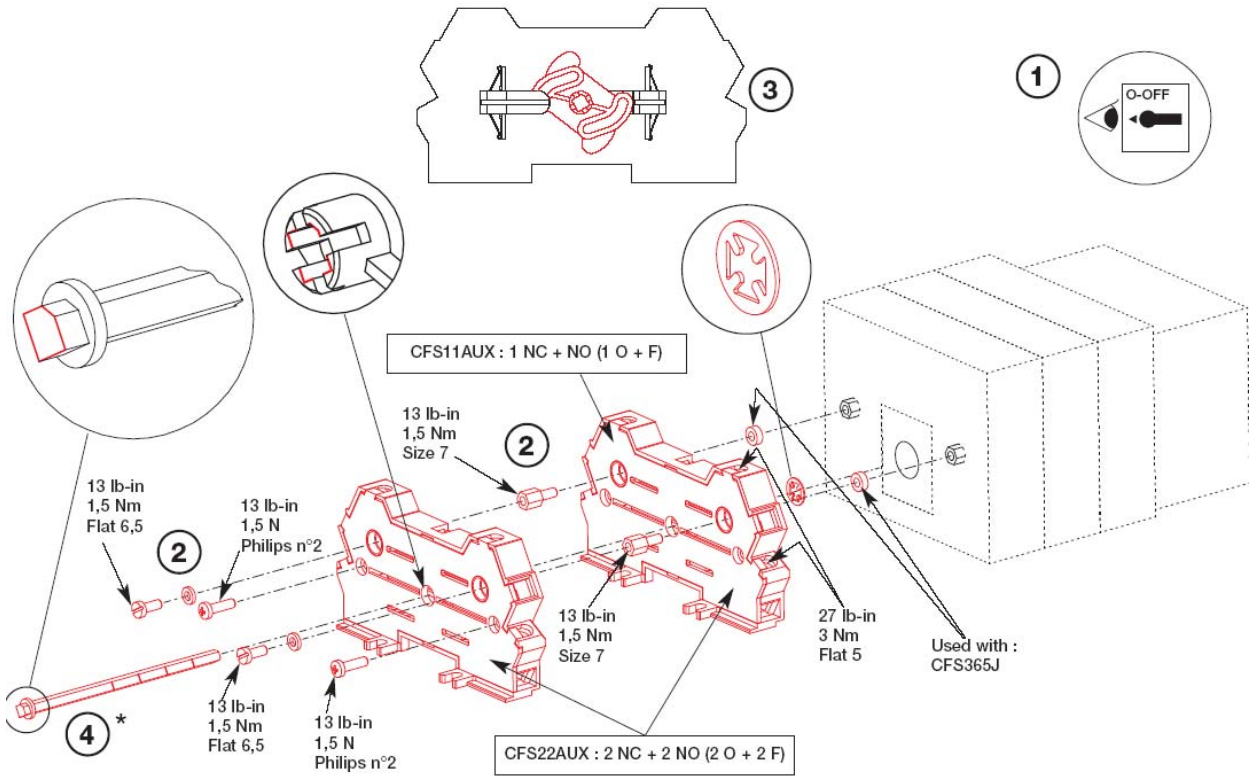
- 10A, 600V AC Max (A600), 600V DC Max. (N600)
- Wire size - #16 AWG Cu only
- UL Listed and CSA Certified
- IEC 60947-5-1

IMPORTANT

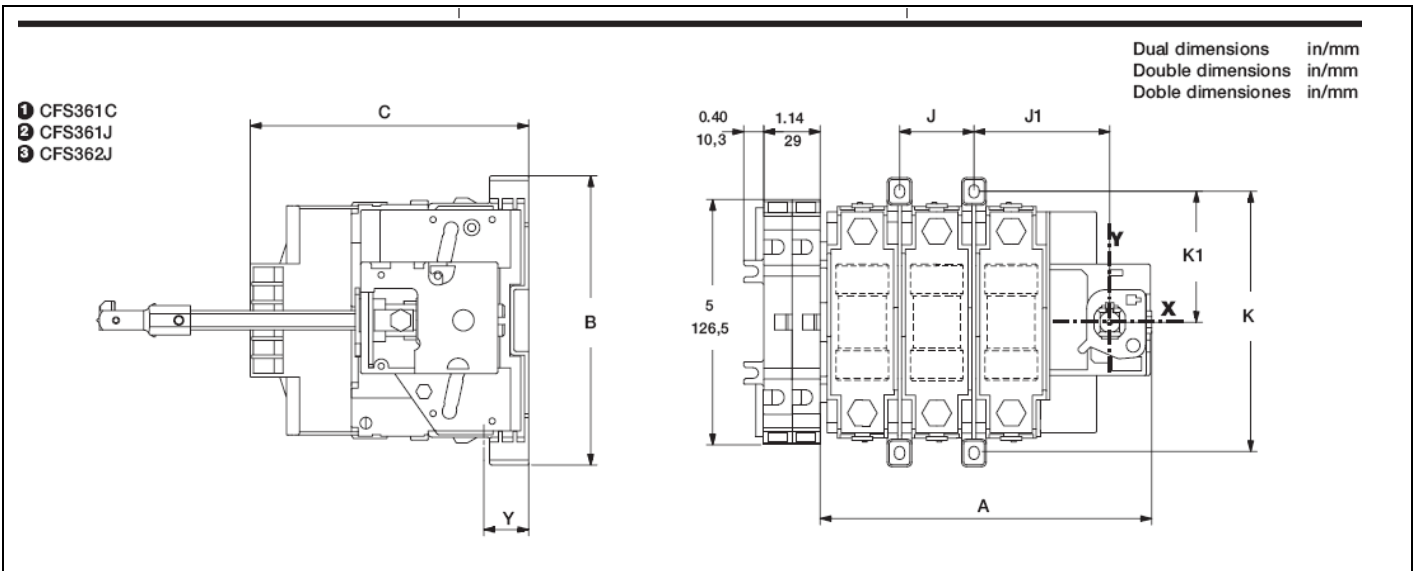
Top mounted aux contacts CFS AUX1NO and CFS AUX1NC WILL NOT mount to a 30-400A CFS switch when NFPA kit catalog number CFSNFPA2 is required.

Dennis P. Krizan
Senior Product Manager
Switch Products

Assembly Illustration



Dimensions When Mounted to a 30 or 60A CFS Switch



- ❶ CFS361C
- ❷ CFS361J
- ❸ CFS362J

		A		B		C		H		H2		H3		J		J1		K		K1		K3		Y	
		in	mm	in	mm	in	mm	in	mm	in	mm	in	mm	in	mm	in	mm	in	mm	in	mm	in	mm	in	mm
❶	3 P	5.63	143	5.87	149	3.89	99	/	/	/	/	/	/	1.14	29	2.38	60,5	5.31	135	2.63	66,5	/	/	1.21	31
❷	3 P	6.72	171	5.87	149	5.62	143	/	/	/	/	/	/	1.5	38	2.75	69,5	5.31	135	2.63	66,5	/	/	0.95	24,5
❸	3 P	6.72	171	5.87	149	5.62	143	/	/	/	/	/	/	1.5	38	2.75	69,5	5.31	135	2.63	66,5	/	/	0.95	24,5
❹	3 P	8.26	210	7.19	182,5	5.63	143	4.06	103	5.27	134	3.66	93	2.05	52	3.28	83,5	6.61	168	3.28	83,5	5.55	141	1	26
❺	3 P	9.44	240	8.13	206,5	6	152	7.27	184,5	6.87	174,5	4.79	122	2.44	62	3.68	93,5	7.56	192	3.75	95,5	6.53	166	1.03	26