

NOTE:

1. FOR PRINT FORMAT, GRAPHICS AND TEXT SEE 508214A.PDF

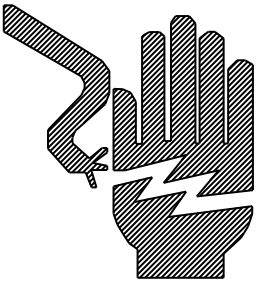
REVISIONS			
REV	DESCRIPTION	DATE	APPROVED
0P	INITIAL RELEASE	03/30/01	ECN 16074F
1P	ADDED SHEET 3 WITH 508214C00	09/08/05	ECN 19904B
2P	508214A01 WAS A00;B01 WAS B00 REVISED COMPANY NAME	10/22/09	ECN 21306
3P	REVISED PHONE NO	4/01/10	ECN 21373

# SIEMENS

Siemens Industry, Inc.  
Norcross, Ga. 30092 U.S.A.  
For questions call 1-800-241-4453 or our web site:  
<http://www.sea.siemens.com/dpd>

Item: Replacement Wire Grip Kit  
Catalog Numbers HL65678  
For use with: 400-1200 Amp Type  
VBII Safety Switches  
Page 1 of 3  
Pc. No. 508214A01

## Installation Instructions for Replacement Wire Grip Kit

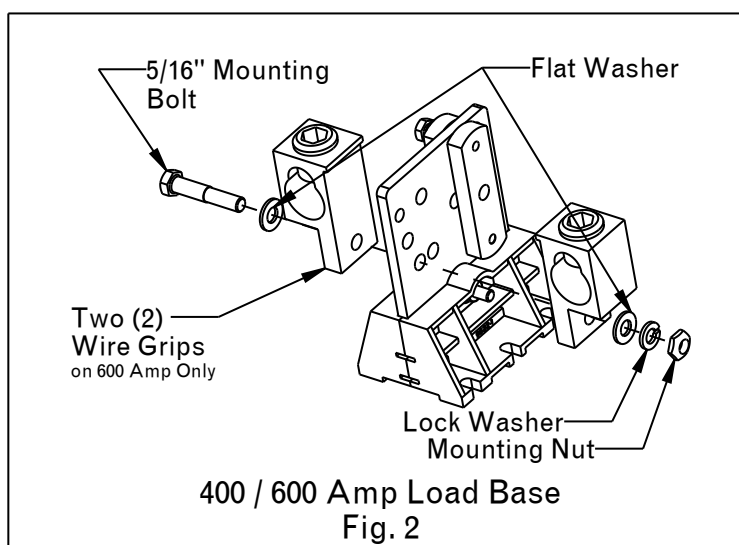
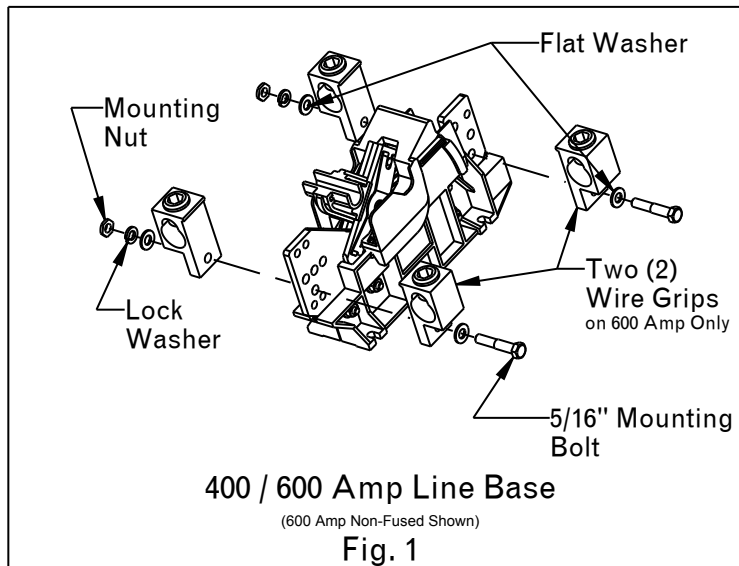


**⚠ DANGER**  
Hazardous voltage.  
Will cause death or serious injury.  
Turn off and lock out all power supplying this Safety Switch before installing kit.  
Replace line shields and close cover before restoring power to switch.

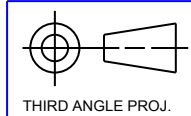
**⚠ SAFETY INSTRUCTIONS**  
Note: This instruction outlines recommended installation procedure.

### 400 / 600 Amp Wire Grips

1. Turn OFF and lock out all power supplying the Safety Switch.
2. Turn the Safety Switch OFF.
3. Remove line shields.
4. Verify that NO voltage is present at the wire grips.
5. Remove wires from all wire grips.
6. Remove and retain the mounting hardware as shown in Figures 1 & 2.
7. Remove and discard old wire grips.
8. Using the mounting hardware removed in step 6, install wire grips furnished in this kit. Torque hardware to the Lug Mounting Torque value listed in the Terminal & Wire Information Table on the interior label.
9. Reinstall all wires and torque lugs to the Wire Tightening Torque values listed in the Terminal & Wire Information Table on the interior label.
10. Replace all line shields.
11. Close cover before supplying power to the Safety Switch.




508214A01  
( PAGE 1 OF 3 )

508214A01	MATERIAL: 20# WHITE BOND PAPER SIZE 8.5 X 11 INCHES BLACK PRINTING ON WHITE BACKGROUND FINISH:		
PART NO.	MATERIAL/SPECIFICATION		
CONFIDENTIAL - PROPERTY OF Siemens Industry, Inc.			
UNLESS OTHERWISE SPECIFIED DIMENSIONS ARE IN INCHES DO NOT SCALE DRAWING		Siemens Industry, Inc.	
TOLERANCES: .XX ± 0.01 .XXX ± 0.001 ANGULAR ± 1.0°		 <b>INSTRUCTION SHEET</b> WIRE GRIP REPLACEMENT KIT	
DVDAF	DATE/15/01	SIZE <b>C</b>	FSCM NO. DWG NO. <b>508214</b> REV. <b>3P</b>
CHBAF	DATE/15/01	SCALE B00	PRO/E FILE 508214 SHEET 1 OF
APVAF TA	DATE/15/01		

Siemens Industry, Inc.  
 Norcross, Ga. 30092 U.S.A.  
 For questions call 1-800-241-4453 or our web site:  
 http://www.sea.siemens.com/dpd

Page 2 of 3  
 Pc. No. 508214A01

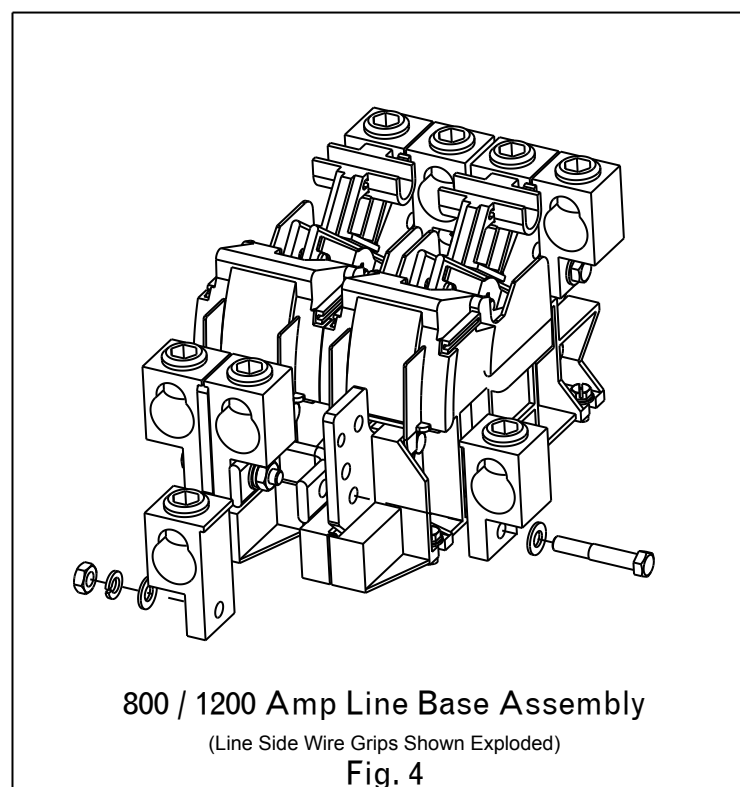
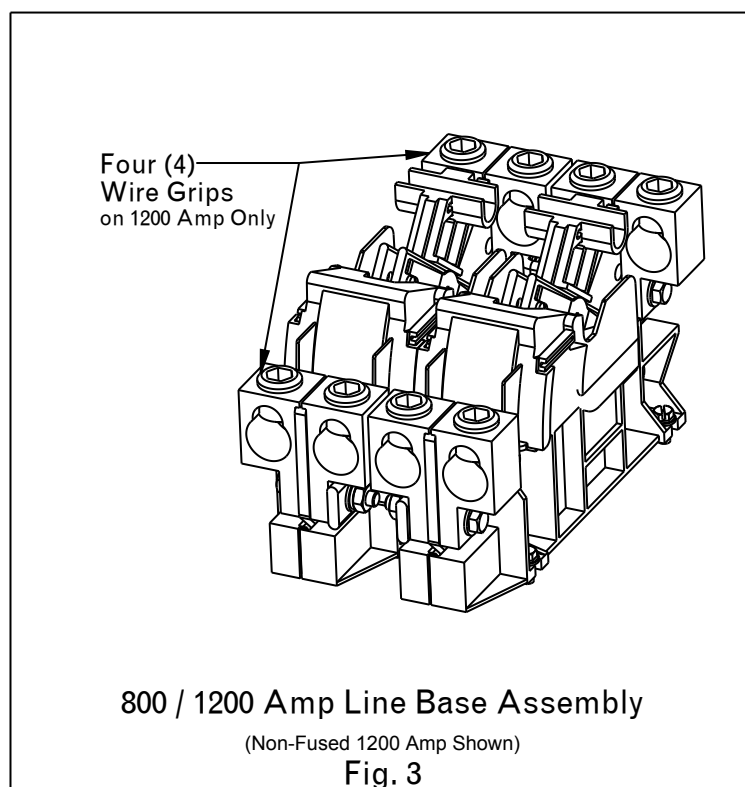


**DANGER**  
 Hazardous voltage.  
 Will cause death or serious injury.  
 Turn off and lock out all power supplying  
 this Safety Switch before installing kit.  
 Replace line shields and close cover  
 before restoring power to switch.

### Installation Instructions for Replacement Wire Grip Kit

#### 800 / 1200 Amp Wire Grips

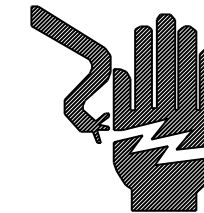
1. Turn OFF and lock out all power supply-  
ing the Safety Switch.
2. Turn the Safety Switch OFF.
3. Remove line shields.
4. Verify that NO voltage is present at the wire  
grips.
5. Remove wires from all wire grips.
6. Remove and retain the mounting hardware  
as shown in Figures 3 - 7.
7. Remove and discard old wire grips.
8. Using the mounting hardware removed in  
step 6, install wire grips furnished in this  
kit. Torque hardware to the Lug Mounting  
Torque value listed in the Terminal & Wire  
Information Table on the interior label.
9. Reinstall all wires and torque lugs to the  
Wire Tightening Torque values listed in the  
Terminal & Wire Information Table on the  
interior label.
10. Replace all line shields.
11. Close cover before supplying power to the  
Safety Switch.



508214A01  
 (PAGE 2 OF 3)

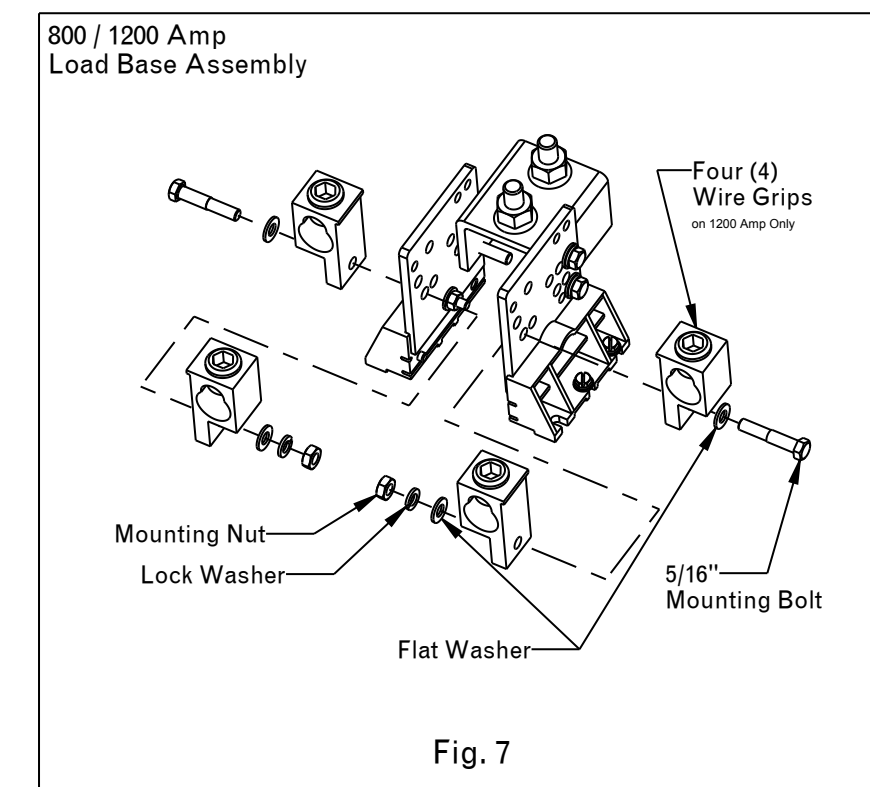
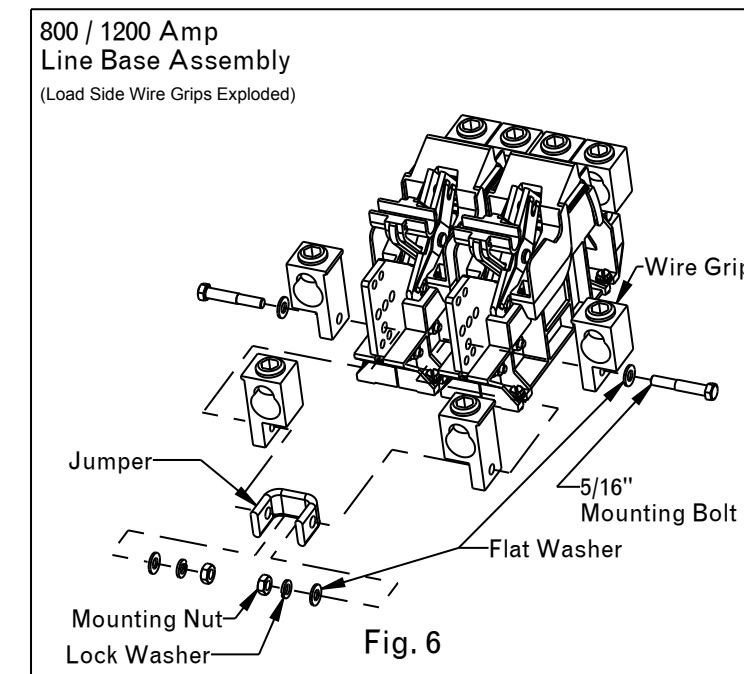
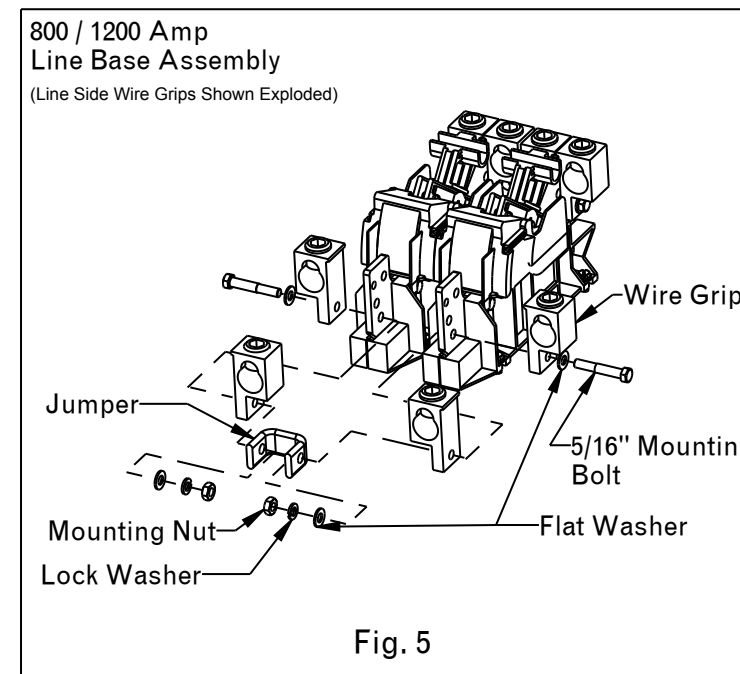
Siemens Industry, Inc.  
 Norcross, Ga. 30092 U.S.A.  
 For questions call 1-800-241-4453 or our web site:  
 http://www.sea.siemens.com/dpd

Page 3 of 3  
 Pc. No. 508214A01



**DANGER**  
 Hazardous voltage.  
 Will cause death or serious injury.  
 Turn off and lock out all power supplying  
 this Safety Switch before installing kit.  
 Replace line shields and close cover  
 before restoring power to switch.

### Installation Instructions for Replacement Wire Grip Kit



© 1999 Siemens Energy & Automation, Inc.

508214A01  
 (PAGE 3 OF 3)

CONFIDENTIAL - PROPERTY OF Siemens Industry, Inc.					
UNLESS OTHERWISE SPECIFIED DIMENSIONS ARE IN INCHES DO NOT SCALE DRAWING			Siemens Industry, Inc.		
TOLERANCES: .XX ± 0.01 .XXX ± 0.001 ANGULAR ± 1.0 ° 0.000			INSTRUCTION SHEET WIRE GRIP REPLACEMENT KIT		
DVDAF	DATE/15/01	SIZE	FSCM NO.	DWG NO.	REV.
CHBAF	DATE/15/01	<b>C</b>		508214	3P
APVAF TA	DATE/15/01	SCALE B00	PRO/E FILE 508214	SHEET2	OF

Plot Stamp  
 10-Jun-05

D

D

C

C

B

B

A

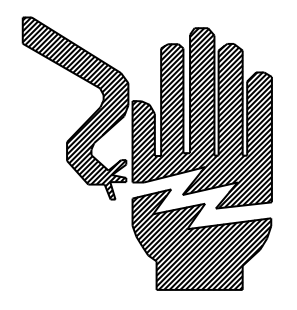
A

# SIEMENS

Siemens Industry, Inc.  
Norcross, Ga. 30092 U.S.A.  
For questions call 1-800-241-4453 or our web site:  
<http://www.sea.siemens.com/power>

Item: Replacement Wire Grip Kit  
Catalog Numbers HL67A  
For use with:  
800 Amp (MOD A) Type VBII Safety Switches  
Page 1 of 1  
Pc. No. 508214B01

## Installation Instructions for Replacement Wire Grip Kit

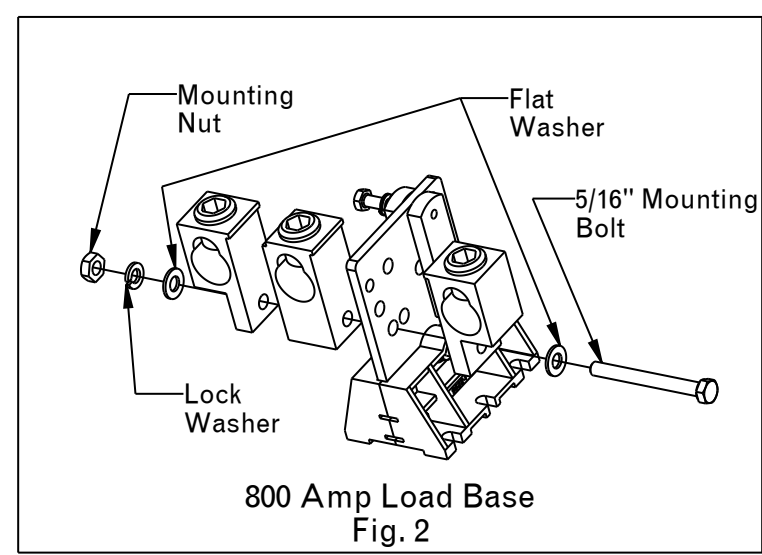
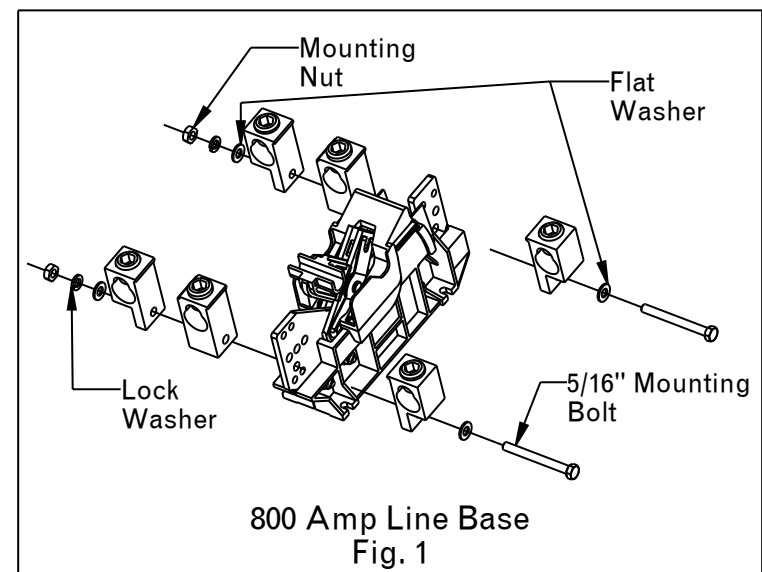


**⚠ DANGER**  
Hazardous voltage. Will cause death or serious injury.  
Turn off and lock out all power supplying this Safety Switch before installing kit.  
Replace line shields and close cover before restoring power to switch.

**⚠ SAFETY INSTRUCTIONS**  
Note: This instruction outlines recommended installation procedure.

1. Turn OFF and lock out all power supplying the Safety Switch.
2. Turn the Safety Switch OFF.
3. Remove line shields.
4. Verify that NO voltage is present at the wire grips.
5. Remove wires from all wire grips.
6. Remove and retain the mounting hardware as shown in Figures 1 & 2
7. Remove and discard old wire grips.
8. Using the mounting hardware removed in step 6, install wire grips furnished in this kit. Torque hardware to the Lug Mounting Torque value listed in the Terminal & Wire Information Table on the interior label.

9. Reinstall all wires and torque lugs to the Wire Tightening Torque values listed in the Terminal & Wire Information Table on the interior label.
10. Replace all line shields.
11. Close cover before supplying power to the Safety Switch.



508214B01  
( PAGE 1 OF 1 )

508214B01	MATERIAL: 20# WHITE BOND PAPER SIZE 8.5 X 11 INCHES BLACK PRINTING ON WHITE BACKGROUND FINISH:		
PART NO.	MATERIAL/SPECIFICATION		
CONFIDENTIAL - PROPERTY OF Siemens Industry, Inc.			
UNLESS OTHERWISE SPECIFIED DIMENSIONS ARE IN INCHES DO NOT SCALE DRAWING TOLERANCES: .XX ± 0.01 .XXX ± 0.001 ANGULAR ± 1.0 ° 0.000		Siemens Industry, Inc.	
THIRD ANGLE PROJ.		<b>INSTRUCTION SHEET</b> WIRE GRIP REPLACEMENT KIT	
DVD/AF	DATE/15/01	SIZE	FSCM NO.
CH/AF	DATE/15/01	<b>C</b>	DWG NO. <b>508214</b>
APV/AF/TA	DATE/15/01	SCALE/00	PRO/E FILE 508214 SHEETS 3P