


Installation Instructions for Replacement Line Base Kit



⚠ DANGER

Hazardous voltage.
Will cause death or serious injury.

Turn off and lock out all power supplying this Safety Switch before installing kit.

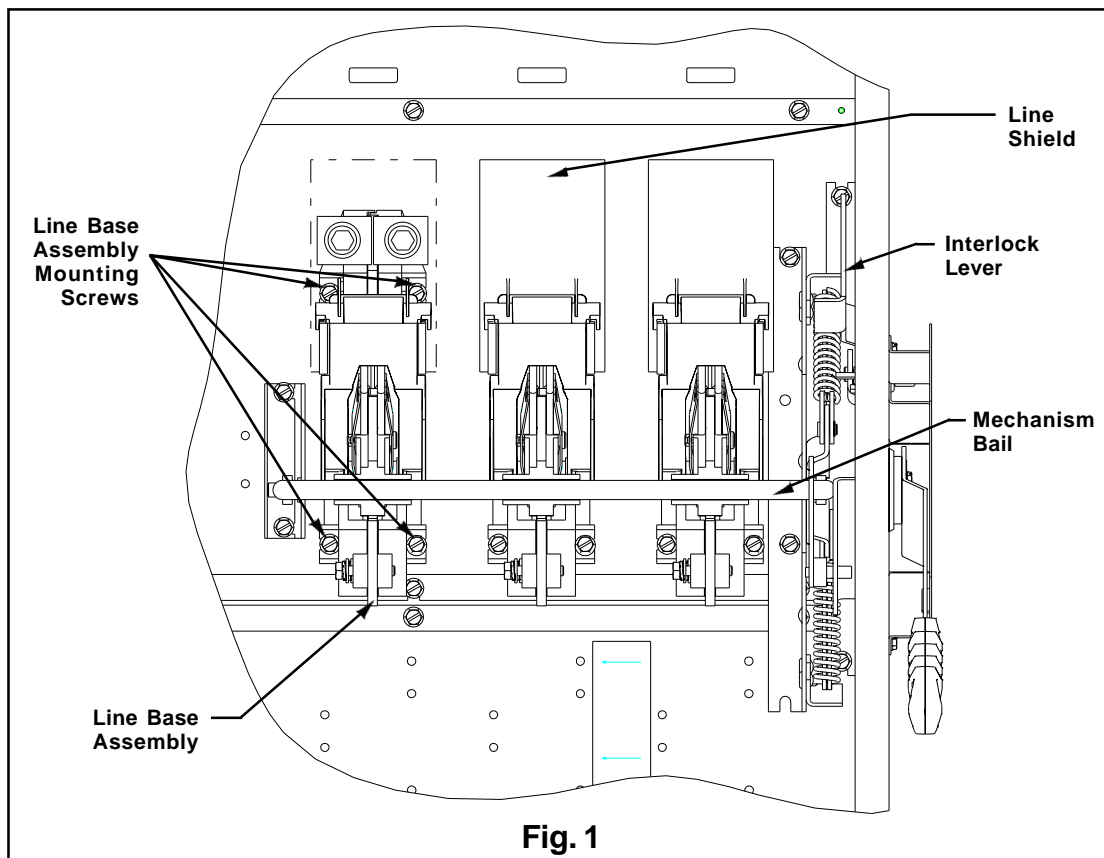
Replace line shields and close cover before restoring power to switch.

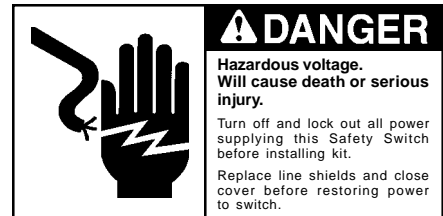
1. Turn **OFF** and lock out all power supplying the Safety Switch.
2. Turn the Safety Switch **OFF**.
3. Verify moveable contacts are in the **OFF** position. **See Figure 2.**
4. Verify that **NO** voltage is present at the wire grips.
5. Remove fuses if installed.
6. Remove line shields.
7. Remove all conductors from the line base.
8. Loosen two mounting screws on one side of the line base to be replaced, see **Figure 1.**
9. Remove two mounting screws on the opposite side of the line base to allow the line base to slide along the mechanism bail.



SAFETY INSTRUCTIONS

Note: This instruction outlines recommended installation procedure.





Installation Instructions for Replacement Line Base Kit

10. Slide line base along the mechanism bail away from the loosened screws. Rotate line base around bail and lift to remove from switch.
11. Place line base bail insulator into mechanism bail and rotate new line base assembly onto position, see **Figure 2**. Slide line base assembly into mounting screws left loosened above. Insert the two (2) $\frac{1}{4}$ - 20 x $\frac{1}{2}$ " mounting screws but do not tighten.
12. **While all power supplying the Safety Switch is still OFF and locked out:**
 - a. Move the Safety Switch Handle to the **ON** position (Hold Interlock Lever below the front of the enclosure to operate switch with the door open. **See Figure 2**)
 - b. Torque Mounting Screws to 64 lb-ins to secure Line Base Assembly.
 - c. Turn the Safety Switch **OFF**.
13. Reinstall any accessory kits attached to the original line base assembly per the instructions included in this kit. These may include: Wire Grip Kit (Cu) and Compression Lug Mounting Kit.
14. Reinstall line base conductors. Torque lugs to the wire tightening torque values listed in the Terminal & Wire Information Table on the interior label.
15. Install fuses, if removed in step 3.
16. **While the power supplying this switch is still OFF**, check switch operation. Cycle mechanism while checking for smooth switch operation and moveable contact movement. (Hold interlock lever below the front of the enclosure to operate switch with the door open.) (**See Figure 1**) If switch does not operate in a smooth manner, or if there are any questions about replacement kit installation, contact Customer Service 1-800-241-4453.
17. Replace all line shields.
18. Close cover before restoring power to the safety switch.

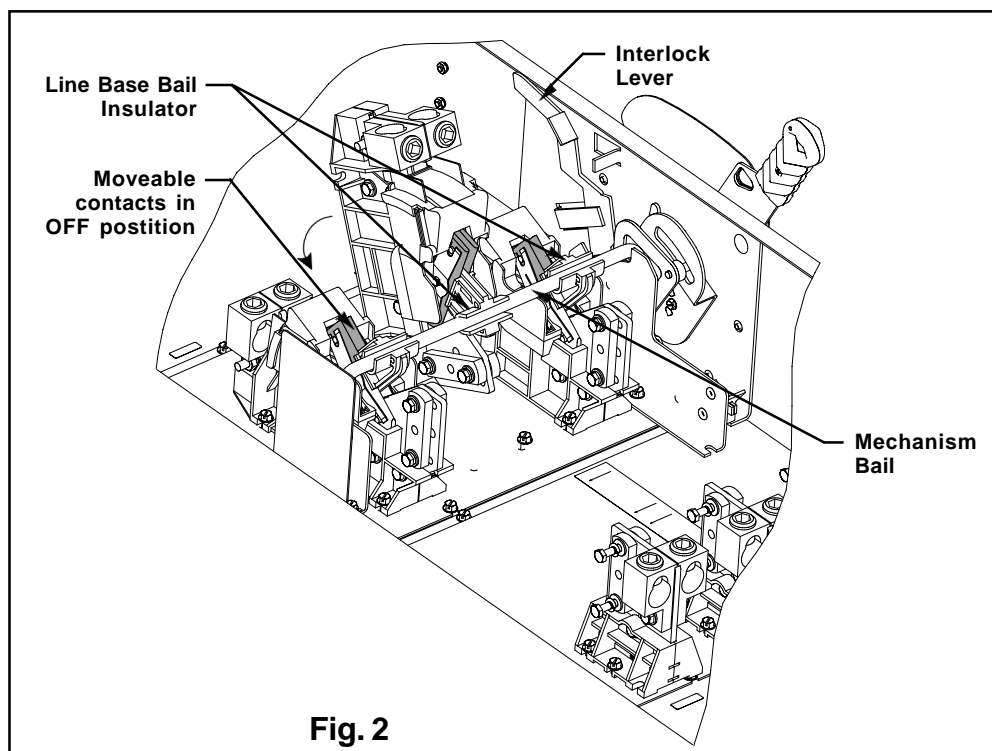


Fig. 2