

Siemens Industry, Inc.  
Norcross, GA 30092 U.S.A.

For questions call 1-800-241-4453 or our web site:  
<http://www.usa.siemens.com/powerdistribution>


Item: Fuse

For use with:  
400 & 600 Amp Heavy Duty Fused VBII  
Safety Switches

Page 1 of 1

Pc. No. 508198A02

## Fuse Installation Instructions

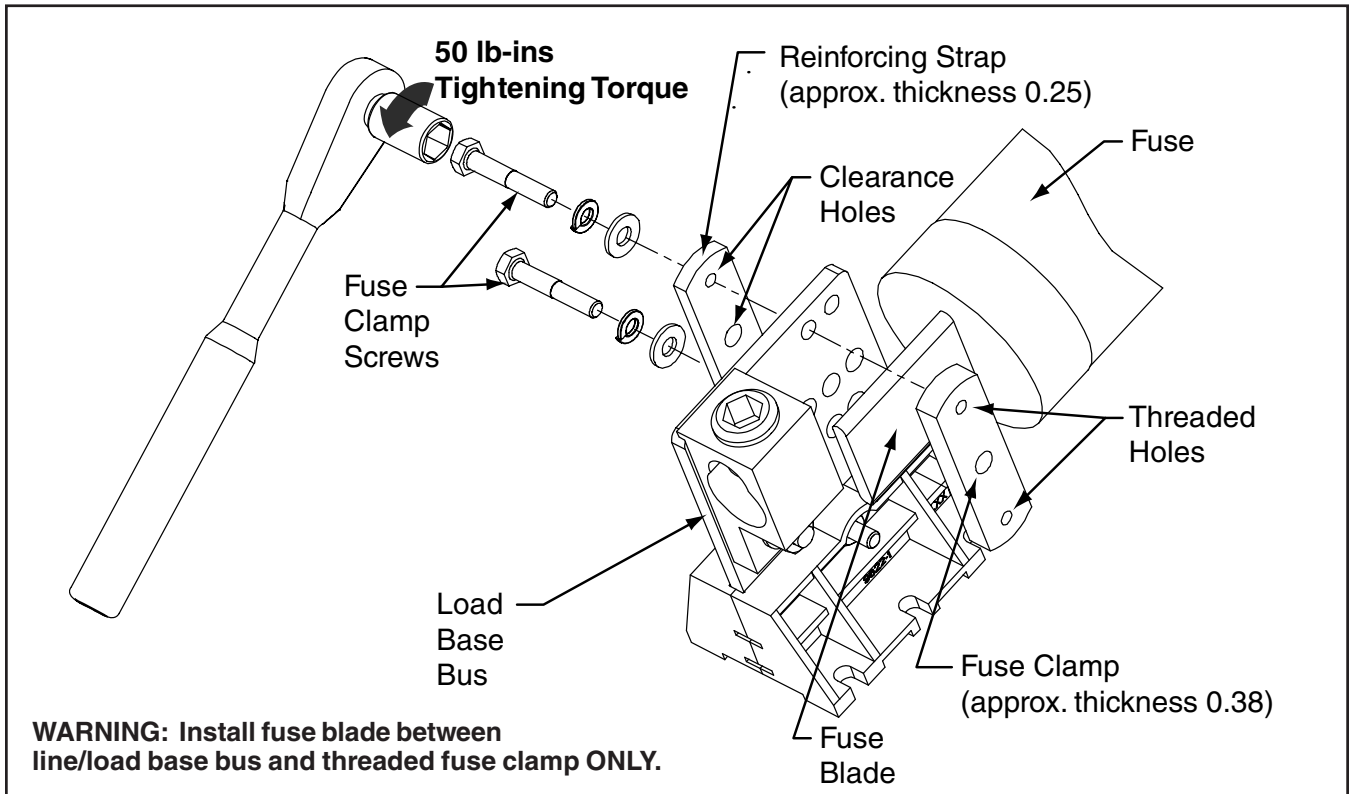


**⚠ DANGER**  
**Hazardous voltage.**  
**Will cause death or serious injury.**  
Turn off and lock out all power supplying this Safety Switch before working inside.  
Replace line shields and close cover before restoring power to switch.

**⚠ SAFETY INSTRUCTIONS**

**Note:** This instruction outlines recommended installation procedure.

1. Turn OFF and lock out the power supplying the Safety Switch.
2. Turn the Safety Switch OFF.
3. Line Base Assembly: Loosen but do not remove (2) Fuse Clamp screws. Load Base Assembly: Loosen but do not remove bottom Fuse Clamp screw. Remove top Fuse Clamp screw from Fuse Clamp. See Figure 1.
4. Position fuse blades between Line Base Bus and Fuse Clamp and between Load Base Bus and Fuse Clamp.
5. Install top screw in Load Base Fuse Clamp and torque all screws to 50 lb-ins.
6. Close cover before turning power ON.



**Figure 1**  
**Load Base Shown**

Siemens Industry, Inc.  
Norcross, GA 30092 U.S.A.

For questions call 1-800-241-4453 or our web site:  
<http://www.usa.siemens.com/powerdistribution>


Item: Fuse

For use with:  
800 ( MOD A ) Amp Heavy Duty Fused  
Safety Switches

Page 1 of 1

Pc. No. 508198B02

## Fuse Installation Instructions



**⚠ DANGER**

**Hazardous voltage. Will cause death or serious injury.**

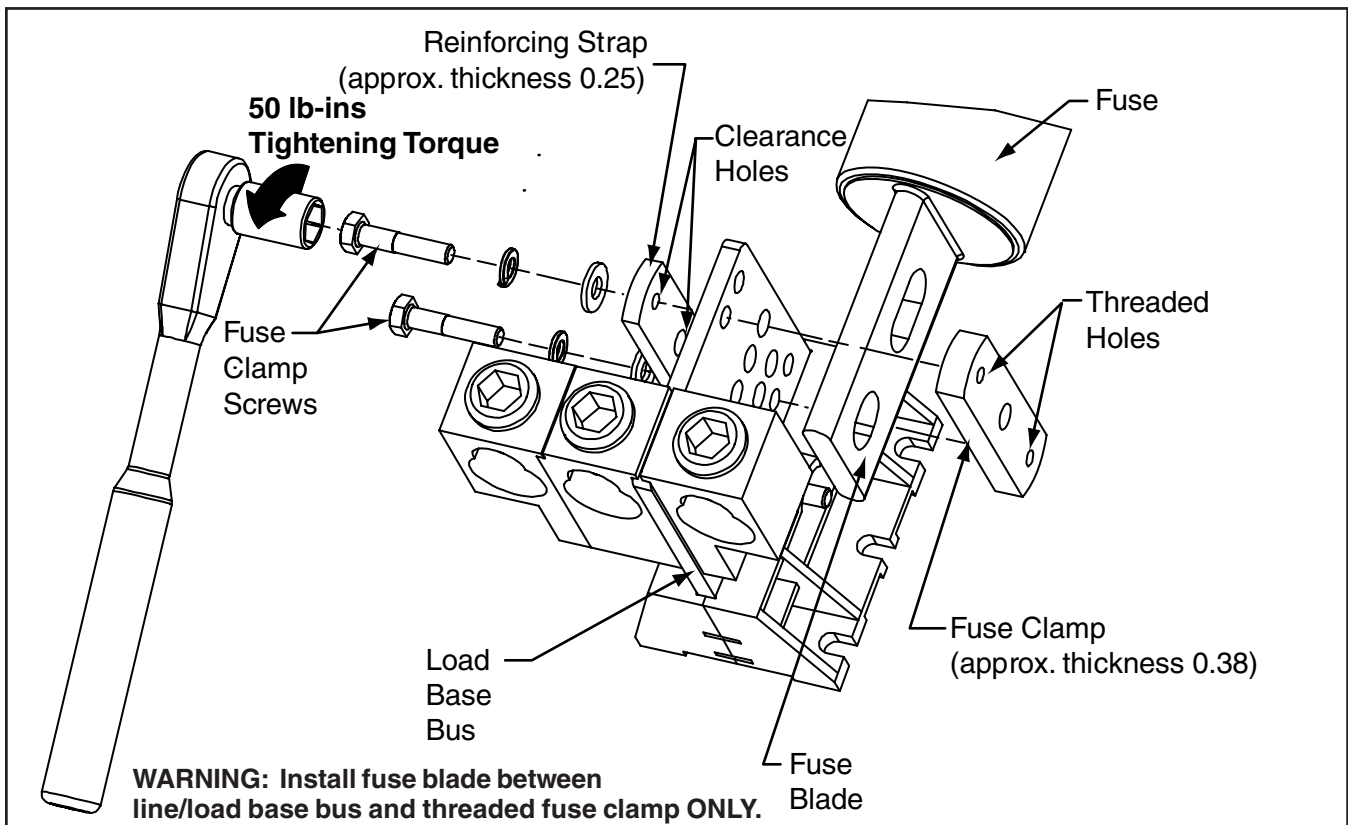
Turn off and lock out all power supplying this Safety Switch before working inside.

Replace line shields and close cover before restoring power to switch.

**⚠ SAFETY INSTRUCTIONS**

**Note: This instruction outlines recommended installation procedure.**

1. Turn OFF and lock out the power supplying the Safety Switch.
2. Turn the Safety Switch OFF.
3. Line Base Assembly: Loosen but do not remove (2) Fuse Clamp screws. Load Base Assembly: Loosen but do not remove bottom Fuse Clamp screw. Remove top Fuse Clamp screw from Fuse Clamp. See Figure 1.
4. Position fuse blades between Line Base Bus and Fuse Clamp and between Load Base Bus and Fuse Clamp.
5. Install top screw in Load Base Fuse Clamp and torque all screws to 50 lb-ins.
6. Close cover before turning power ON.



**Figure 1**  
**Load Base Shown**