

Heavy Duty Safety Switch with Viewing Window

Type VBII, 30 Amp, Type 3R (Outdoor)

Standards and Ratings

- UL Listed under file #E4776
- Meets UL98 for switches and UL 50 for enclosures
- Meets NEMA Standard KS-1 for enclosed switches
- Meets NEC wire bending space requirements
- Rated 10,000 AIC with Class H fuses or 200,000 AIC with Class R and J fuses
- Rated 10,000 AIC at 250Vdc with Class R or J fuses
- I²t rated (Amps² x Seconds = 50,000)
- 12X overload current rating exceeds 10X industry standard
- Suitable for use as service entrance equipment

Features

- Quick-make and break switching action
- Double break visible blade design
- Highly visible ON/OFF indication
- Window permits viewing of both visible blades and indicating type fuses
- Rugged installer friendly enclosure design
- Modular design allows quick and easy replacement of parts
- Front removable lugs which can easily be converted to copper body or compression type lugs
- Defeatable dual cover interlock

General Information

Catalog Number	Volts	Description	Shipping Weight (lbs.)
HF361RW	600	3 Pole, 3 Wire, Fusible	15

Horsepower Ratings^{1 2 3} - 600 Volts

Catalog Number	1 Phase, 480V AC		3 Phase, 600V AC		600V DC
	Std	Max	Std	Max	DC
HF361RW	5	15	7 ½	20	—

Mechanical Lug Wire Ranges (60/75°C, Cu/Al)

Description	Wire Range
Line, Load	#12-6 AWG (Al) or
Neutral	#14-6 AWG (Cu)
Ground	#14-4 AWG

¹ Dual horsepower ratings: Std - applies when non-time delay fuses are installed.

Max - applies when time-delay fuses are installed.

² Horsepower ratings listed also apply to Design E motors with no derating.

³ Also rated 5HP at 250V DC.

Product Specification Sheet HD30.26

Answers for industry.

SIEMENS

Product Specification Sheet #HD30.26 (page 2 of 2)

Accessories

Catalog Number	Description
HA161234	One Normally Open and Closed Auxiliary Switches
HA261234	Two Normally Open and Closed Auxiliary Switches
HA361234	Low Voltage Auxiliary Switch
HG61234	Equipment Ground Lug Kit
HG261234	Isolated Equipment Ground Lug Kit
HP61	Fuse Puller (3 per kit)
HN612	Neutral Kit
HR612	600 Volt Class R Fuse Clip Kit (3 fuse clips per kit)
HLC612	Copper Lug Kit (9 lugs per kit)
HCL612	Compression Lug Neutral Barrier Kit
HS075	0.75" Type "HS" Outdoor Hub
HS100	1.00" Type "HS" Outdoor Hub

Replacement Parts

Catalog Number	Description
HFB612	600 Volt Line Side Replacement Base
HBB612	600 Volt Load Side Replacement Base
HH6123	Replacement Handle/Handle Guard
HL612	Replacement Lugs (3 lugs per kit)
HM6123	Replacement Mechanism

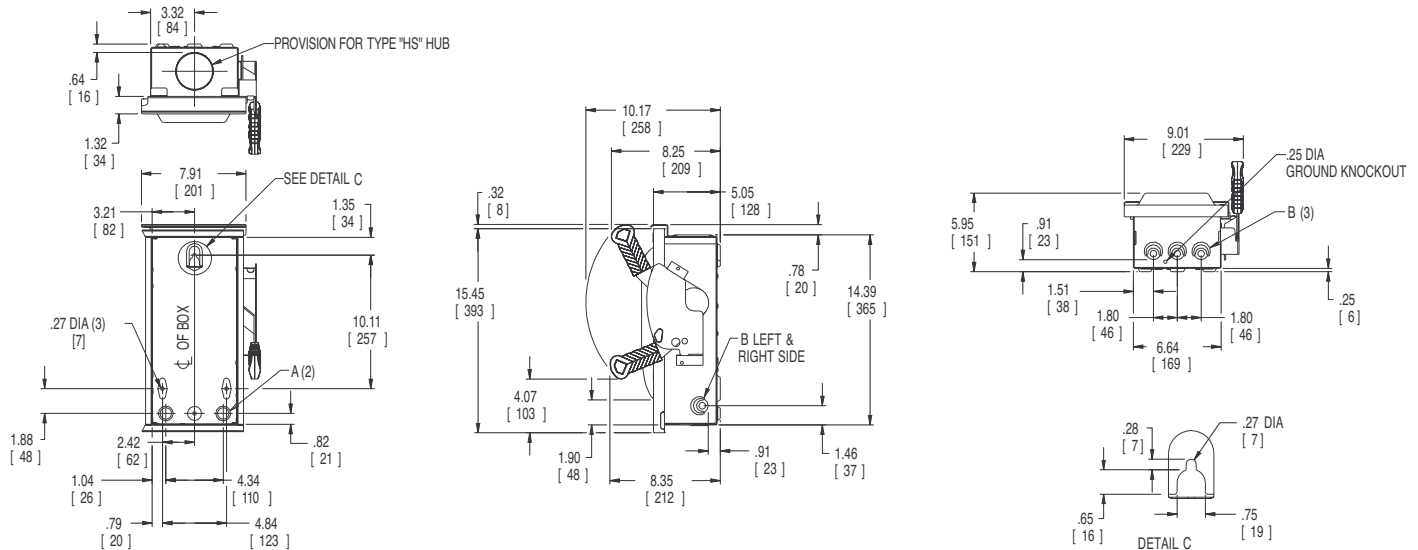
Compression Lugs ¹

Wire Size	Burdndy		Thomas-Betts		IlSCO	
	CU Only	CU/AL	CU Only	CU/AL	CU Only	CU/AL
#14-10				60096 60097		
#8	YA8C-L BOX YA8C-L1 BOX		54104 54130	60101 60102 61102	CRA-8	ACL-8 ACN-8
#6				61107		

¹ If compression lugs are used for the neutral, order compression lug neutral barrier kit HCL612.

Note: A viewing window is supplied in the door which is 3.53" wide and 3.00" high and is centered over the visible blades.

Dimension Drawing



Dimensions shown in inches and millimeters ().
Dimension shown accurate to ± 1/8 inch.

KNOCKOUT CODE	CONDUIT SIZE		
	.75	1.00	1.00
A (Concentric)	.75	1.00	1.00
B (Tangential)	.50	.75	1.00

	LINE SIDE WIRE BEND	LOAD SIDE WIRE BEND
	600V fused	3.02 (77)

Enclosure: Galvanized Steel
.054 Thick (17 Gauge)
Finish: ANSI Grey #61 Paint

Siemens Industry, Inc.
5400 Triangle Parkway
Norcross, GA 30092

Subject to change without prior notice.
All Rights Reserved.
©2013 Siemens Industry, Inc.

Siemens is a registered trademark of Siemens AG. Product names mentioned may be trademarks or registered trademarks of their respective companies. Specifications are subject to change without notice.

1-800-241-4453
info.us@siemens.com

www.usa.siemens.com/switches