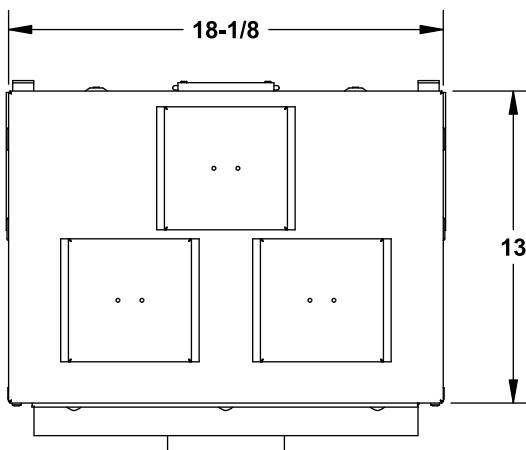


Features

- TYPE 3R OUTDOOR ENCLOSURE
- MAIN BUS RATING: 1200A MAX.
- 208Y/120 Volts~, 3 Phase, 4 Wire
240/120 Volts~, 3 Phase, 4 Wire

Catalog Numbers

Catalog No.	Phase	Amperage Rating, Max.	Maximum Interrupting Rating
WXB3900N	3	900	65,000
WXB3900NU	3	900	100,000
WXB31000N	3	1000	65,000
WXB31000NU	3	1000	100,000
WXB31200N	3	1200	65,000
WXB31200NU	3	1200	100,000



Accessories

Ground Bar Kit: Catalog No. ECGB10

Terminal	Wire Size	Torque
Equipment	#10 - #14 CU	20 lb-in
Ground Bar	#10 - #12 AL	20 lb-in
	#8 CU/AL	25 lb-in
	#6 - #4 CU/AL	35 lb-in

USE ONLY NON-INTERCHANGEABLE TRIP BREAKER TYPES

Breaker Type	Rating
NXD6	65k AIC
HXXD6	100k AIC

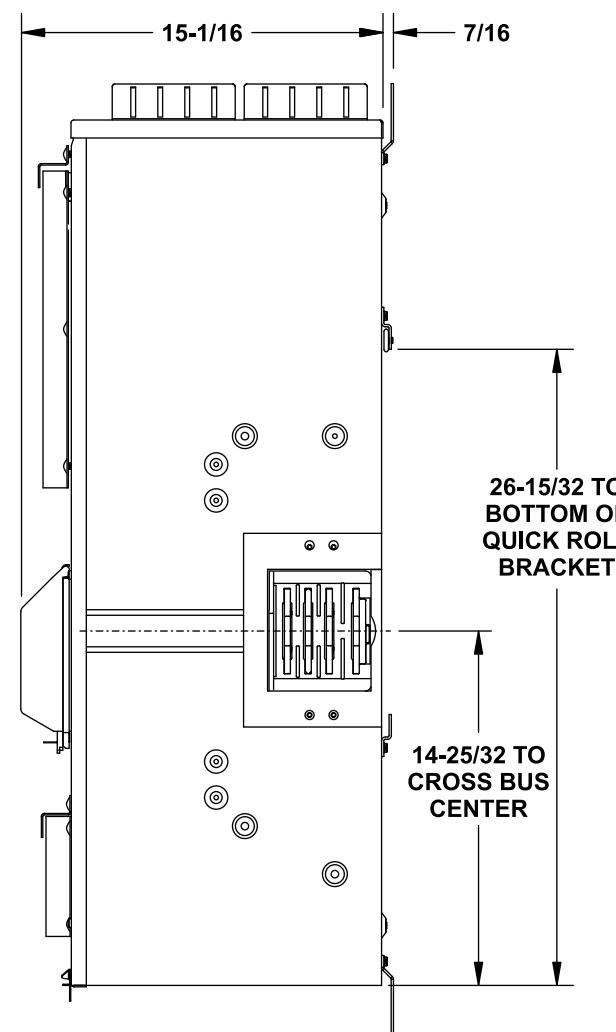
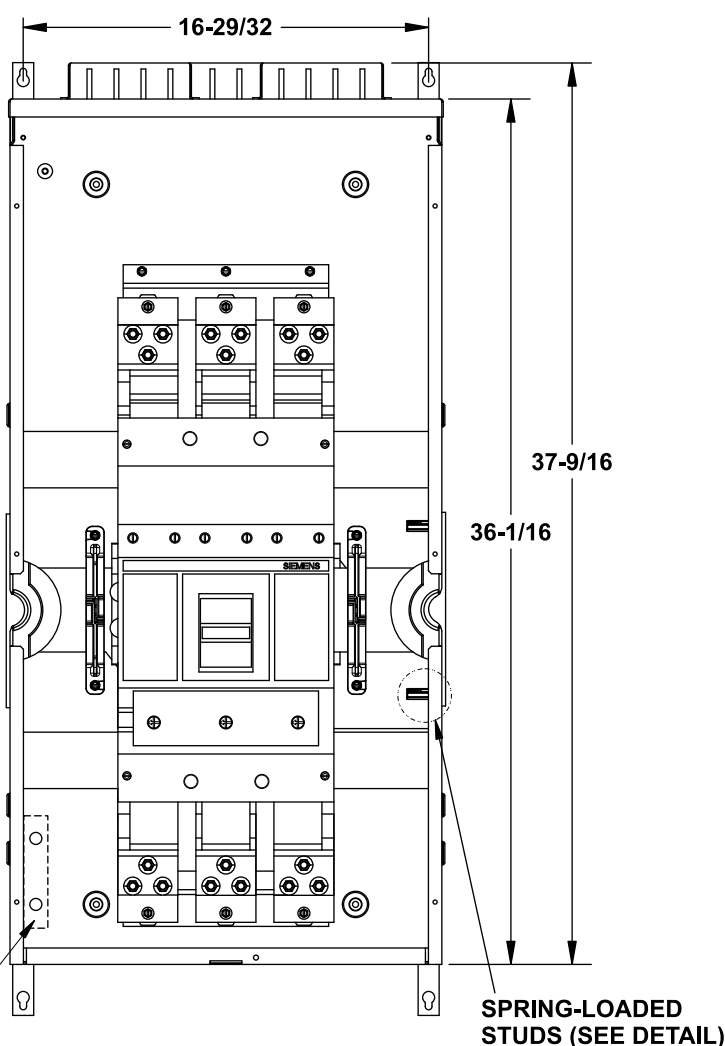
Accessory Description	Catalog No.
Breaker Cover Repl.	ECMMBCM
Cover Screws.	ECMFCS
Loose Parts Kit.	ECMFPK
Mounting Tabs (2)	ECMFAB
QuickRoll Wheel Clip.	ECMFWLCLIP
End Closure Plate	WMEP
Mounting Clip.	MMCLIP
Wall Mounting Rail (60")	MMZR60
Mounting Rail.	MMRAIL

Additional Modules

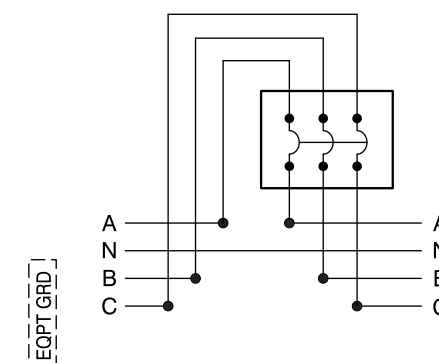
FOR USE WITH:		
Module Description	Siemens Series#	Murray Series#
Main Breakers	(W)MC, WB, WEB	DB W
Switches	WMP, WMS, WS, WES	DPT W, DT W
Tap/Terminal Boxes	WMTB, WTB, WET	DTB_W
Pull Boxes	WMMB, WT_PU	DPB_W
Meter Module	WMM, WxMM, WMT, WML, WMK	DG_W, DC_W, DL_W
Extension Box	WMEX, WSP	DS
Bussed Elbow	BE	DL

Connect Modules Using:	Catalog Number / Torque
QuickConnect	QC4 (3ph) 400-440 lb-in (35-36 ft.-lb.) Torque
Single Bolt Joint	SBJ4 (3ph) 400-480 lb-in (35-40 ft.-lb.) Torque

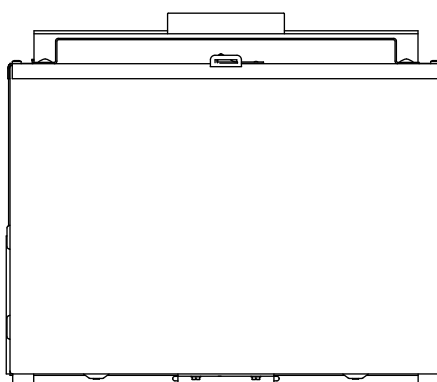
View Shown with Cover Removed



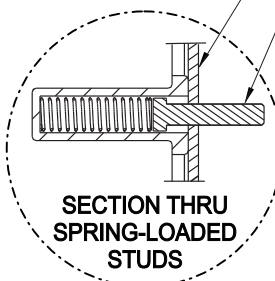
Schematic



When this module is used as a Service Disconnect, apply "Service Disconnect" label near the breaker handle cover. In all other applications, apply the "Feeder Breaker" label near the breaker handle cover.



#10-32 x 7/8 SCREWS
ENCLOSURE WALL



SECTION THRU
SPRING-LOADED
STUDS

© 2012 Copyright Siemens Industry, Inc.

SIEMENS
Siemens Industry, Inc.

PowerMod™ Cross Bus Main

Catalog Numbers:
3 Phase, 900-1200A, 65k-100kAIC Modules

Size B Dwg. No. **WXB3900N-WXB31200NU**

Dwn KAM Date 11/2/12 DO NOT SCALE DRAWING SHEET 1 OF 1