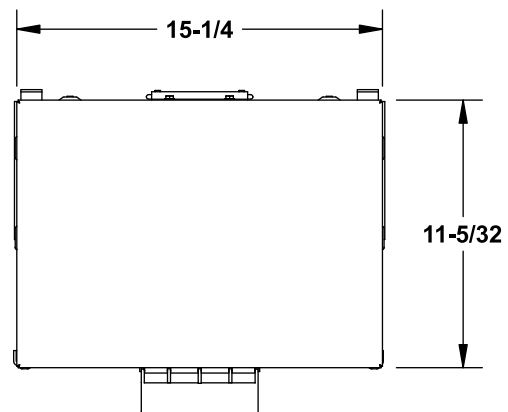


Features

- TYPE 3R OUTDOOR ENCLOSURE
- MAIN BUS RATING: 1200A MAX.
- 208Y/120 Volts~, 3 Phase, 4 Wire
240/120 Volts~, 3 Phase, 4 Wire

Catalog Numbers

Catalog No.	Phase	Amperage Rating, Max.	Maximum Interrupting Rating
WXB3200N	3	200	65,000
WXB3200NU	3	200	100,000
WXB3250N	3	250	65,000
WXB3250NU	3	250	100,000
WXB3300N	3	300	65,000
WXB3300NU	3	300	100,000
WXB3350N	3	350	65,000
WXB3350NU	3	350	100,000
WXB3400N	3	400	65,000
WXB3400NU	3	400	100,000



Accessories

Ground Bar Kit: Catalog No. ECGB10

Terminal	Wire Size	Torque
Equipment	#10 - #14 CU	20 lb-in
Ground Bar	#10 - #12 AL	20 lb-in
	#8 CU/AL	25 lb-in
	#6 - #4 CU/AL	35 lb-in

USE ONLY NON-INTERCHANGEABLE TRIP BREAKER TYPES

Breaker Type	Rating
JXD2-A	65k AIC
JXD6-A, HJXD6-A	100k AIC

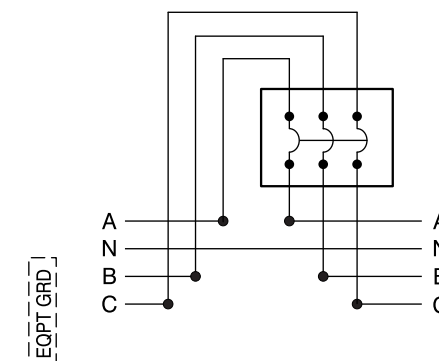
Accessory Description	Catalog No.
Breaker Cover Repl.	ECMMBCM
Cover Screws.	ECMFCS
Loose Parts Kit.	ECMFPK
Mounting Tabs (2)	ECMFTAB
QuickRoll Wheel Clip.	ECMFWLCLIP
End Closure Plate	WMEP
Mounting Clip.	MMCLIP
Wall Mounting Rail (60")	MMZR60
Mounting Rail.	MMRAIL

Additional Modules

FOR USE WITH:		
Module Description	Siemens Series#	Murray Series#
Main Breakers	(W)MC, WB, WEB	DB W
Switches	WMP, WMS, WS, WES	DPT W, DT W
Tap/Terminal Boxes	WMTB, WTB, WET	DTB_W
Pull Boxes	WMMB, WT_PU	DPB_W
Meter Module	WMM, WxMM, WMT, WML, WMK	DG_W, DC_W, DL_W
Extension Box	WMEX, WSP	DS
Bussed Elbow	BE	DL

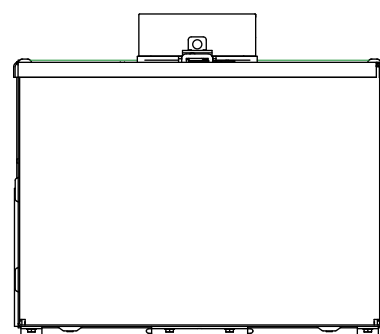
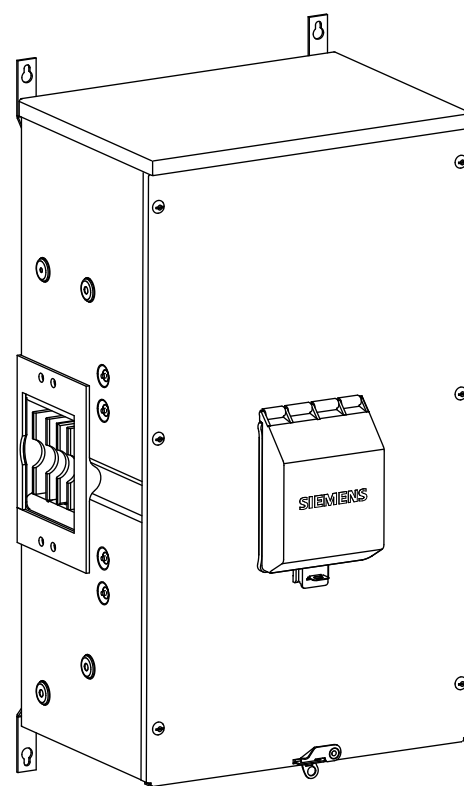
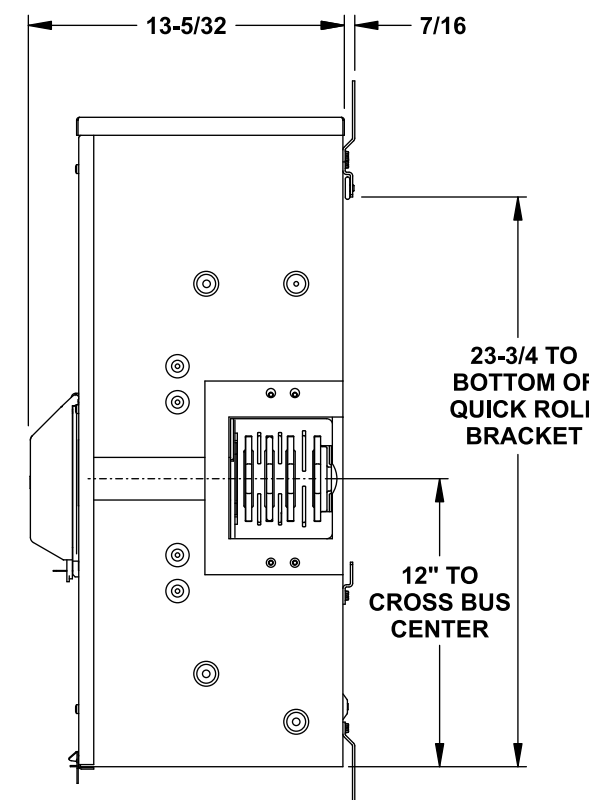
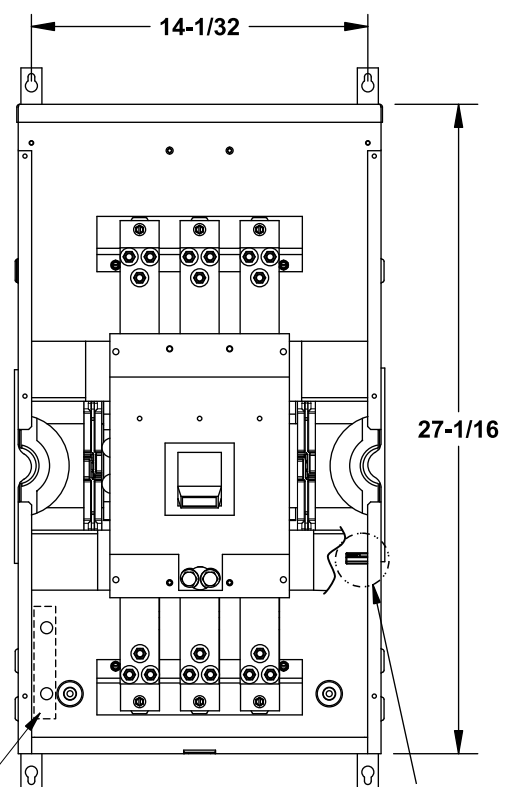
Connect Modules Using:	Catalog Number / Torque
QuickConnect	QC4 (3ph) 400-440 lb-in (35-36 ft.-lb.) Torque
Single Bolt Joint	SBJ4 (3ph) 400-480 lb-in (35-40 ft.-lb.) Torque

Schematic

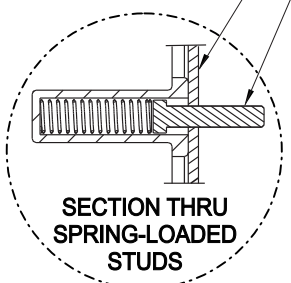


When this module is used as a Service Disconnect, apply "Service Disconnect" label near the breaker handle cover. In all other applications, apply the "Feeder Breaker" label near the breaker handle cover.

View Shown with Cover Removed



#10-32 x 7/8 SCREWS
ENCLOSURE WALL



© 2012 Copyright Siemens Industry, Inc.

SIEMENS
Siemens Industry, Inc.

PowerMod™ Cross Bus Main

Catalog Numbers:
3 Phase, 200-400A, 65k-100kAIC Modules

Size B Dwg. No. **WXB3200N-WXB3400NU**

Dwn KAM Date 11/2/12 DO NOT SCALE DRAWING SHEET 1 OF 1