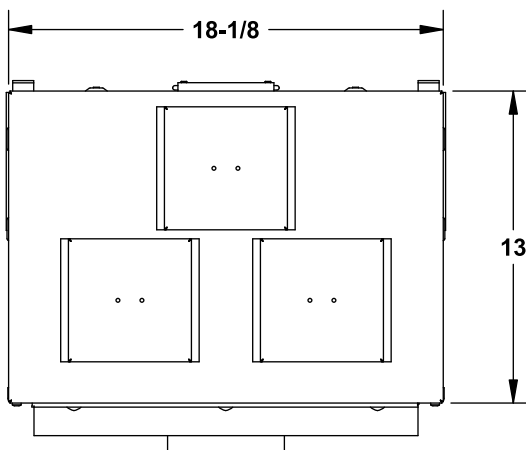


Features

- TYPE 3R OUTDOOR ENCLOSURE
- MAIN BUS RATING: 1200A MAX.
- 120/240 Volts~, 1 Phase, 3 Wire
- 208Y/120 Volts~, 1 Phase, 3 Wire (from 3 Phase, 4 Wire network)

Catalog Numbers

Catalog No.	Phase	Amperage Rating, Max.	Maximum Interrupting Rating
WXB1900N	1	900	65,000
WXB1900NU	1	900	100,000
WXB11000N	1	1000	65,000
WXB11000NU	1	1000	100,000
WXB11200N	1	1200	65,000
WXB11200NU	1	1200	100,000



Accessories

Ground Bar Kit: Catalog No. ECGB10

Terminal	Wire Size	Torque
Equipment	#10 - #14 CU	20 lb-in
Ground Bar	#10 - #12 AL	20 lb-in
	#8 CU/AL	25 lb-in
	#6 - #4 CU/AL	35 lb-in

USE ONLY NON-INTERCHANGEABLE TRIP BREAKER TYPES

Breaker Type	Rating
NXD6	65k AIC
HXXD6	100k AIC

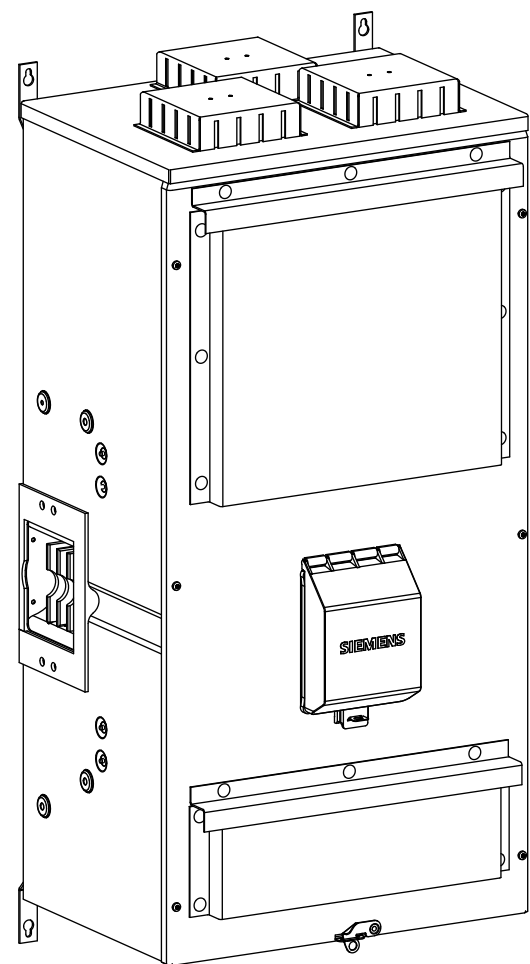
Accessory Description . Catalog No.

Breaker Cover Repl. ECMBCM
 Cover Screws ECMFCS
 Loose Parts Kit ECMFPK
 Mounting Tabs (2) ECMFTAB
 QuickRoll Wheel Clip ECMFWLCLIP
 End Closure Plate WMEP
 Mounting Clip MMCLIP
 Wall Mounting Rail (60") MMZRR60
 Mounting Rail MMRAL

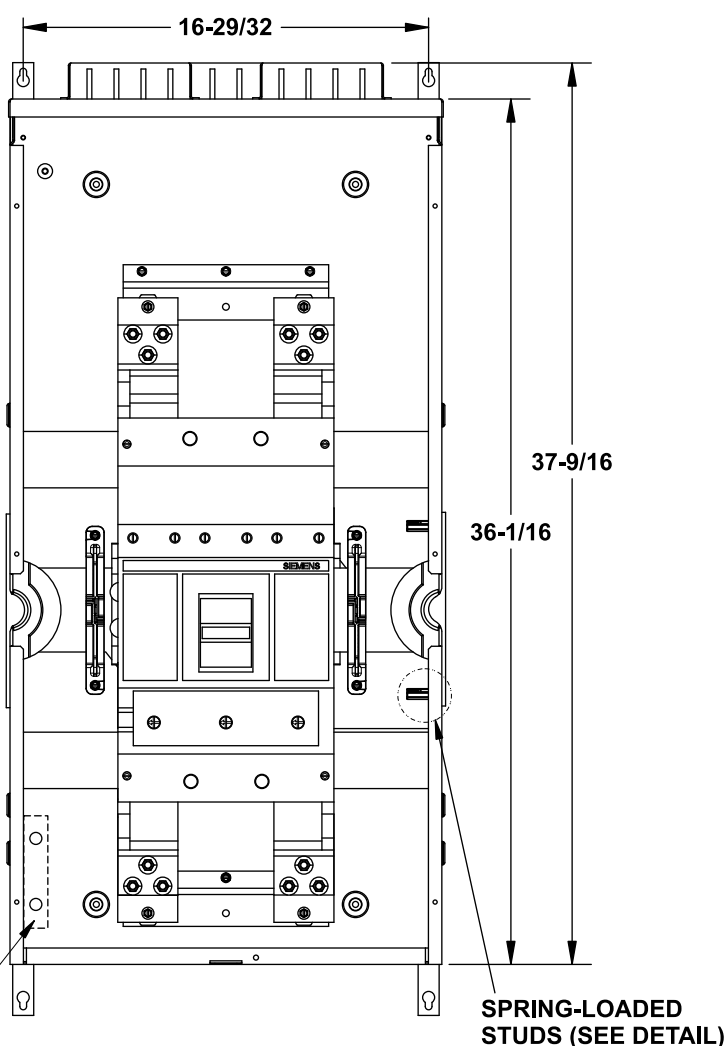
Additional Modules

FOR USE WITH:		
Module Description	Siemens Series#	Murray Series#
Main Breakers	(W)MC, WB, WEB	DB_W
Switches	WMP, WMS, WS, WES	DPT_W, DT_W
Tap/Terminal Boxes	WMTB, WTB, WET	DTB_W
Pull Boxes	WMMB, WT_PU	DPB_W
Meter Module	WMM, WxMM, WMT, WML, WMK	DG_W, DC_W, DL_W
Extension Box	WMEX, WSP	DS
Bussed Elbow	BE	DL

Connect Modules Using:	Catalog Number / Torque
QuickConnect	QC1 (1ph) 400-440 lb-in (35-36 ft.-lb.) Torque
Single Bolt Joint	SBJ1 (1ph) 400-480 lb-in (35-40 ft.-lb.) Torque

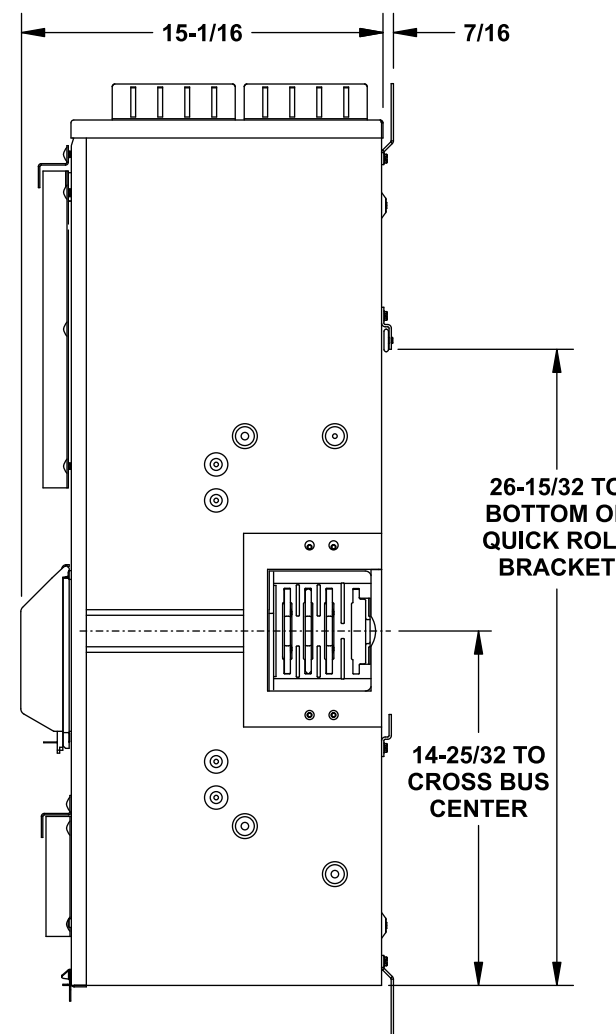


View Shown with Cover Removed



GROUND BAR PROVISION

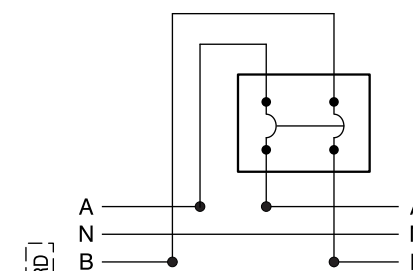
SPRING-LOADED STUDS (SEE DETAIL)



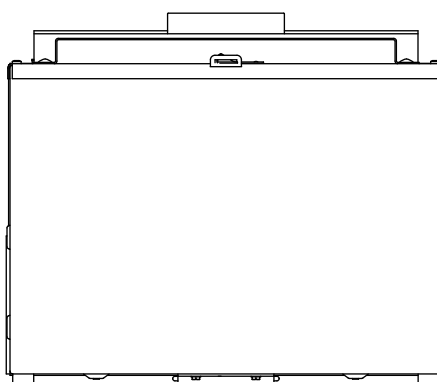
26-15/32 TO BOTTOM OF QUICK ROLL BRACKET

14-25/32 TO CROSS BUS CENTER

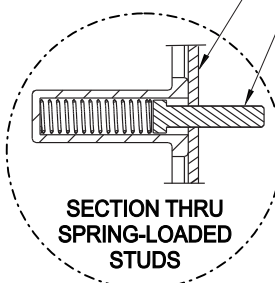
Schematic



When this module is used as a Service Disconnect, apply "Service Disconnect" label near the breaker handle cover. In all other applications, apply the "Feeder Breaker" label near the breaker handle cover.



#10-32 x 7/8 SCREWS ENCLOSURE WALL



SECTION THRU SPRING-LOADED STUDS

© 2012 Copyright Siemens Industry, Inc.

SIEMENS
Siemens Industry, Inc.

PowerMod™ Cross Bus Main

Catalog Numbers:
1 Phase, 900-1200A, 65k-100kAIC Modules

Size B Dwg. No. **WXB1900N-WXB11200NU**

Dwn KAM Date 11/2/12 DO NOT SCALE DRAWING SHEET 1 OF 1