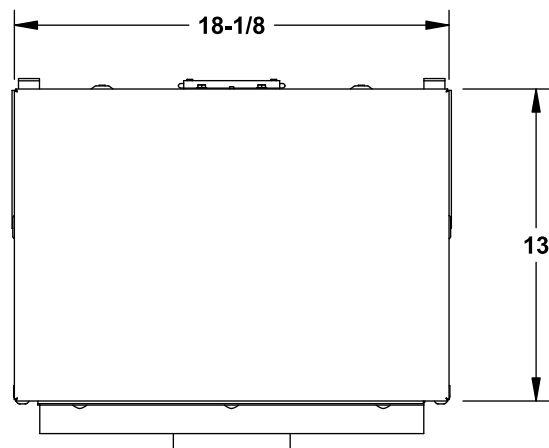


## Features

- TYPE 3R OUTDOOR ENCLOSURE
- MAIN BUS RATING: 1200A MAX.
- 120/240 Volts~, 1 Phase, 3 Wire  
208Y/120 Volts~, 1 Phase, 3 Wire  
(from 3 Phase, 4 Wire network)

## Catalog Numbers

Catalog No.	Phase	Amperage Rating, Max.	Maximum Interrupting Rating
WXB1700N	1	700	65,000
WXB1700NU	1	700	100,000
WXB1800N	1	800	65,000
WXB1800NU	1	800	100,000



## Accessories

Ground Bar Kit: Catalog No. ECGB10

Terminal	Wire Size	Torque
Equipment	#10 - #14 CU	20 lb-in
Ground Bar	#10 - #12 AL	20 lb-in
	#8 CU/AL	25 lb-in
	#6 - #4 CU/AL	35 lb-in

USE ONLY NON-INTERCHANGEABLE TRIP BREAKER TYPES

Breaker Type	Rating
MXD6	65k AIC
HMXD6	100k AIC

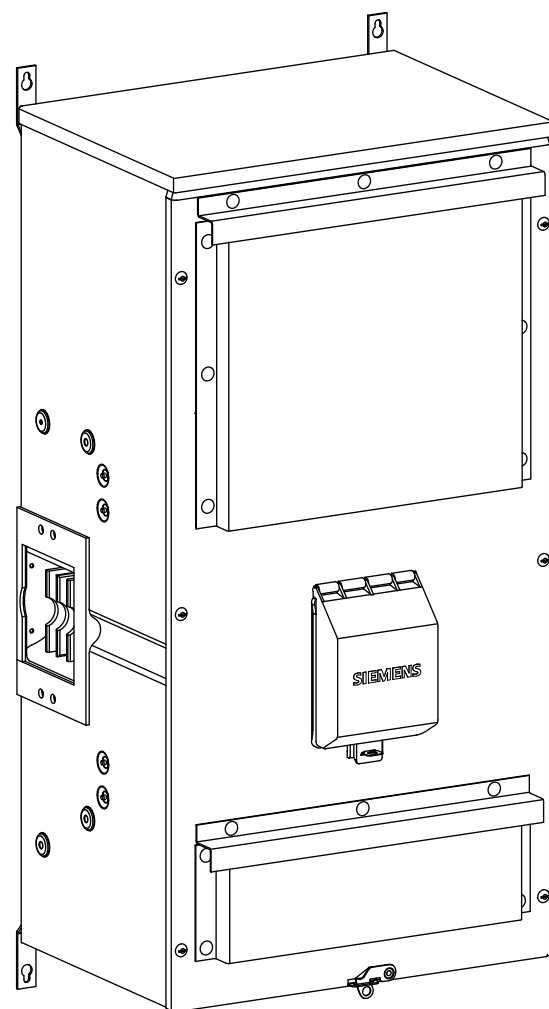
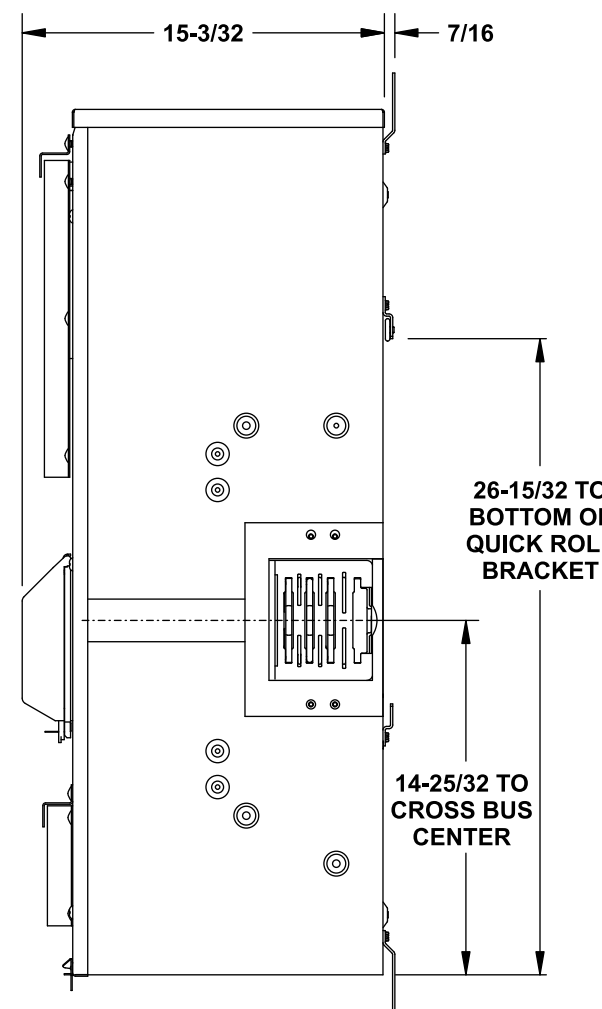
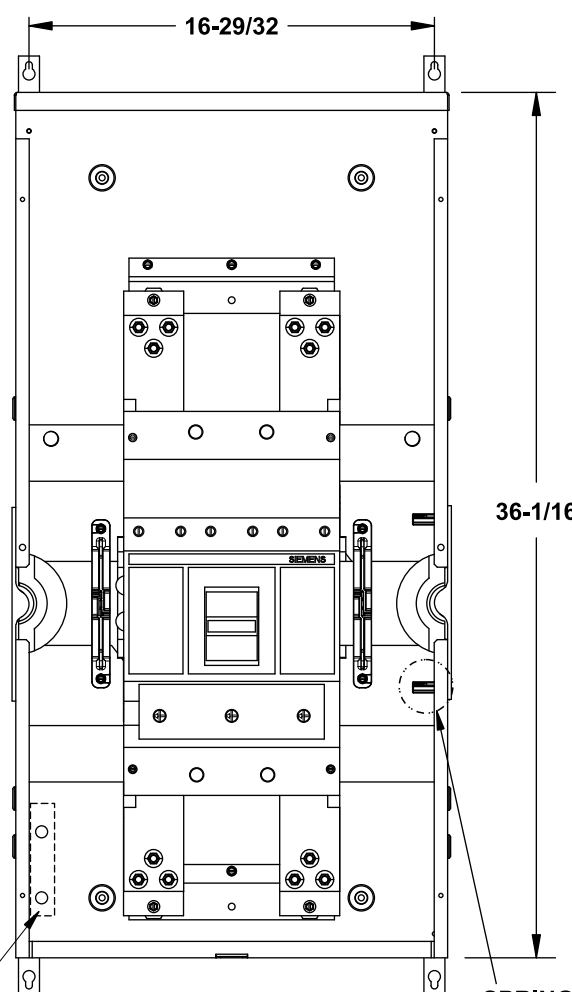
Accessory Description	Catalog No.
Breaker Cover Repl. . . . .	ECMMBCM
Cover Screws . . . . .	ECMFCS
Loose Parts Kit . . . . .	ECMFPK
Mounting Tabs (2) . . . . .	ECMFTAB
QuickRoll Wheel Clip . . . . .	ECMFWLCLIP
End Closure Plate . . . . .	WMEP
Mounting Clip . . . . .	MMCLIP
Wall Mounting Rail (60") . . . . .	MMZR60
Mounting Rail . . . . .	MMRAIL

## Additional Modules

FOR USE WITH:	Siemens Series#	Murray Series#
Main Breakers	(W)MC, WB, WEB	DB_W
Switches	WMP, WMS, WS, WES	DPT_W, DT_W
Tap/Terminal Boxes	WMTB, WTB, WET	DTB_W
Pull Boxes	WMMB, WT_PU	DPB_W
Meter Module	WMM, WxMM, WMT, WML, WMK	DG_W, DC_W, DL_W
Extension Box	WMEX, WSP	DS
Bussed Elbow	BE	DL

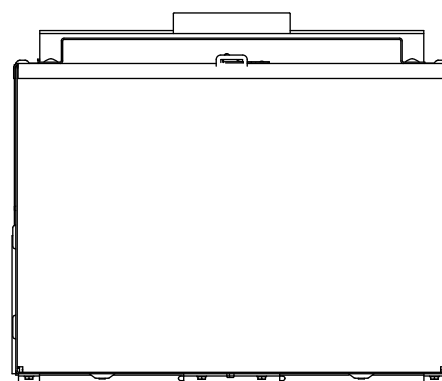
Connect Modules Using:	Catalog Number / Torque
QuickConnect	QC1 (1ph) 400-440 lb-in (35-36 ft.-lb.) Torque
Single Bolt Joint	SBJ1 (1ph) 400-480 lb-in (35-40 ft.-lb.) Torque

## View Shown with Cover Removed

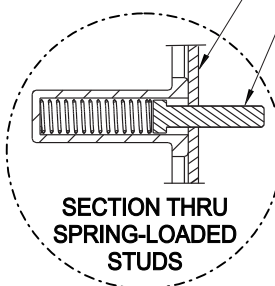


GROUND BAR PROVISION

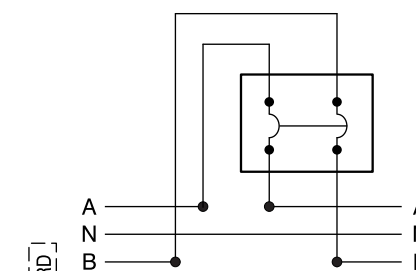
SPRING-LOADED STUDS (SEE DETAIL)



#10-32 x 7/8 SCREWS ENCLOSURE WALL



## Schematic



When this module is used as a Service Disconnect, apply "Service Disconnect" label near the breaker handle cover. In all other applications, apply the "Feeder Breaker" label near the breaker handle cover.

© 2012 Copyright Siemens Industry, Inc.

**SIEMENS**  
Siemens Industry, Inc.

**PowerMod™ Cross Bus Main**

Catalog Numbers:  
**1 Phase, 700-800A, 65k-100kAIC Modules**

Size B Dwg. No. **WXB1700N-WXB1800NU**

Dwn KAM Date 11/2/12 DO NOT SCALE DRAWING SHEET 1 OF 1