

Catalog Numbers, Ratings and Features

Catalog No.	Meter Socket Cover	Main Breaker (MB1)		SubFeed Brkr (MB2)		Jaws
		Amps Max	Catalog No.	Amps Max	Catalog No.	
WCT2040B2T2J	RING TYPE	200	HFD62B200	50	HED42B050	5
WCT2040B2T3J	RING TYPE	175	HFD62B175	60	HED42B060	5
WCT2040B2T4J	RING TYPE	175	HFD62B175	70	HED42B070	5
WCT2040B2T5J	RING TYPE	150	HFD62B150	80	HED42B080	5
WCT2040B2T6J	RING TYPE	150	HFD62B150	90	HED42B090	5
WCT2040B2T7J	RING TYPE	150	HFD62B150	100	HED42B100	5
WCT2040B2T8J	RING TYPE	125	HFD62B125	110	HED42B110	5
WCT2040B2T9J	RING TYPE	125	HFD62B125	125	HED42B125	5

- Type 3R Outdoor Enclosure
- Main Bus Rating: 1200A Max.
- Meter Socket Rating: 200A Continuous
- (20) 1" Positions, (40) Circuits Max.
- 3 Phase In, 1 Phase Out
- 208Y/120 Volts AC, 3 Phase, 4 Wire
- 240/120 Volts AC, 3 Phase, 4 Wire Delta
- 100K AIC Max. Short Circuit Current Rating (See Wiring Diagram for Details)



Circuit Breakers

Siemens Branch Breaker Types:
QP, QPH, HQP, QT, QAF, QAFH, QAF2, QAF2H, HQAF2, QPF, QPFH, QE, QEH, QNR, QNRH, HQNR

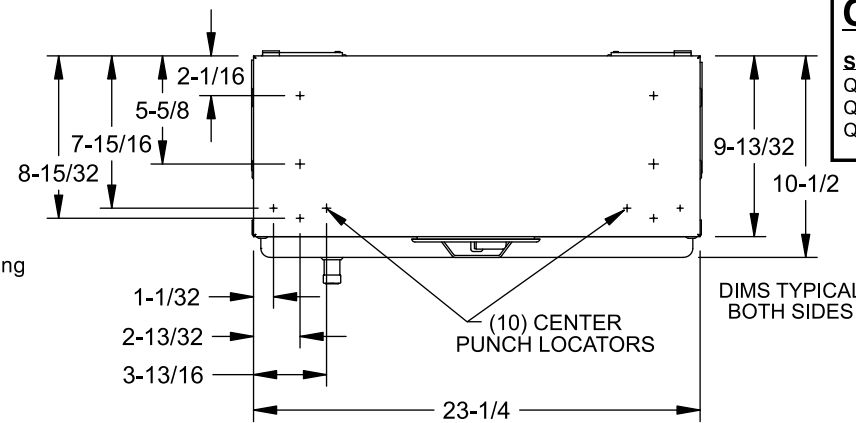
Additional Modules

Connect Modules Using:
QuickConnect Catalog No: QC4
Torque: 400-440 lb-in (35-36 ft.-lb.)
Single Bolt Joint Catalog No: SBJ4
Torque: 400-480 lb-in (35-40 ft.-lb.)

Use with Module . . . Siemens Series#
Main Breakers (W)MC, WB, WEB, WXB
Switches WMP, WMS, WS, WES
Tap/Terminal Boxes . . . WMTB, WTB, WET, WT_PU
Pull Boxes WMMB
Meter Module (W)MM, WxMM, (W)MT, (W)ML, (W)MK
Meter Combinations . . . WC, WCL, WCT
Extension Box WMEX, WSP, WSPD
Busseled Elbow BE

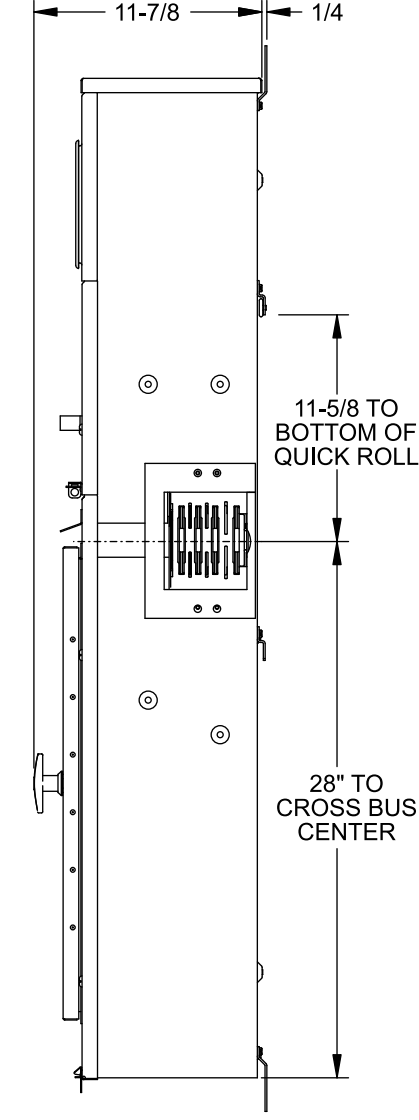
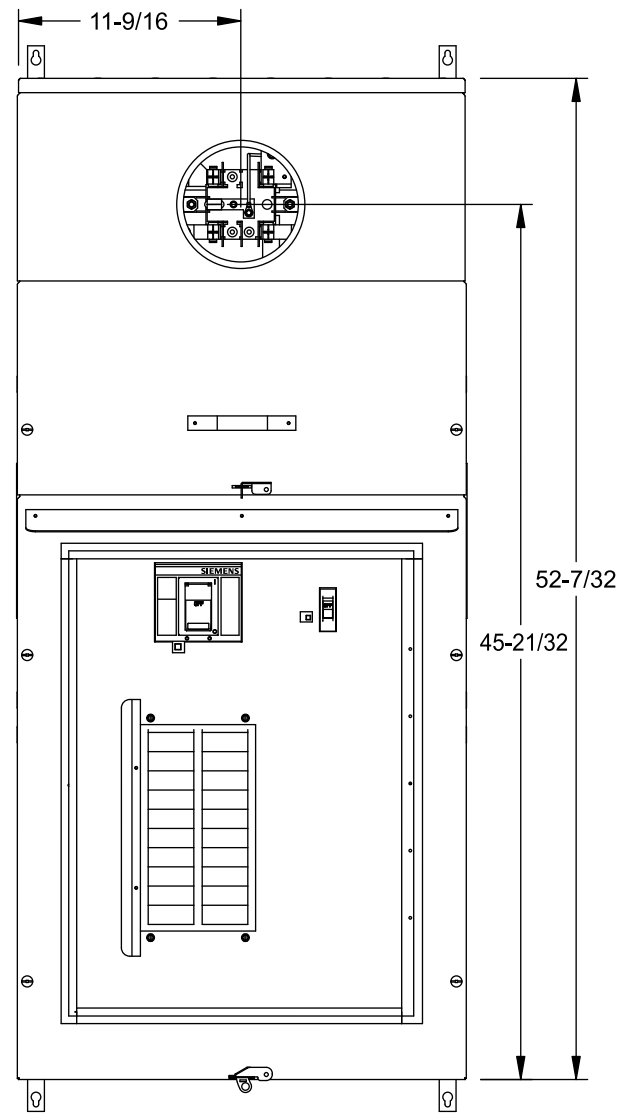
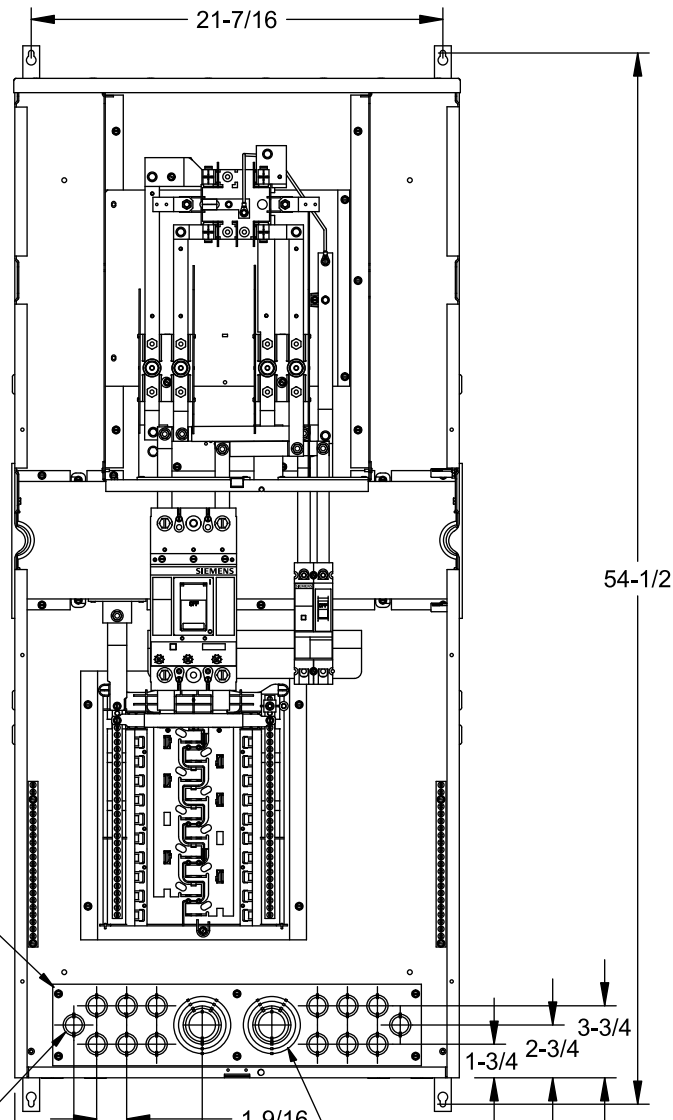
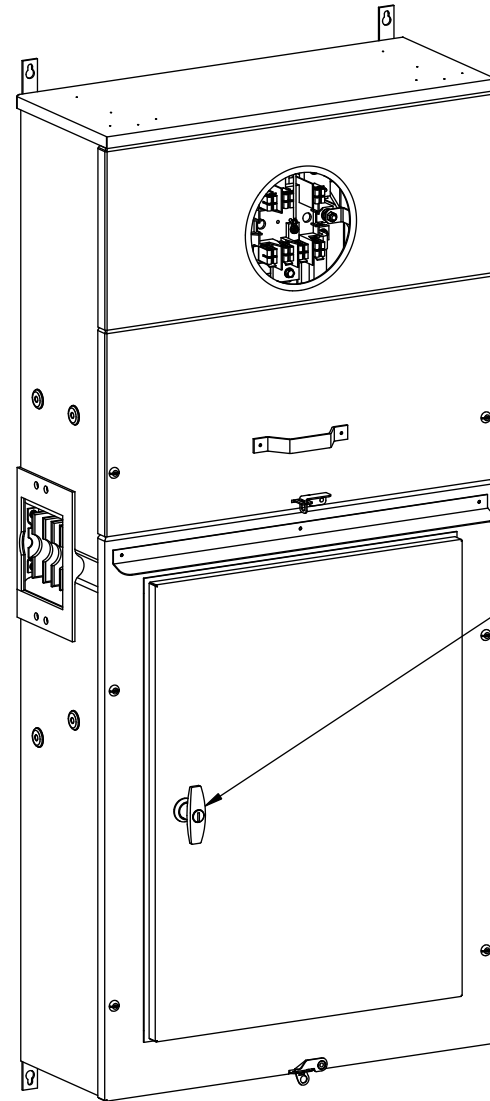
Accessories

Accessories	Cat. No.
1" Filler Plate	ECQF3
SubFeed Lug Kit	ECLK2125
SubFeed Lug Kit	ECLK2225
Neutral Lug Kit	ECLK1-2
Neutral Lug Kit	ECLK2
End Closure Plate	WMPE
Meter Cover Plate	ECCP3
Mounting Tabs (2)	ECMFTAB
Back Rail/Clip	ECMFWLCLIP
Mounting Rail	MMRAIL
Wall Mounting Rail (60")	MMZR60
Arc Flash Label	ECAFL

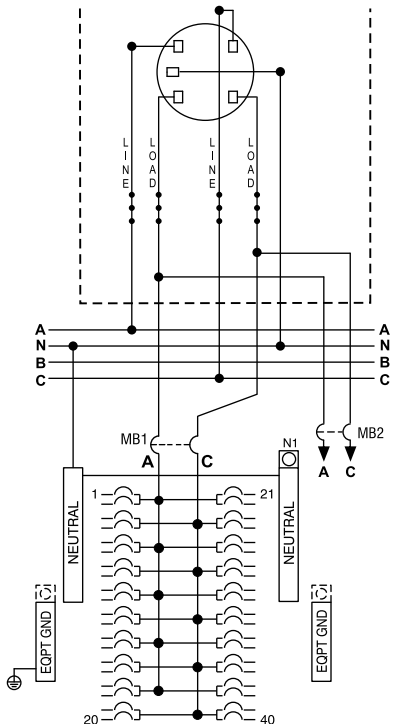


View Shown with Covers Removed

View Shown with Door Removed

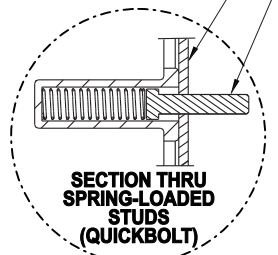


Schematic

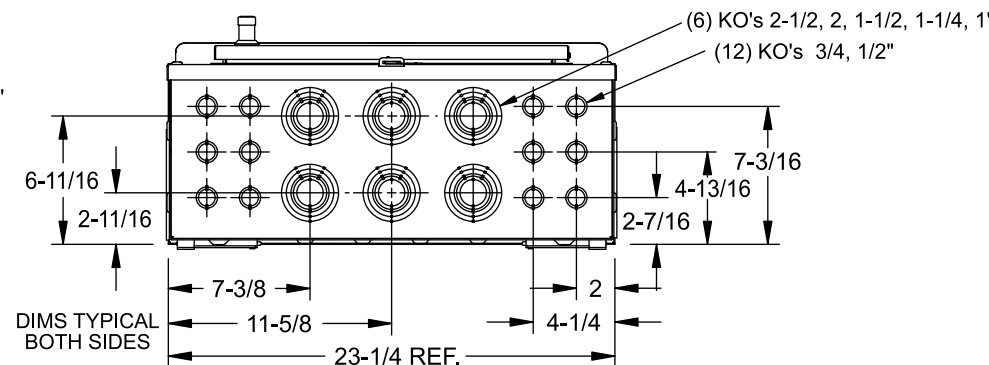


Terminal	Wire Size	Torque
N1	2/0 - #4 AWG	110 lb-in
Branch Breaker Terminals	See Markings on Breaker	
N1/Equip GND	#10 - #14 CU #10 - #12 AL #8 #6 - #4	20 lb-in 20 lb-in 25 lb-in 35 lb-in
Ground Conductors Only	(2) or (3) #14 AWG (2) #12-#10 AWG	20 lb-in 20 lb-in
Ground Bar/Neutral Lug Kits		
ECLK1-2	2/0 - #2 AWG	45 lb-in
ECLK2	2/0 - #4 AWG	135 lb-in

#10-32 x 7/8 SCREWS ENCLOSURE WALL



(2) KO's 2-1/2, 2, 1-1/2, 1-1/4, 1"



WCT2040B2T2J Shown

© 2013 Copyright Siemens Industry, Inc.

SIEMENS
Siemens Industry, Inc.

PowerMod™ Modular Metering

Catalog Numbers: **3in-1out, Test Block Bypass, 5 Jaw, 20 Position 40 Circuit Panel w/SubFeed Breaker**

Size B Dwg. No. **TBB_3-1_WB**