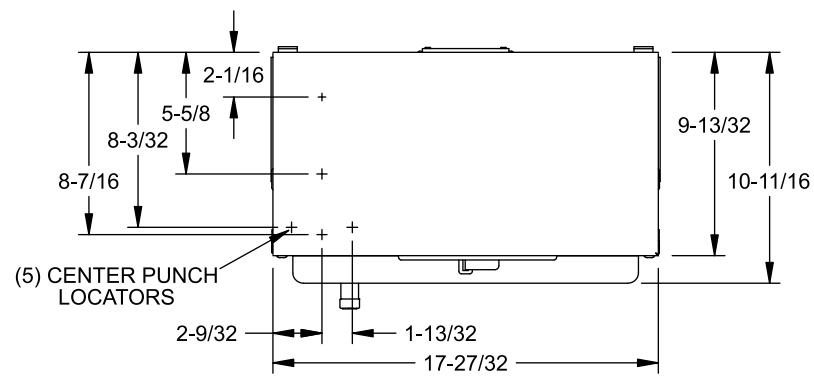


# Catalog Numbers, Ratings and Features

Catalog No.	Meter Socket Cover	Main Bus, 1200A Max	Main Breaker		Max. 1" Breaker Positions	Max. Circuits	Jaws
			Amps Max.	Catalog Number			
WCL2040B2T1RJ	RINGLESS	3 Phase	225	HFD62B225	20	40	5

- Type 3R Outdoor Enclosure
- Main Bus Rating: 1200A Max.
- Meter Socket Rating: 200A Continuous
- 3 Phase In, 1 Phase Out
- 208Y/120 Volts AC, 3 Phase, 4 Wire
- 240/120 Volts AC, 3 Phase, 4 Wire Delta
- 100K AIC Max. Short Circuit Current Rating (See Wiring Diagram for Details)



## Circuit Breakers

Use Siemens Branch Breaker Types:  
 QP, QPH, HQP, QT, QAF, QAFH,  
 QAF2, QAF2H, HQAF2, QPF, QPFH,  
 QE, QEH, QNR, QNRH, HQNR

## Additional Modules

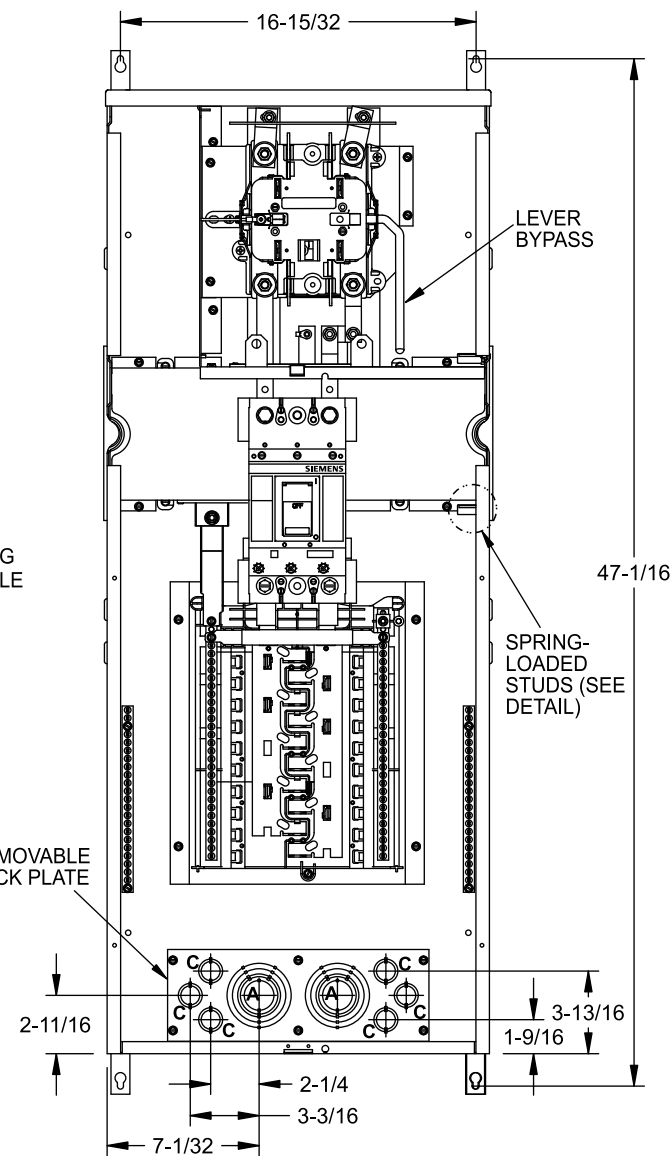
Connect Modules Using:  
 QuickConnect Catalog No: QC4  
 Torque: 400-440 lb-in (35-36 ft.-lb.)  
 Single Bolt Joint Catalog No: SBJ4  
 Torque: 400-480 lb-in (35-40 ft.-lb.)

Use with Module . . . . . Siemens Series#  
 Main Breakers . . . . . (W)MC, WB, WEB, WXB  
 Switches . . . . . WMP, WMS, WS, WES  
 Tap/Terminal Boxes . . . . . WMTB, WTB, WET, WT\_PU  
 Pull Boxes . . . . . WMMB  
 Meter Module . . . . . (W)MM, WxMM, (W)MT, (W)ML, (W)MK  
 Meter Combinations . . . . . WC, WCL, WCT  
 Extension Box . . . . . WMEX, WSP, WSPD  
 Bussed Elbow . . . . . BE

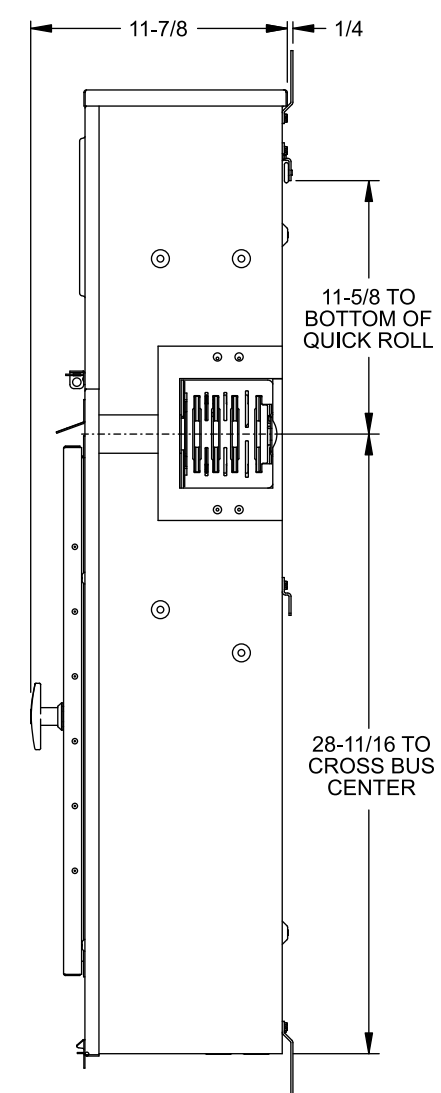
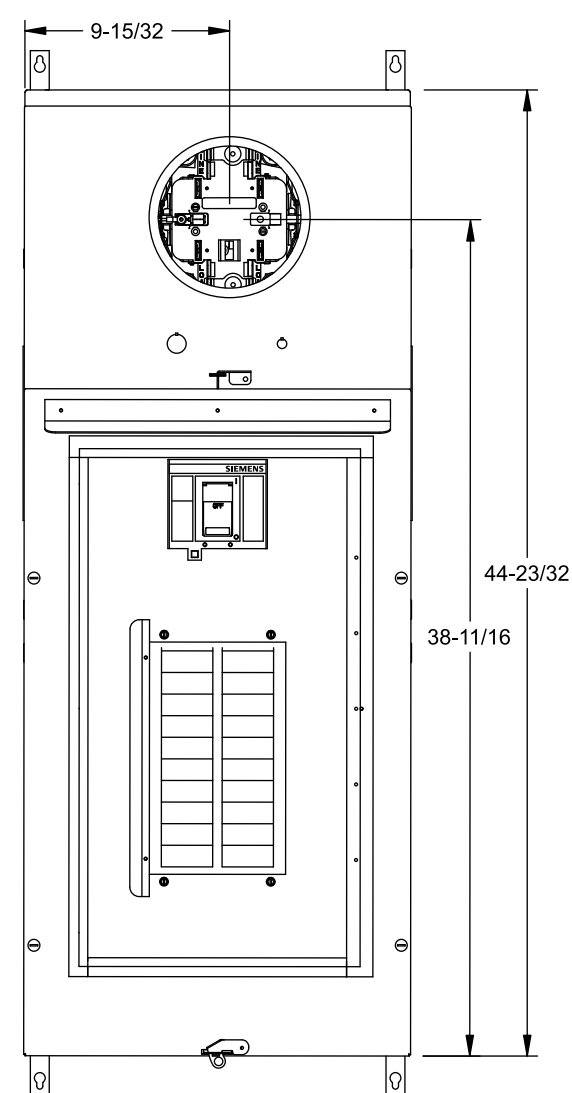
## Accessories

Accessories	Cat. No.
1" Filler Plate	ECQF3
SubFeed Lug Kit	ECLK2125
SubFeed Lug Kit	ECLK2225
Neutral Lug Kit	ECLK1-2
Neutral Lug Kit	ECLK2
End Closure Plate	WMPE
Meter Cover Plate	ECCP3
Mounting Tabs (2)	ECMFTAB
Back Rail/Clip	ECMFWLCLIP
Mounting Rail	MMRAIL
Wall Mounting Rail (60")	MMZR60
Arc Flash Label	ECAFL

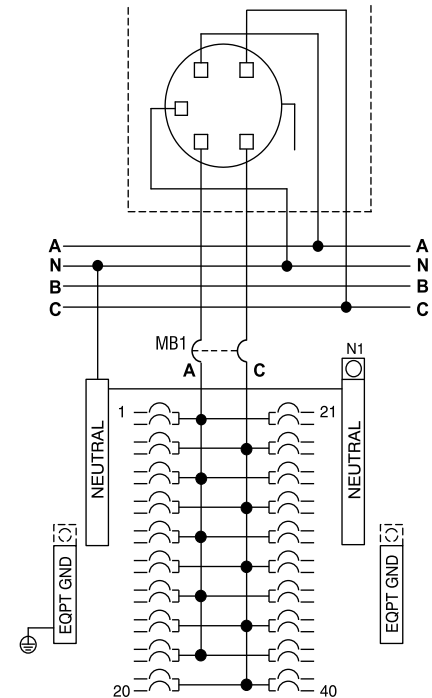
View Shown with Covers Removed



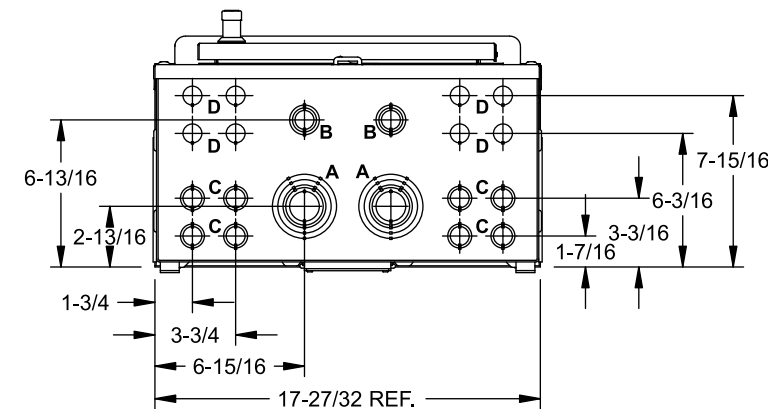
View Shown with Door Removed



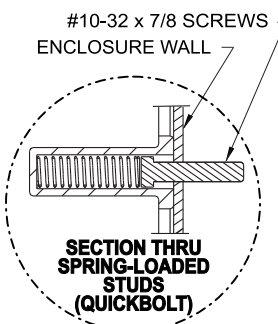
## Schematic



Terminal	Wire Size	Torque
N1	2/0 -#4 AWG	110 lb-in
Branch Breaker Terminals	See Markings on Breaker	
Ntl/Equip GND	#10 - #14 CU #10 - #12 AL #8 #6 - #4	20 lb-in 20 lb-in 25 lb-in 35 lb-in
Ground Conductors Only	(2) or (3) #14 AWG (2) #12-#10 AWG	20 lb-in 20 lb-in
Ground Bar/Neutral Lug Kits		
ECLK1-2	2/0 -#2 AWG	45 lb-in
ECLK2	2/0 -#4 AWG	135 lb-in



Knockout Chart		
Designation	KO Size	Qty
A	2-1/2, 2, 1-1/2, 1-1/4, 1"	4
B	1, 3/4, 1/2"	2
C	3/4, 1/2"	14
D	1/2"	8



WCL2040B2T1RJ Shown

© 2013 Copyright Siemens Industry, Inc.

**SIEMENS**  
 Siemens Industry, Inc.

**PowerMod™ Modular Metering**

Catalog Numbers: **3in-1out, Lever Bypass Socket 5 Jaw, with 20 Position 40 Circuit Panel**

Size B Dwg. No. **LBP\_3-1\_NB**