

Power Distribution Solutions

Supersede Siemens Legacy device communications capability for energy management systems

Siemens SEABus to Modbus Gateway Module



The advanced SEABus to Modbus gateway is designed to provide seamless communication integration of the Siemens legacy power meters, trip units, protective relays, and input/output devices to a Building Management System, SCADA or PLC that communicates Modbus protocol. The SEABus to Modbus gateway converts the Siemens legacy protocol, SEABus, to the industry standard Modbus RTU or Modbus TCP protocol.

**Supported Siemens Devices:**

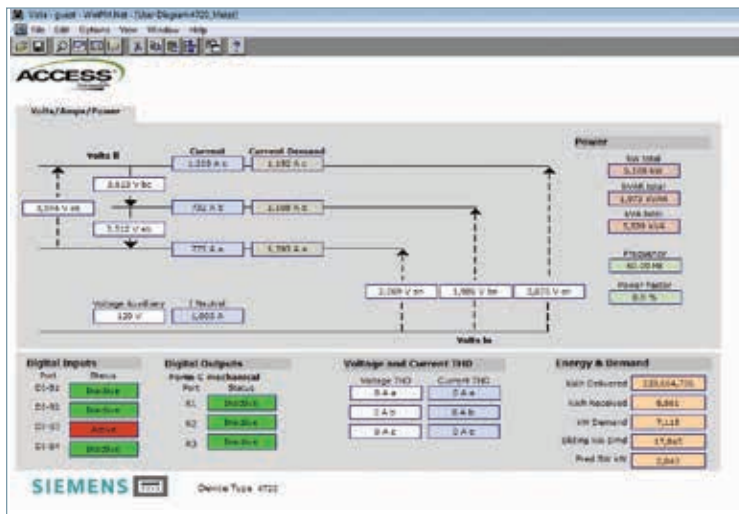
- 4000 Series Power Meters
- ISGS Intelligent Switchgear System Protective Relay
- SB Energy Communicating Trip Unit
- Static Trip III Trip Unit
- SAMMS-LV Motor Protection Devices
- S7-I/O Addressable Relay

**Power Supply Requirement**

Input Voltage: 9-30VDC or 12-24VAC

Recommended Power Supply Part No. 6EP1331-5BA00

SEABus to Modbus Converter Part No. US2:sProto Conv



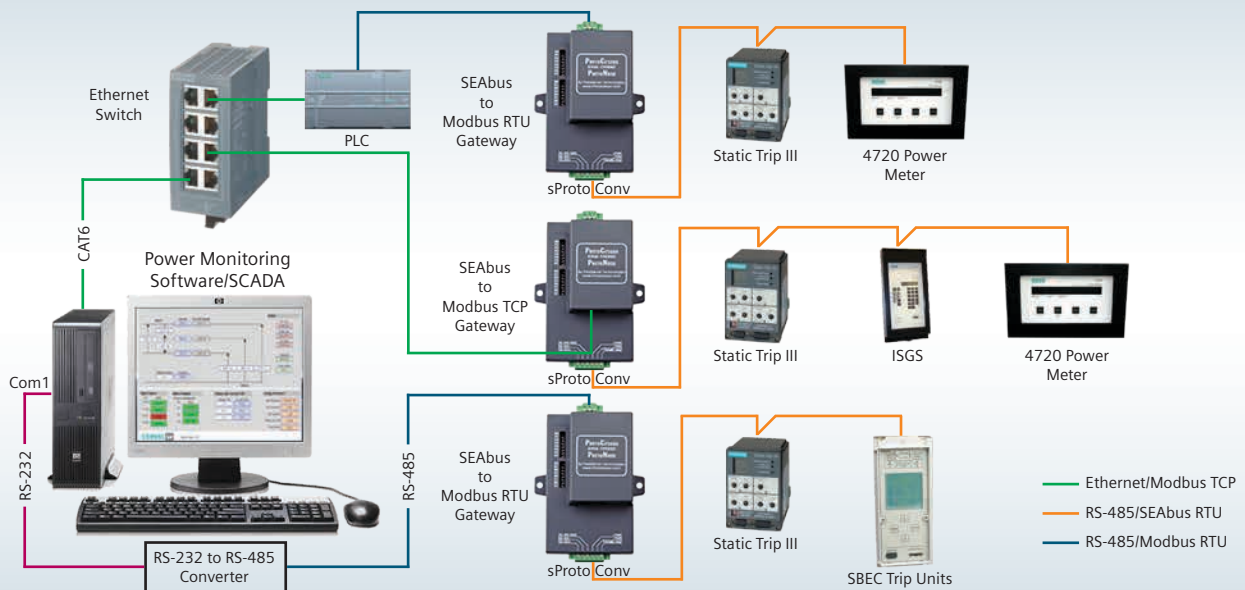
**Highlights / Innovations / Functions**

- Built-in web-based setup page that allows the user to add devices and troubleshoot communications.
- Most flexible and versatile multi-protocol device server on the market.
- Device is designed for an industrial environment and is suited for use in switchgear.
- Gateway interface allows SEABus devices to communicate Modbus RTU or Modbus TCP protocol.
- Includes two RS-485 and one Ethernet port
- Gateway for up to 16 SEABus devices.
- Compact design to easily retrofit into existing older equipment or replace older failed converters. Only 5.05W x 2.91D x 1.6H inch (12.82 x 7.39 x 4.06 cm) excluding mounting tabs.
- Replacement device for the legacy converters DTU-3005B and SPI-1000

# Siemens Legacy Devices



## Communication Network Topology



## Reliable and precise monitoring of electrical power systems

Siemens Power Distribution Solutions recognizes that high performance facilities make for high performance business. Energy is the lifeline of your business, and better efficiency and sustainability can have a large positive impact on your bottom line.

The Energy Management and Control Systems from Siemens provide a complete enterprise solution that can help you manage the energy costs and

availability of your business. With our advanced meters and controls, you can be sure to use only the energy you need, when you need it.

Siemens Power Distribution Solutions can also contribute toward achieving LEED® certification and provides the needed energy metering data for federal/local government energy reductions programs.

Published by  
Siemens 2017

Siemens Industry, Inc.  
5400 Triangle Parkway  
Norcross, GA 30092

1-800-241-4453  
info.us@siemens.com

Order No. PMSS-SEABU-1217  
Printed in USA  
All Rights Reserved  
© 2017, Siemens Industry, Inc.  
[usa.siemens.com/pds](http://usa.siemens.com/pds)

The technical data presented in this document is based on an actual case or on as-designed parameters, and therefore should not be relied upon for any specific application and does not constitute a performance guarantee for any projects. Actual results are dependent on variable conditions. Accordingly, Siemens does not make representations, warranties, or assurances as to the accuracy, currency or completeness of the content contained herein. If requested, we will provide specific technical data or specifications with respect to any customer's particular applications. Our company is constantly involved in engineering and development. For that reason, we reserve the right to modify, at any time, the technology and product specifications contained herein.