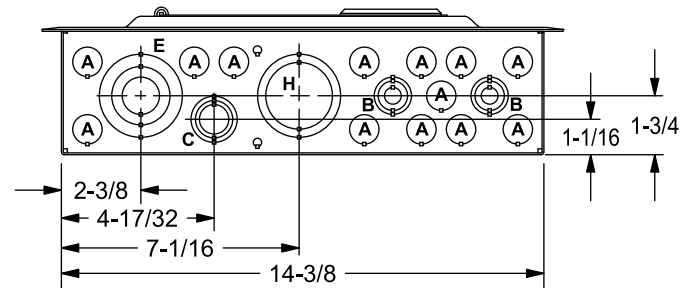
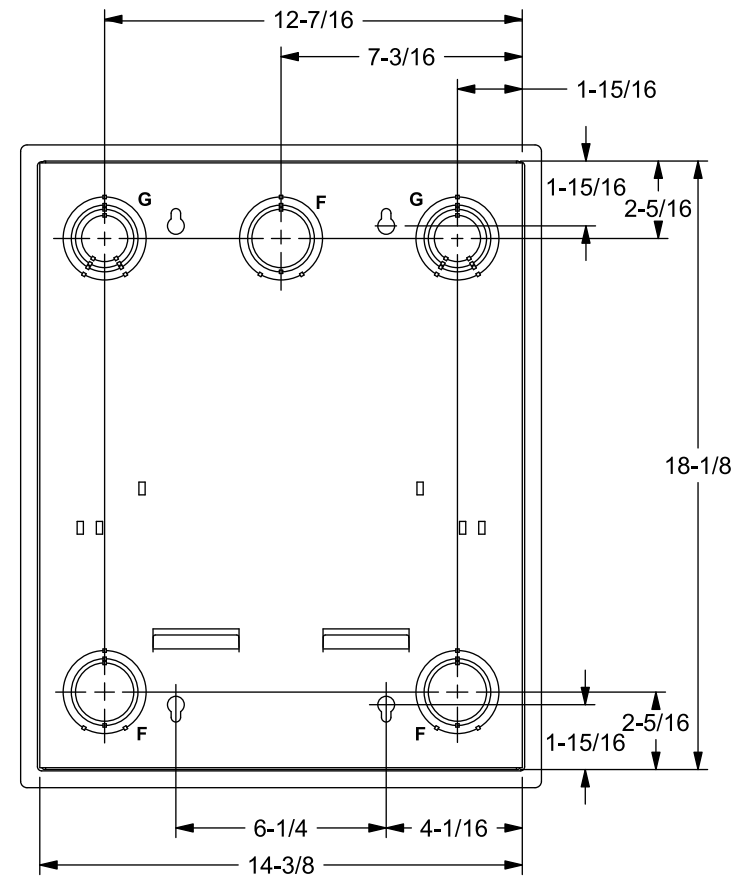
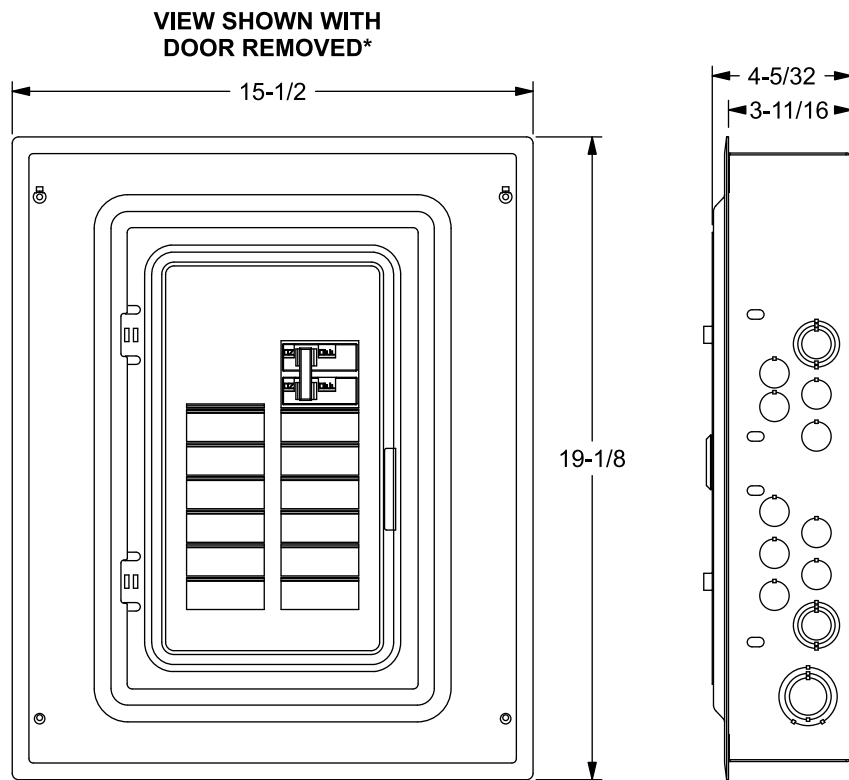
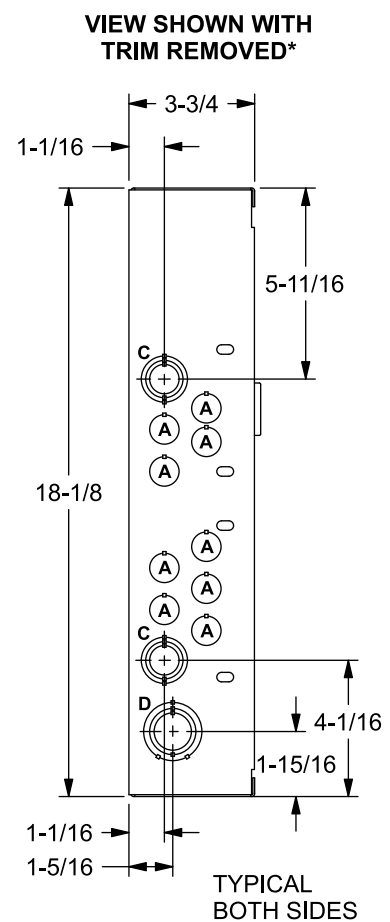
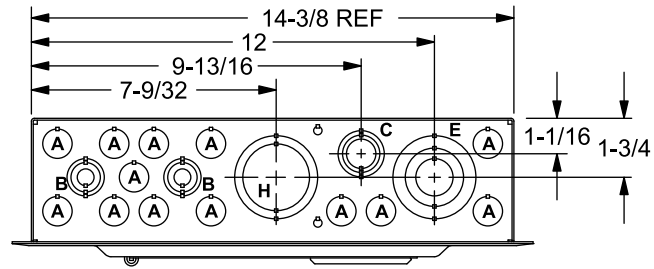


## Features and Ratings

- 1 PHASE, 3 WIRE, 120/240V ~
- 22K AIC MAIN BREAKER FACTORY INSTALLED  
(SEE WIRING DIAGRAM FOR DETAILS)
- GROUND BARS INSTALLED
- TYPE N1 INDOOR ENCLOSURE
- ANSI 61 GRAY POWDER COATED ENCLOSURE
- ENCLOSURE AND TRIM SOLD SEPARATELY

Catalog Number	Amps Max	Number Spaces	Number Circuits	Bus Bar Material
BMW1224MB1100F	100	12	24	Aluminum

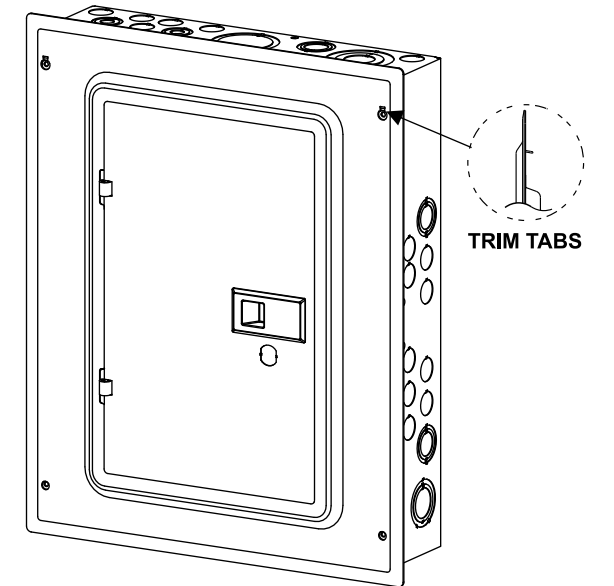


Knockouts (inches)	
A	1/2"
B	3/8", 1/2", 3/4"
C	1/2", 3/4", 1"
D	3/4", 1", 1-1/4"
E	3/4", 1-1/4", 1-1/2"
F	1-1/4", 1-1/2", 2"
G	1", 1-1/4", 1-1/2", 2"
H	1-1/2", 2"

## Trim/Door Detail

\*Trim/Door Assemblies Sold Separately

Catalog Number	Trim Color
TMW1224MB1100F	White
TM1224MB1100F	Gray



## Terminal Wire Sizes and Torques

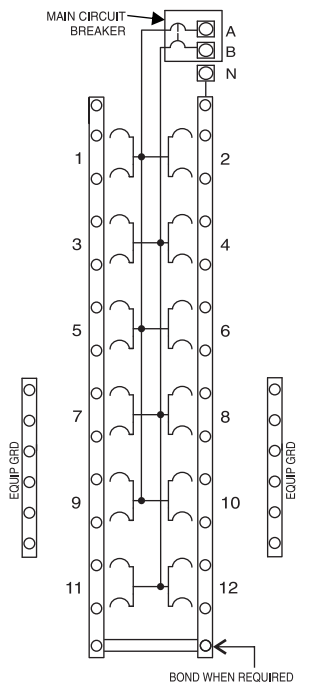
USE COPPER OR ALUMINUM 60°/75°C WIRE

Terminals	Wire Size AWG	Torque
A and B	See Marking on Breaker	
N	2/0-#4	45 lb.-ins.
Neutral Ground Bar	#10-14 CU/#10-12 AL	20 lb.-ins.
	#8	25 lb.-ins.
	#6	35 lb.-ins.
Grd. Conductors Only	(2) or (3) #10-14 CU or #10-12 AL	20 lb.-ins.
ECLK1-2	2/0-#2	45 lb.-ins.
ECLK2	2/0-#4	135 lb.-ins.
ECLK3	300 kcmil - 1 AWG	340 lb.-ins.
Branch Breakers	See Marking on Breaker	

## Accessories

Description	Cat. No.
Door Lock	ECQFL2
Trim Screw	ECTS2
Padlock Device for QP Breakers	ECQLD3
Padlock Device for QT Breakers	ECQLD4
Filler Plate	ECQF3

## Schematic



© 2012 Copyright Siemens Industry, Inc.

**SIEMENS**  
Siemens Industry, Inc.

## Mobile Home Load Centers

Description: **1 Phase, Indoor, 12 Position, 100A Main Breaker Cut Sheet**

KAM 12/5/12 DO NOT SCALE DRAWING Dwg No: **BMW1224MB1100F**