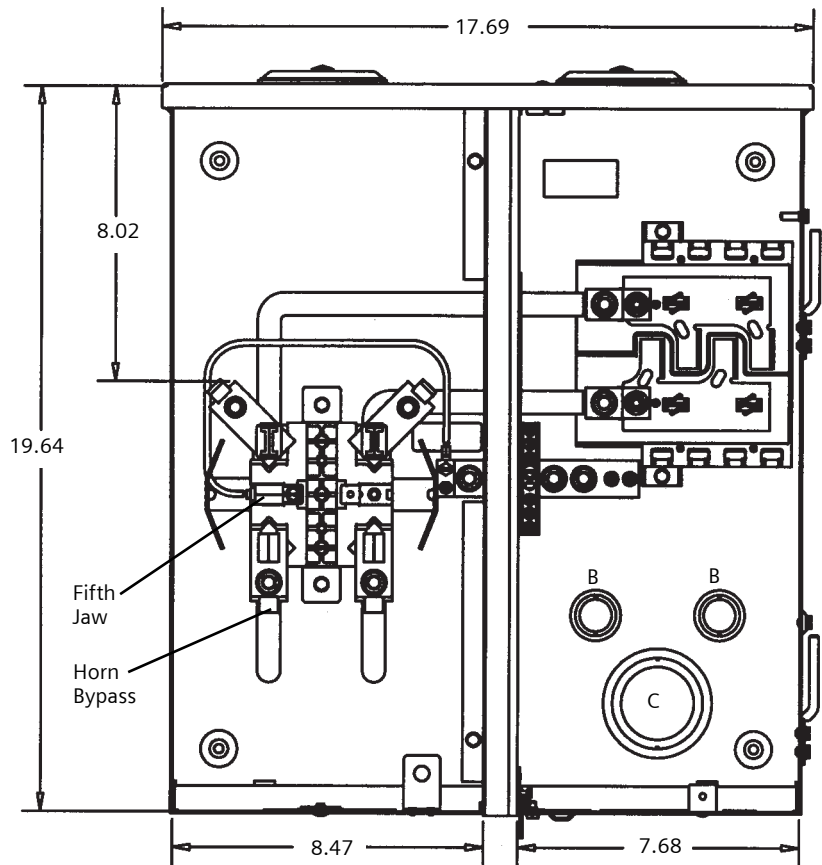


Meter/Main Breaker Combinations

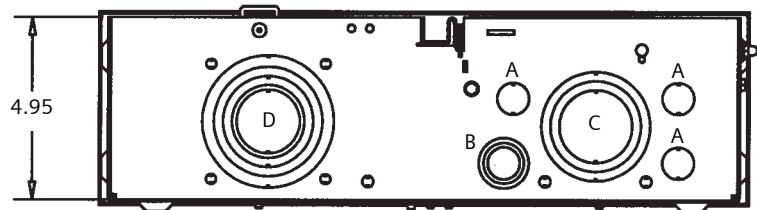
FEATURES

- UL Listed only for use as service entrance equipment
- Overhead and underground feed
- Side hinged door, only one screw required to remove door
- Captive deadfront screw
- 22K AIC rating
- Meter socket jaw guides provided on ringless devices
- Ring and ringless versions available
- 5th jaw option available
- Horn bypass option available
- Surface mount
- NEMA Type 3R enclosure with painted, G90 galvanized steel Alstan[®] tin-plated aluminum bus bars



Knockout Code

- | | |
|---|----------------------------------|
| A | = 1/2" |
| B | = 1/2", 3/4", 1" |
| C | = 1-1/2", 2", 2-1/2" |
| D | = 1-1/4", 1-1/2", 2", 2-1/2", 3" |



Meter Socket Ampere Rating	Catalog Number	Max. 1" Spaces	Max. Circuits	Phase	Main Ampere Rating	Number of Jaws	Type of Bypass	Type of Cover
200	MM0406L1200RHJB	4	6	Single	200	5	Horn	Ringless
200	MM0406L1200RH	4	6	Single	200	4	None	Ringless
200	MM0406L1200H	4	6	Single	200	4	None	Ring

Family Type D

fastfax

SIEMENS

SIEMENS

Rainproof Combination Metering

Catalog number
MM0406L1200RHJB

Panelboard Rating
200 Amps, Max
120/240 Volts A. C., 1 phase, 3 wire
208Y/120 Volts A. C., 1 phase, 3 wire
(Derived from 3 phase – 4 wire system)

Meter Socket Rating
200 Amps Continuous

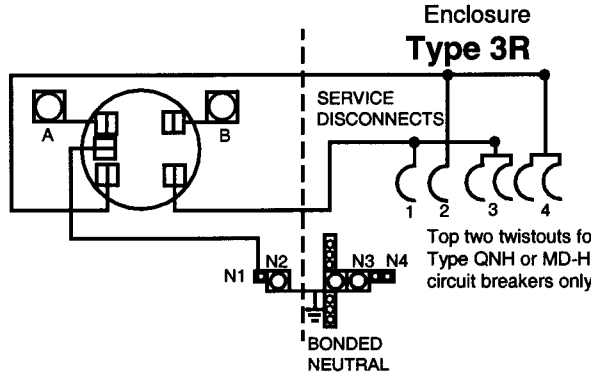
Suitable Only For Use As Service Equipment

Only single pole circuit breakers rated greater than 30 amps may be used to comply with Lighting and Appliance Panelboard requirements.

For Overhead or Underground Service

Use 60/75° C Copper or Aluminum Conductor in Terminals A, B, N1, N2, N3, and N4.

Terminal	Wire Size	Torque
A, B	350 kcmil - #6	275 lb in
N1	#2-#3	50 lb in
	#4-#6	45 lb in
	#8	40 lb in
N2	#10-#14	35 lb in
	250 kcmil - #6	275 lb in
N3	250 kcmil - #4	275 lb in
N4	1/0-#14	120 lb in
Branch breaker terminals	See Markings on breaker	
Neutral bar	#10-14 Cu/	20 lb in
	#10-12 Al	
	#8	25 lb in
	#6-4	35 lb in



- 1 _____
- 2 _____
- 3 _____
- 4 _____

Accessories
Filler Plate Cat. No. QF3

If hub is required, the catalog numbers listed below may be used on this enclosure

Trade size (in)	Catalog number
1 ¼"	WRX125
1 ½"	WRX150
2"	WRX200
2 ½"	WRX250

General Information:

Remove twistouts from deadfront only where breakers will be installed. All openings must be filled with breakers or filler plates.

Circuit Breaker overload trip position is indicated by handle position midway between ON and OFF. To reset, move handle to OFF position then turn ON.

For installation in accordance with all local Electrical codes and/or the National Electrical Code®.

E10703

Short Circuit Current Rating (Watt-hour Meter not included in short circuit rating)

The panelboard has a maximum short circuit rating of 22,000 RMS symmetrical amperes, 120/240 volts AC. The actual rating is equal to the lowest rating of any breaker installed. Any circuit breaker replaced or added in this panelboard must be manufactured by Siemens or Murray and must be the types listed below.

Siemens Energy & Automation, Inc.
Alpharetta, Georgia U.S.A.

Part No. 4099557 Rev A

Important

This equipment has been designed for use only with or Siemens Type QP, QT, QPF, QPHF, QE, QEH, QAF, QAFH, QN, QNH, or Murray Type, MP-T, MP-GT, MP-HGT, MP-HT, MH-T, MP-AT, MP-HAT, MP-ET, MP-HET, MD-HT, or MD-T Circuit Breakers. Use of other circuit breakers in this equipment will void the warranty.

Do not spray or allow any petroleum based chemicals, solvents, or paint to contact interior components.

© The National Electrical Code is a recognized trademark of National Fire Protection Association.

SIEMENS

Rainproof Combination Metering

Catalog number
MM0406L1200RH

Panelboard Rating
200 Amps, Max
120/240 Volts A. C., 1 phase, 3 wire
208Y/120 Volts A. C., 1 phase, 3 wire
(Derived from 3 phase – 4 wire system)

Meter Socket Rating
200 Amps Continuous

Suitable Only For Use As Service Equipment

Only single pole circuit breakers rated greater than 30 amps may be used to comply with Lighting and Appliance Panelboard requirements.

For Overhead or Underground Service

Use 60/75° C Copper or
Aluminum Conductor in Terminals
A, B, N1, N2, N3, and N4.

Terminal	Wire Size	Torque
A, B	350 kcmil - #6	275 lb in
N1	#2-#3	50 lb in
	#4-#6	45 lb in
	#8	40 lb in
	#10-#14	35 lb in
N2	250 kcmil - #6	275 lb in
N3	250 kcmil - #4	275 lb in
N4	1/0-#14	120 lb in
Branch breaker terminals	See Markings on breaker	
Neutral bar	#10-14 Cu/ #10-12 Al	20 lb in
	#8	25 lb in
	#6	35 lb in
	#4	35 lb in

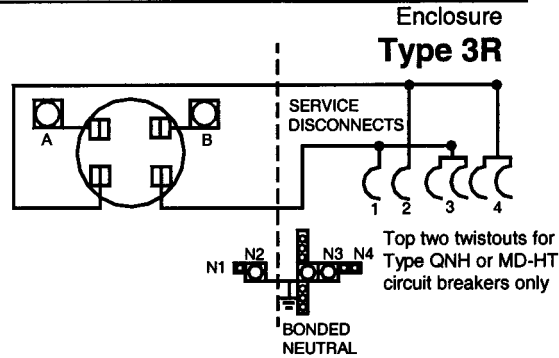
Short Circuit Current Rating (Wattour Meter not included in short circuit rating)
The panelboard has a maximum short circuit rating of 22,000 RMS symmetrical amperes, 120/240 volts AC. The actual rating is equal to the lowest rating of any breaker installed. Any circuit breaker replaced or added in this panelboard must be manufactured by Siemens or Murray and must be the types listed below.

Siemens Energy & Automation, Inc.
Alpharetta, Georgia U.S.A.

Part No. 4099556 Rev B

Important

This equipment has been designed for use only with or Siemens Type QP, QT, QPF, QPHF, QE, QEH, QAF, QAFH, QN, QNH, or Murray Type, MP-T, MP-GT, MP-HGT, MP-HT, MH-T, MP-AT, MP-HAT, MP-ET, MP-HET, MD-HT, or MD-T Circuit Breakers. Use of other circuit breakers in this equipment will void the warranty. Do not spray or allow any petroleum based chemicals, solvents, or paint to contact interior components.
© The National Electrical Code is a recognized trademark of National Fire Protection Association.



- 1 _____
- 2 _____
- 3 _____
- 4 _____

Accessories
Filler Plate Cat. No. QF3

Trade size (in)	Catalog number
1 ¼"	WRX125
1 ½"	WRX150
2"	WRX200
2 ½"	WRX250

General Information:
Remove twistouts from deadfront only where breakers will be installed. All openings must be filled with breakers or filler plates.
Circuit Breaker overload trip position is indicated by handle position midway between ON and OFF. To reset, move handle to OFF position then turn ON.
For installation in accordance with all local Electrical codes and/or the National Electrical Code®.

Ⓜ E10703

SIEMENS

Rainproof Combination Metering

Catalog number
MM0406L1200H

Panelboard Rating
200 Amps, Max
120/240 Volts A. C., 1 phase, 3 wire
208Y/120 Volts A. C., 1 phase, 3 wire
(Derived from 3 phase - 4 wire system)

Meter Socket Rating
200 Amps Continuous

Suitable Only For Use As Service Equipment

Only single pole circuit breakers rated greater than 30 amps may be used to comply with Lighting and Appliance Panelboard requirements.

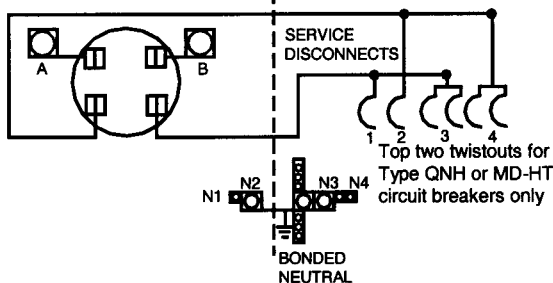
For Overhead or Underground Service

Use 60/75° C Copper or Aluminum Conductor in Terminals A, B, N1, N2, N3, and N4.

Terminal	Wire Size	Torque
A, B	350 kcmil - #6	275 lb in
N1	#2-#3	50 lb in
	#4-#6	45 lb in
	#8	40 lb in
	#10-#14	35 lb in
N2	250 kcmil - #6	275 lb in
N3	250 kcmil - #4	275 lb in
N4	1/0-#14	120 lb in
Branch breaker terminals	See Markings on breaker	
Neutral bar	#10-14 Cu/	20 lb in
	#10-12 Al	
	#8	25 lb in
	#6	35 lb in
	#4	35 lb in

Short Circuit Current Rating (Wathour Meter not included in short circuit rating)
The panelboard has a maximum short circuit rating of 22,000 RMS symmetrical amperes, 120/240 volts AC. The actual rating is equal to the lowest rating of any breaker installed. Any circuit breaker replaced or added in this panelboard must be manufactured by Siemens or Murray and must be the types listed below.

Enclosure
Type 3R



- 1 _____
- 2 _____
- 3 _____
- 4 _____

Accessories
Filler Plate Cat. No. QF3

If hub is required, the catalog numbers listed below may be used on this enclosure

Trade size (In)	Catalog number
1 ¼"	WRX125
1 ½"	WRX150
2"	WRX200
2 ½"	WRX250

General Information:

Remove twistouts from deadfront only where breakers will be installed. All openings must be filled with breakers or filler plates.

Circuit Breaker overload trip position is indicated by handle position midway between ON and OFF. To reset, move handle to OFF position then turn ON.

For installation in accordance with all local Electrical codes and/or the National Electrical Code®. (M) E10703

Siemens Energy & Automation, Inc.
Alpharetta, Georgia U.S.A.

Part No. 4099555 Rev B

Important

This equipment has been designed for use only with or Siemens Type QP, QT, QPF, QPHF, QE, QEH, QAF, QA, QN, QNH, or Murray Type, MP-T, MP-GT, MP-HGT, MP-HT, MH-T, MP-AT, MP-HAT, MP-ET, MP-HET, MD-HT, or MD-T Circuit Breakers. Use of other circuit breakers in this equipment will void the warranty.

Do not spray or allow any petroleum based chemicals, solvents, or paint to contact interior components.

© The National Electrical Code is a recognized trademark of National Fire Protection Association.