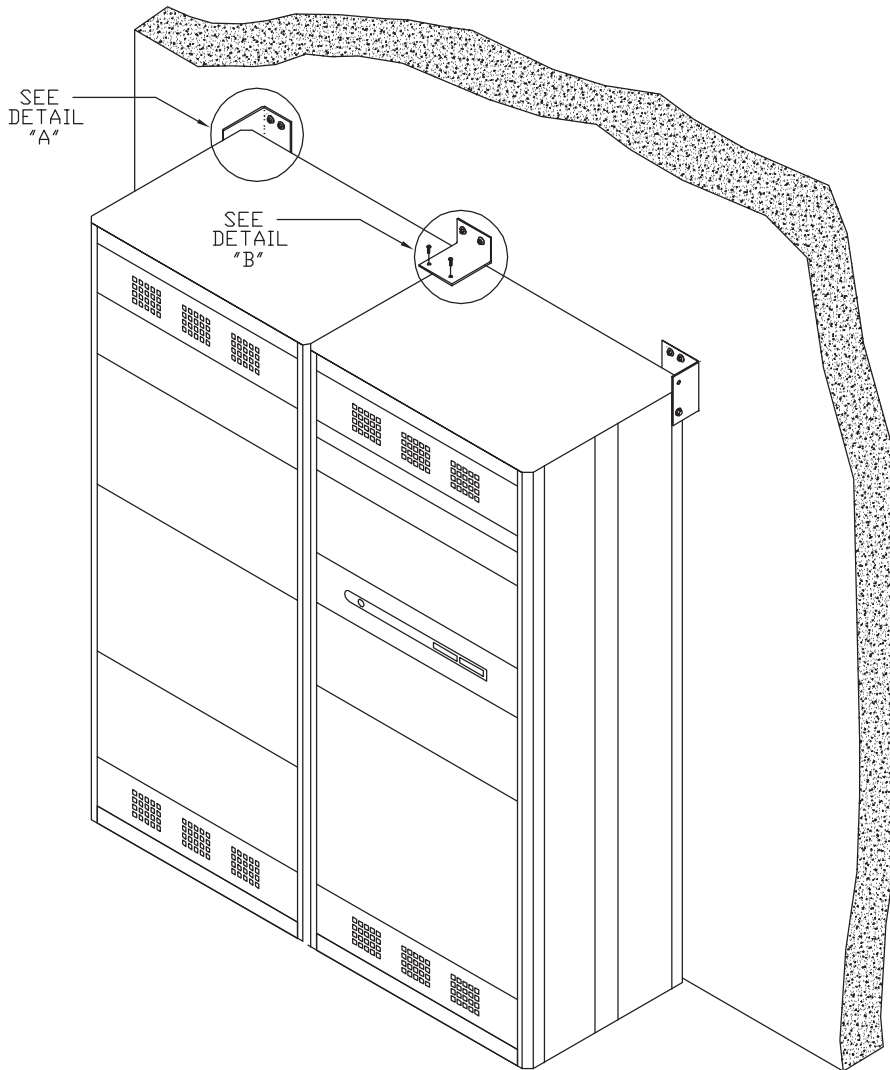
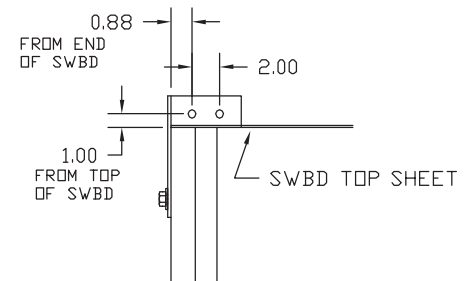


# SIEMENS

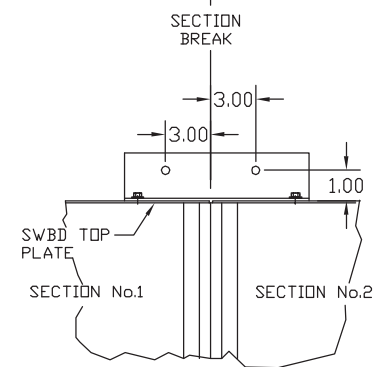
## SEISMIC ASSEMBLY INSTRUCTIONS FOR PULL OR SMM THRU-MAIN SECTIONS ONLY



DETAIL "A"  
TYP. END SUPPORT



DETAIL "B"  
TYP. CENTER SUPPORT



1. LOCATE SWBD REAR APPROX. 1" FROM WALL.
2. ATTACH CENTER SEISMIC WALL SUPPORT TO THE TOP PLATE USING 1/4" HARDWARE. (SUPPLIED BY SIEMENS)
3. ATTACH END SEISMIC WALL SUPPORTS TO THE CORNER POST USING 5/16" HARDWARE. (SUPPLIED BY SIEMENS WITH LIFTING DEVICES)
4. USE 3/8" GRADE 5 HARDWARE TO BOLT SEISMIC WALL SUPPORT TO THE WALL.
5. THE PULL SECTION AND THE SMM THRU MAIN ARE TO BE SECURED TO THE WALL PER THIS INSTRUCTION. ADDITIONAL SECTIONS ARE TO BE SECURED TO THE FLOOR ONLY PER THEIR INSTRUCTIONS.