




SIEMENS

Ingenuity for life



Medium-voltage gas-insulated switchgear

8DA (single bus) and 8DB (double bus), up to 42 kV, 40 kA, 200 kV BIL

Features and benefits:

- Vacuum interrupter - up to 30,000 mechanical operations
- Low pressure SF₆ gas-insulated for insulation only and not for interruption
- Tested for arc-resistance to ANSI/IEEE C37.20.7-2007, type 2B (i.e., with low-voltage compartment door open)
- Significantly reduced personal protective equipment (PPE) needs
- Voltage transformers with primary fused protection per NEC article 240.15(A) and 450.3(C)
- Main busbar expansion without shutdown via optional busbar expansion switch
- Compact - up to 75 percent smaller than air-insulated switchgear
- Maintenance-free primary part
- Meets IEEE and IEC standards
- UL or C-UL Listing available (consult factory)
- Single-phase design eliminates phase-to-phase faults inside the switchgear
- Meets NEC visible disconnect requirement
- Well suited for contaminated environments
- Pair with Siemens protective relays to match any typical application
- Over 100,000 panels worldwide with more than 4,500 installed in North America

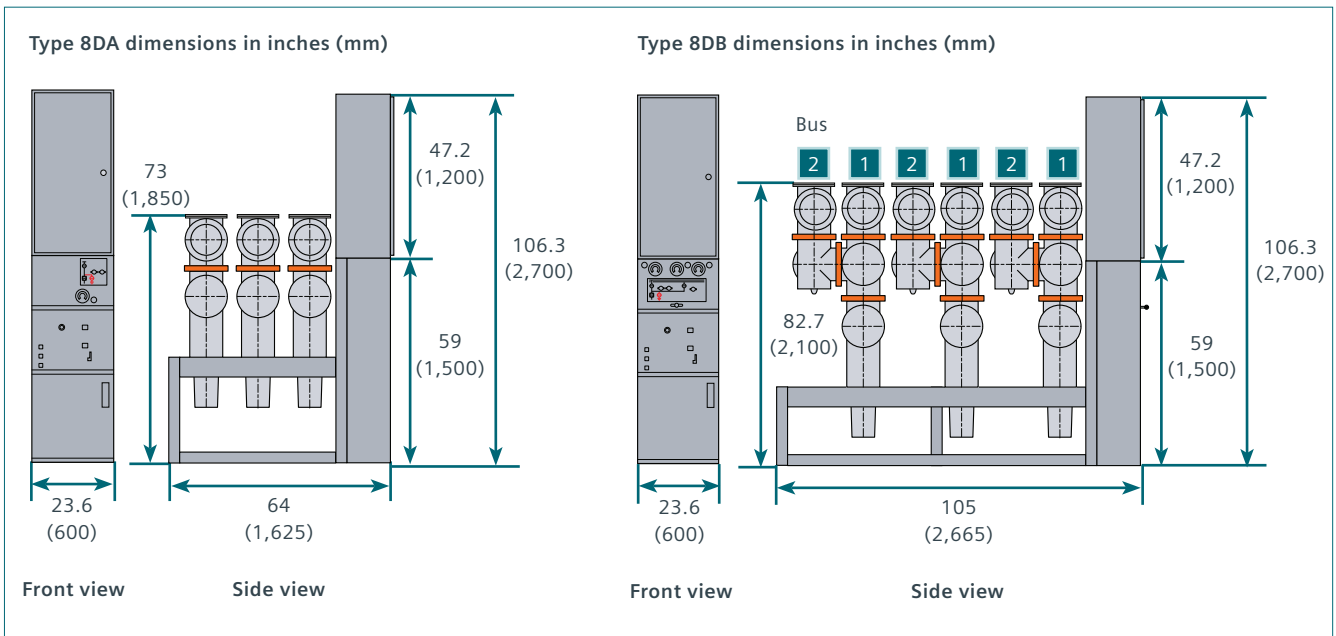


Technical ratings					
Characteristics	Unit	Voltage class			
Rated maximum voltage	kV	15.5	27.0	38.0	42.0 ¹
Rated continuous current of main bus (maximum)	A	5,000	5,000	5,000	5,000
Rated continuous current of circuit breakers (maximum)	A	2,500	2,500	2,500	2,500
Rated lighting impulse-withstand voltage	kV peak	95	125	150, 200 ¹	185; 200 ¹
Power frequency-withstand voltage (one minute)	kV	36	60	80	80
Frequency	Hz	60	60	60	60
Short-circuit interrupting current (maximum)	kA	Up to 40	Up to 40	Up to 40	Up to 40
Short-time withstand current, 3 s (maximum)	kA	Up to 40	Up to 40	Up to 40	Up to 40
Short-circuit making current (close and latch) (maximum)	kA peak	Up to 104	Up to 104	Up to 104	Up to 104
Peak withstand current (maximum) ²	kA peak	Up to 104	Up to 104	Up to 104	Up to 104

Footnotes:

¹ On request. Consult factory.

² Tested to ANSI/IEEE C37.20.7-2007 for arc-resistance type 2B at 40 kA for 0.5 seconds.



Published by Siemens Industry, Inc. 2017.

Siemens Industry
7000 Siemens Road
Wendell, North Carolina 27591

For more information, please contact our Customer Support Center.
Phone: +1 (800) 333-7421

www.usa.siemens.com/mvswitchgear

Article No. EMMS-T40043-02-4AUS

Printed in U.S.A.

© 2017 Siemens Industry, Inc.

Subject to changes and errors. The information given in this document only contains general descriptions and/or performance features which may not always specifically reflect those described, or which may undergo modification in the course of further development of the products. The requested performance features are binding only when they are expressly agreed upon in the concluded contract.