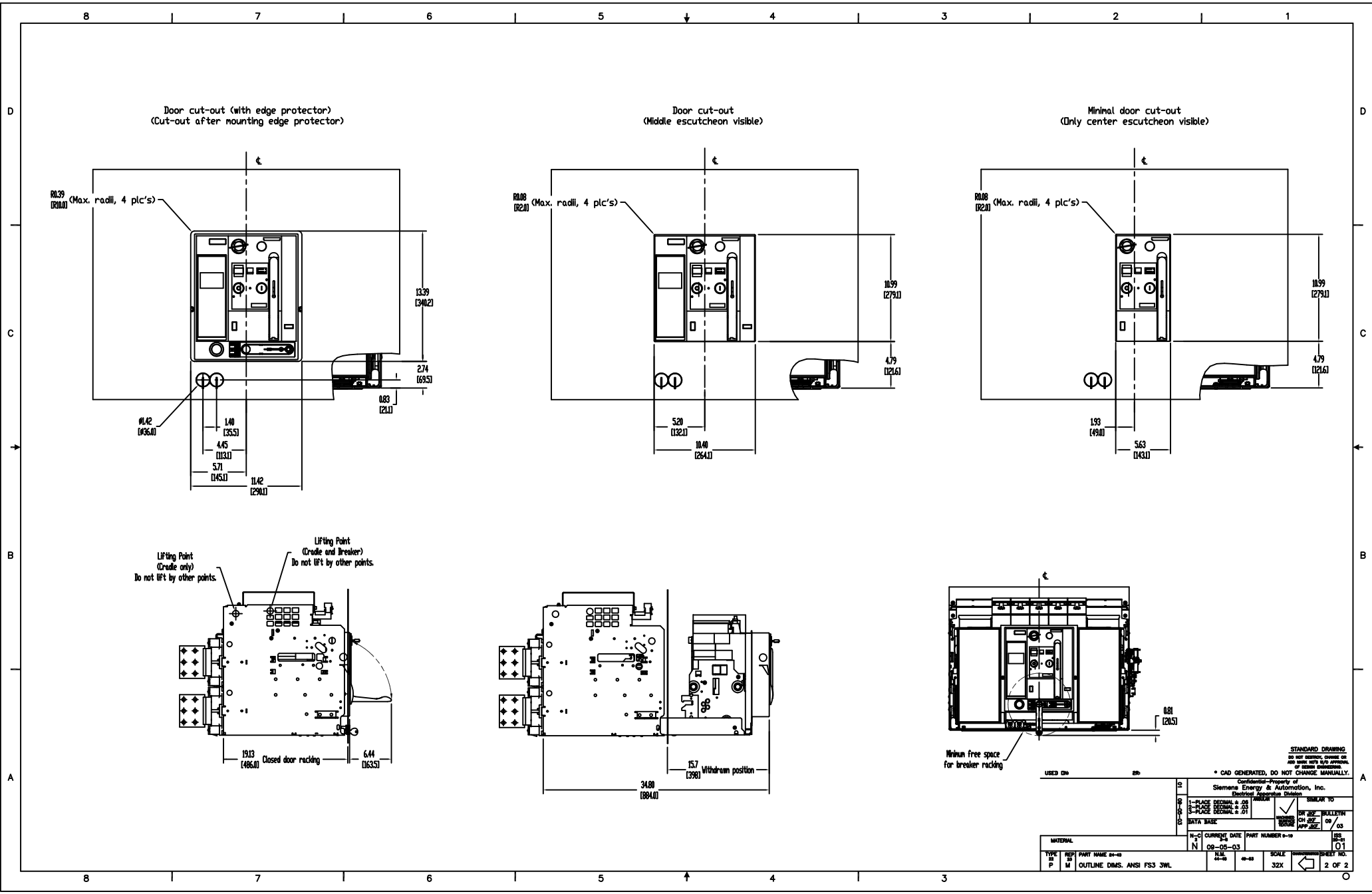


USED ON:		BY:		DATE:		SCALE:		SHEET NO.:	
<p>STANDARD DRAWING DO NOT REVISION, REWORK OR ADD UNLESS WITH APPROVAL OF DESIGN ENGINEER.</p> <p>* CAD GENERATED, DO NOT CHANGE MANUALLY.</p> <p>Confidential-Property of Siemens Energy & Automation, Inc. Electrical Apparatus Division</p> <p>DATE: 09/03 APP. NO. 01</p> <p>SCALE: 32X</p> <p>SHEET NO. 1 OF 2</p>									



STANDARD DRAWING
DO NOT REVISION, CHANGE OR
ADD UNLESS WITH APPROVAL
OF DESIGN ENGINEER.

* CAD GENERATED, DO NOT CHANGE MANUALLY.

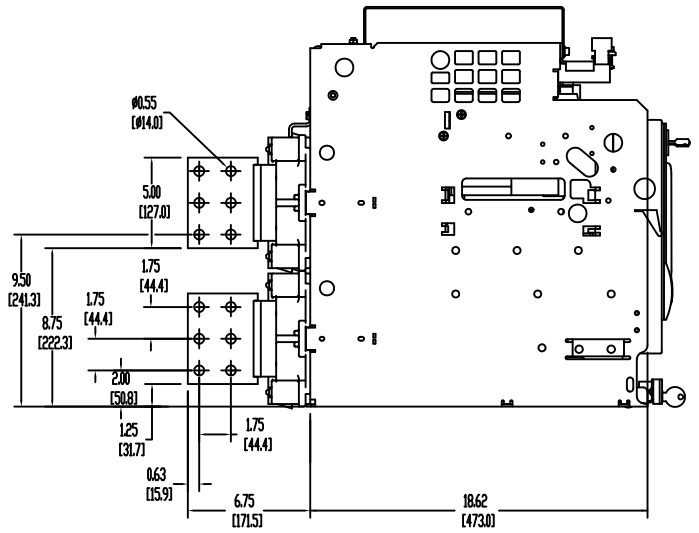
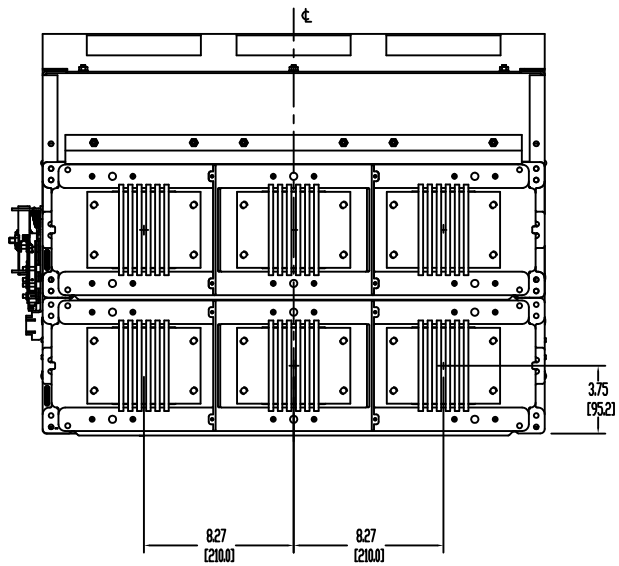
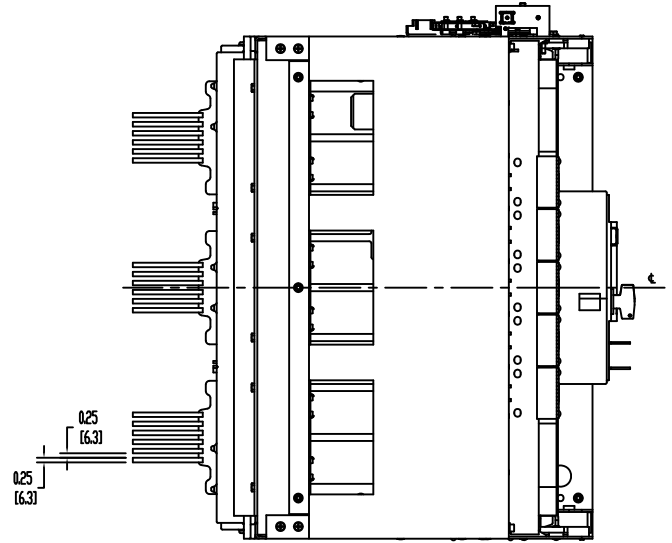
Confidential-Property of
Siemens Energy & Automation, Inc.
Electrical Apparatus Division

Q	1-PLACE DECIMAL ± .00	IN USE	SHEET NO
R	2-PLACE DECIMAL ± .01	IN USE	BULLETIN
S	3-PLACE DECIMAL ± .01	IN USE	CHG USE
D	DATA BASE	IN USE	APP USE

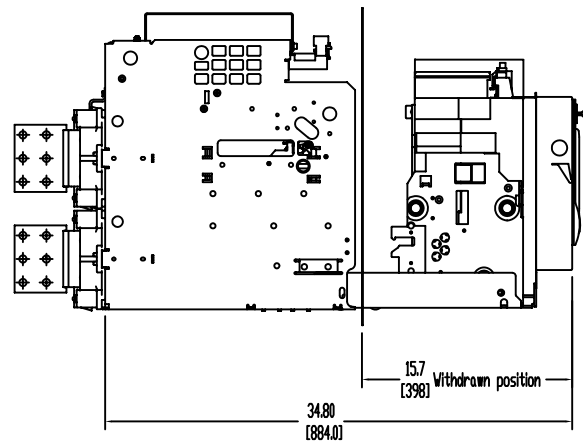
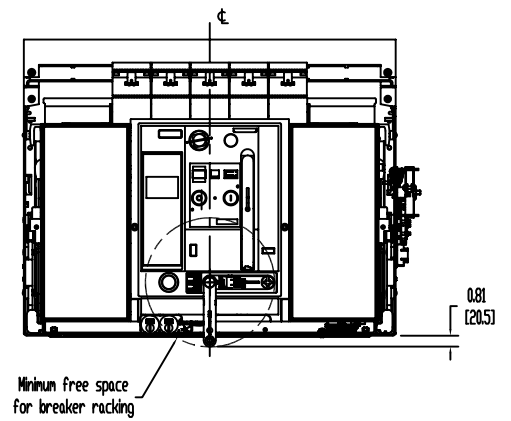
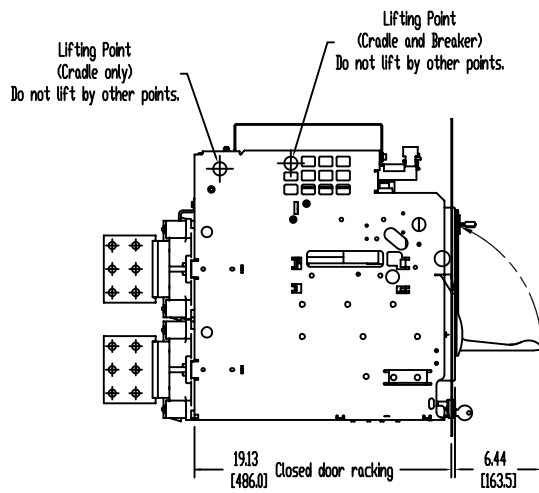
MATERIAL	DATE	PART NUMBER	REV.
N	09-05-03	0-19	01

TYPE	REV	PART NAME	DATE	SCALE	SHEET NO
P	M	OUTLINE DIMS. ANSI F33 3WL	01-05	32X	2 OF 2

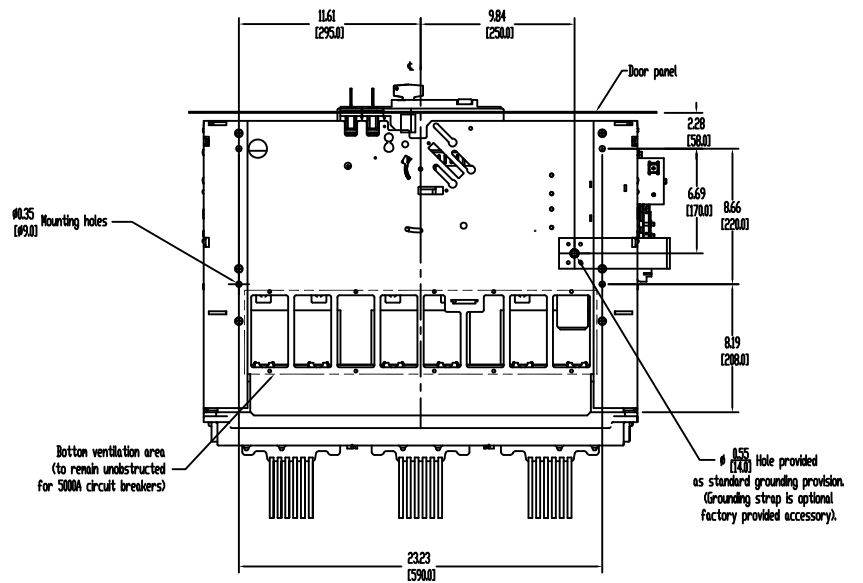
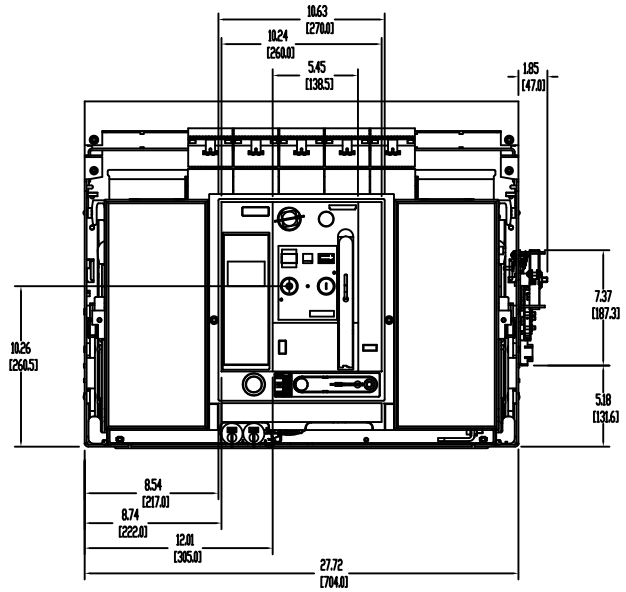
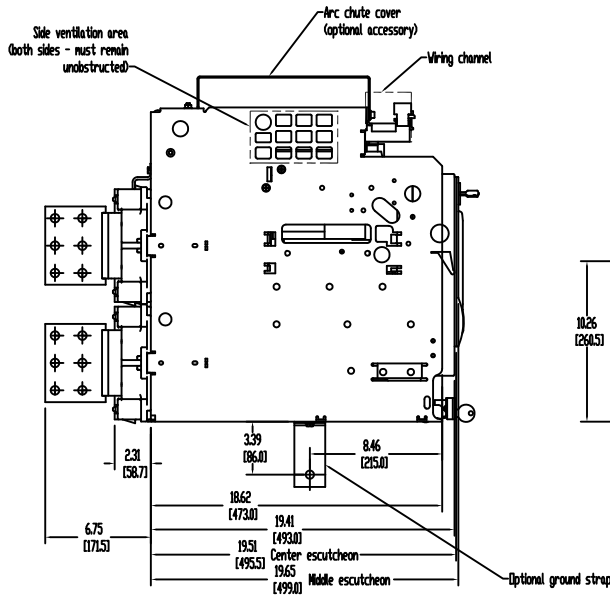
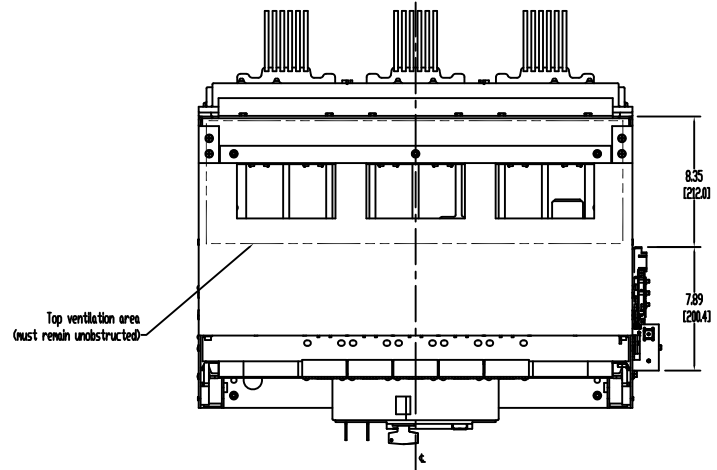
UL 1066 FSIII DRAWOUT CIRCUIT BREAKER GUIDE FRAME STANDARD BUS CONNECTIONS



UL 1066 FSIII DRAWOUT CIRCUIT BREAKER GUIDE FRAME

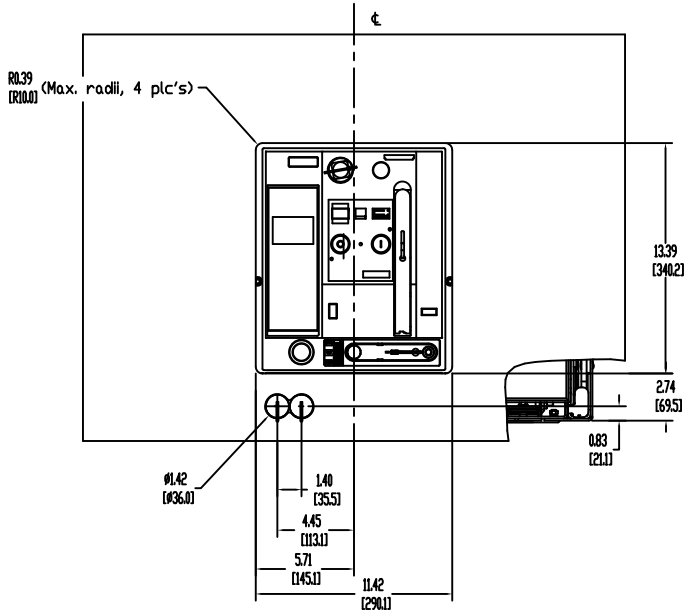


UL 1066 FSIII DRAWOUT CIRCUIT BREAKER GUIDE FRAME

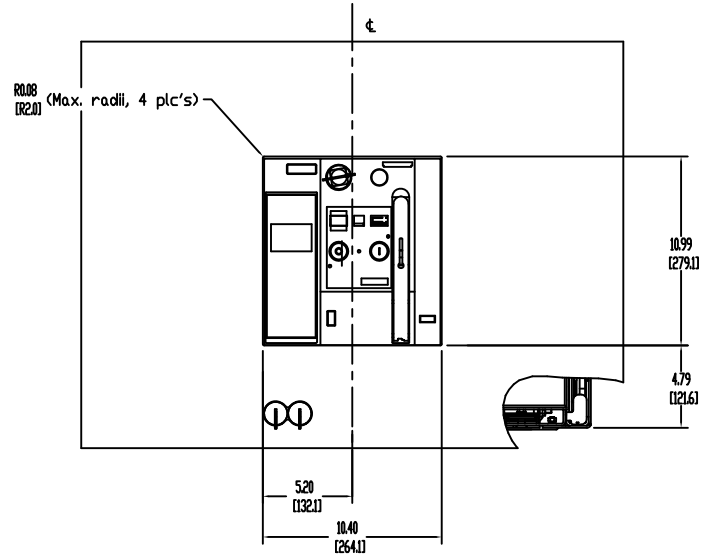


UL 1066 FSIII DRAWOUT CIRCUIT BREAKER GUIDE FRAME

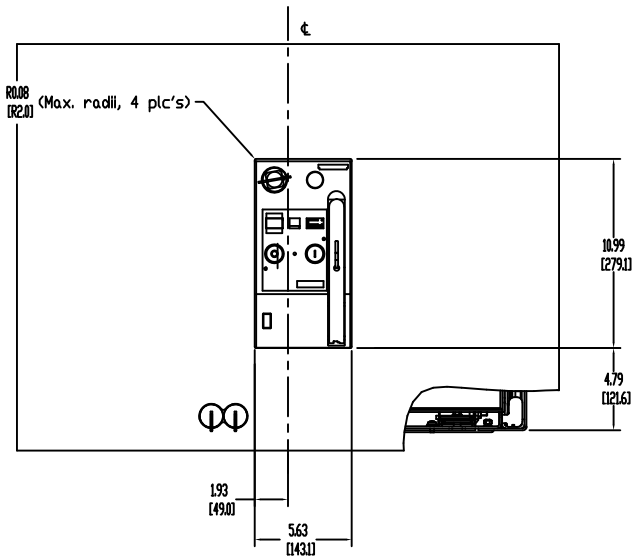
Door cut-out (with edge protector)
(Cut-out after mounting edge protector)



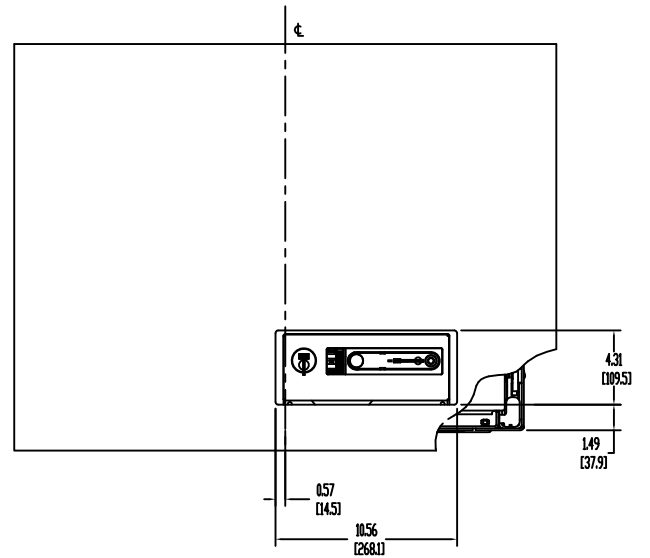
Door cut-out
(Middle escutcheon visible)

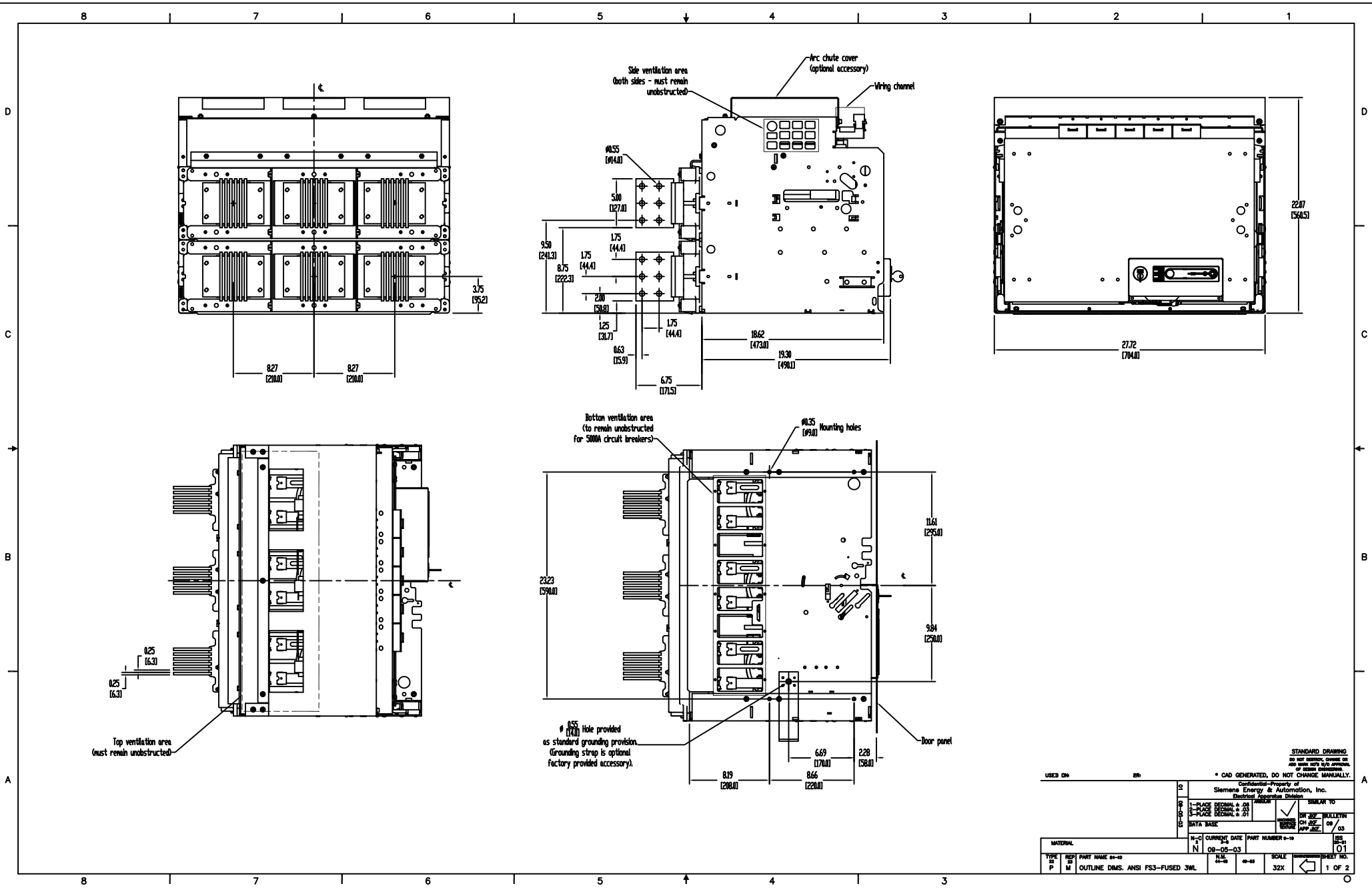


Minimal door cut-out
(Only center escutcheon visible)



Door cut-out (with edge protector)
Fuse Carriage





STANDARD DRAWING
 DO NOT REVISION, CHANGE OR
 ADD UNLESS WITH APPROVAL
 OF THESE ENGINEERS.

* CAD GENERATED, DO NOT CHANGE MANUALLY.

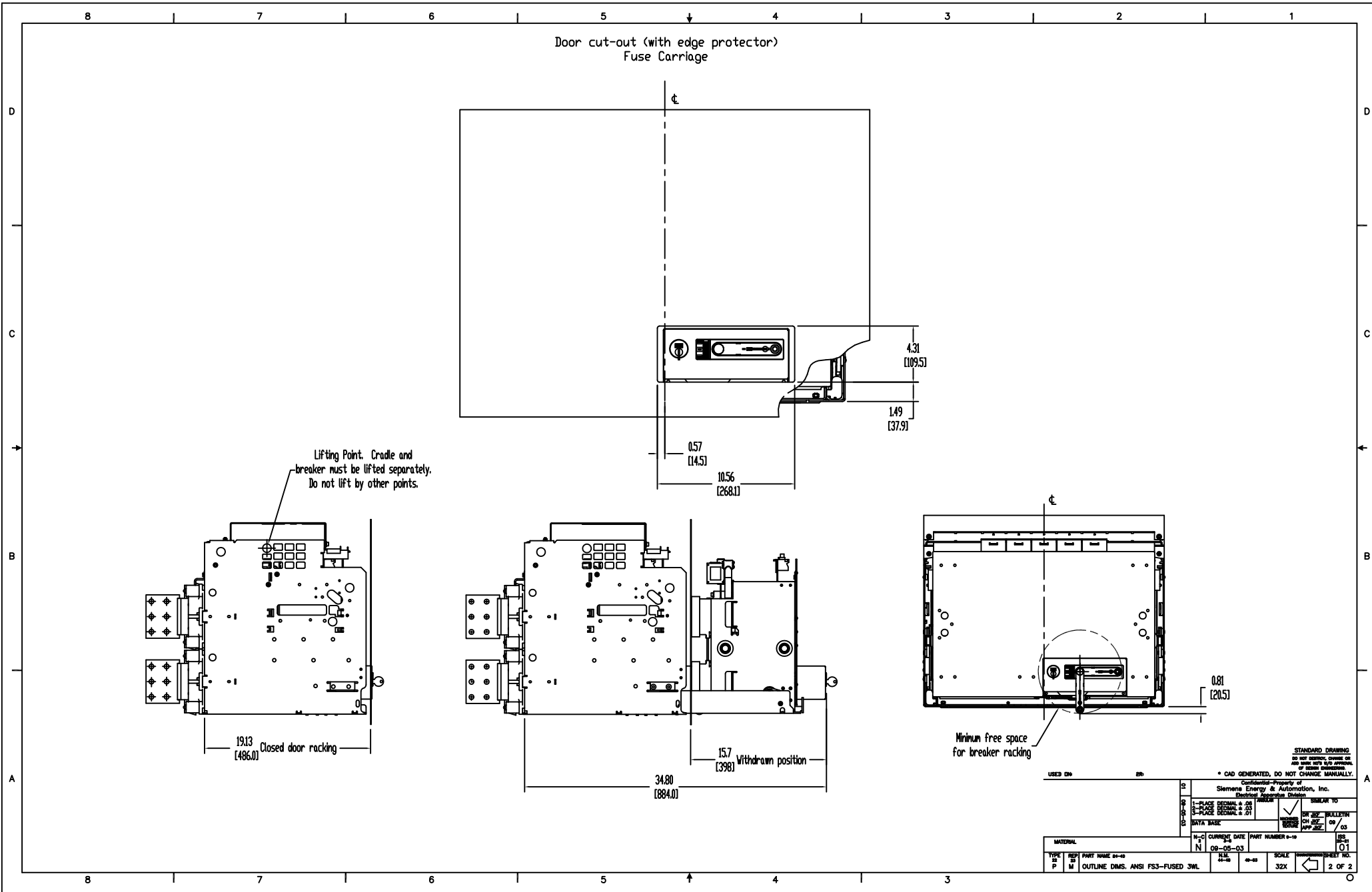
Confidential-Property of
 Siemens Energy & Automation, Inc.
 Electrical Apparatus Division

Q	1-PLACE DECIMAL ± .01	DRG NO.	BULLETIN
R	2-PLACE DECIMAL ± .03	CHKD BY	09 / 03
S	3-PLACE DECIMAL ± .01	ISSUED BY	APP. NO.
D	DATA BASE	REVIEW	

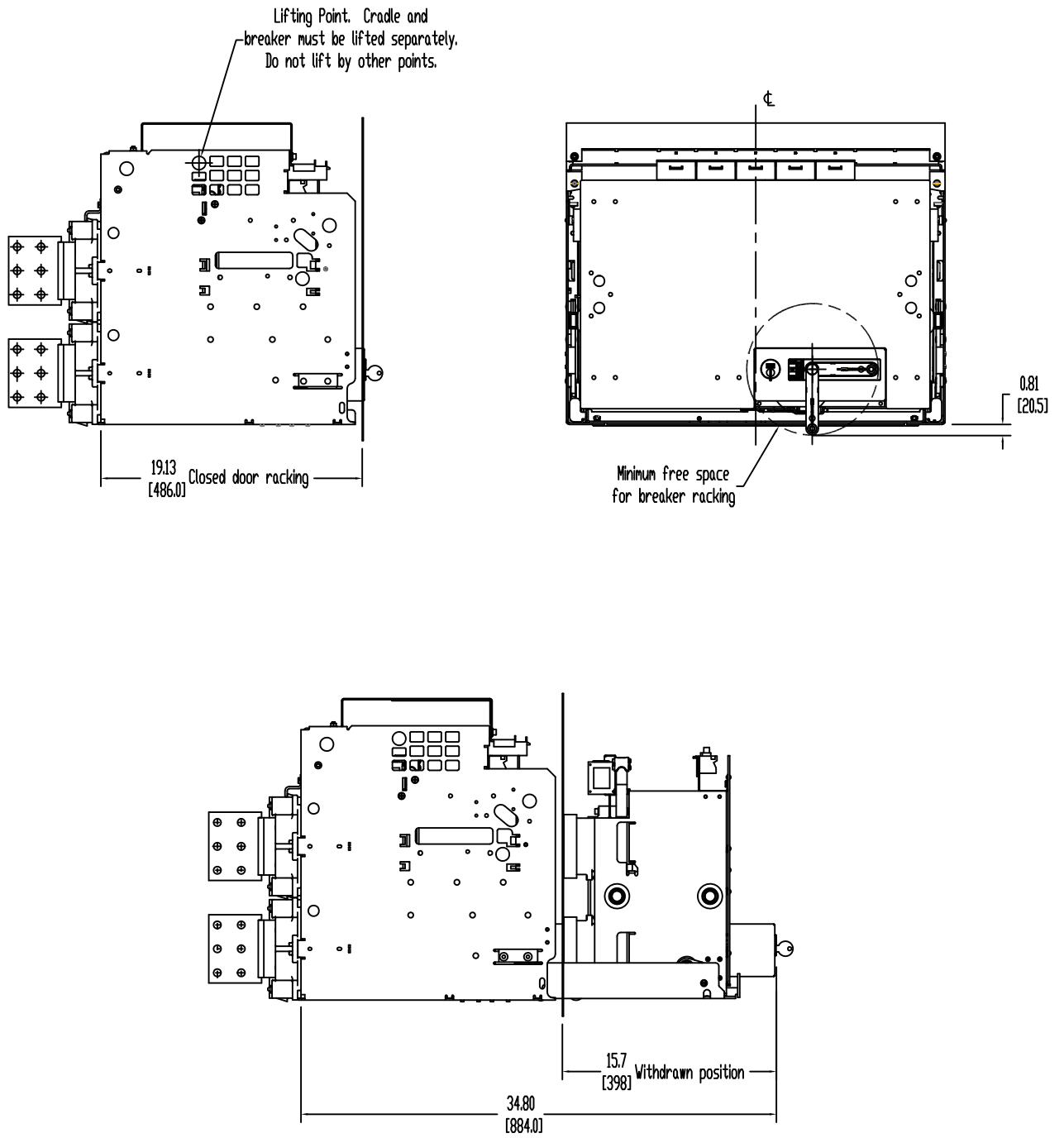
N-C CURRENT DATE PART NUMBER 0-10
 N 09-05-03 44

MATERIAL	TITLE	SCALE	DRY NO.
TYPE: 3P P M	OUTLINE DIMS. ANSI F33-FUSED 3ML	32X	01

1 OF 2



UL 1066 FSIII DRAWOUT FUSE CARRIAGE GUIDE FRAME



UL 1066 FSIII DRAWOUT FUSE CARRIAGE GUIDE FRAME

