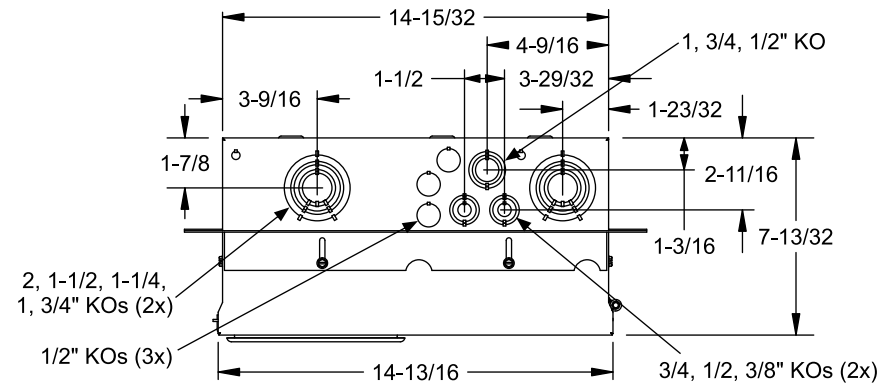


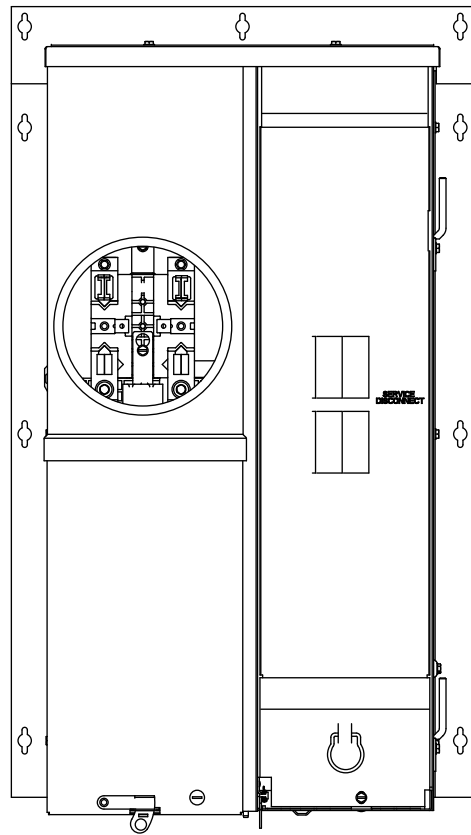
# Catalog Number: MM0202L1200EFC

## Features and Ratings

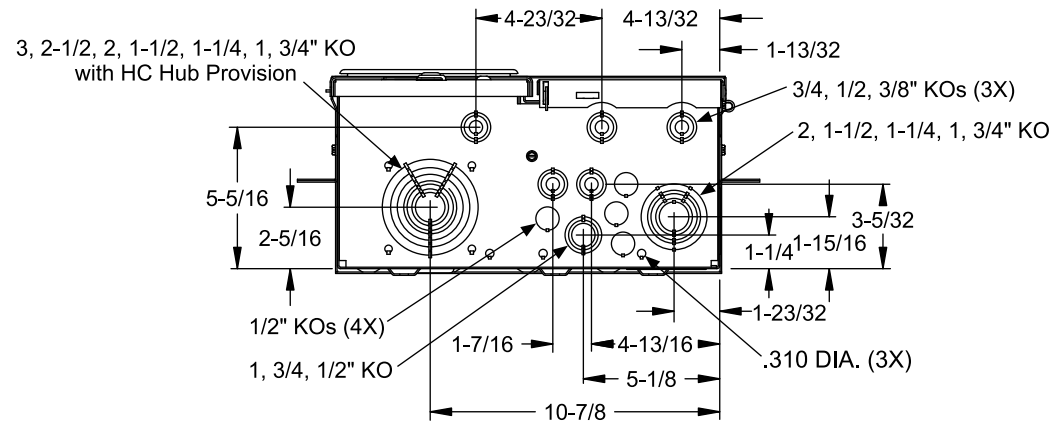
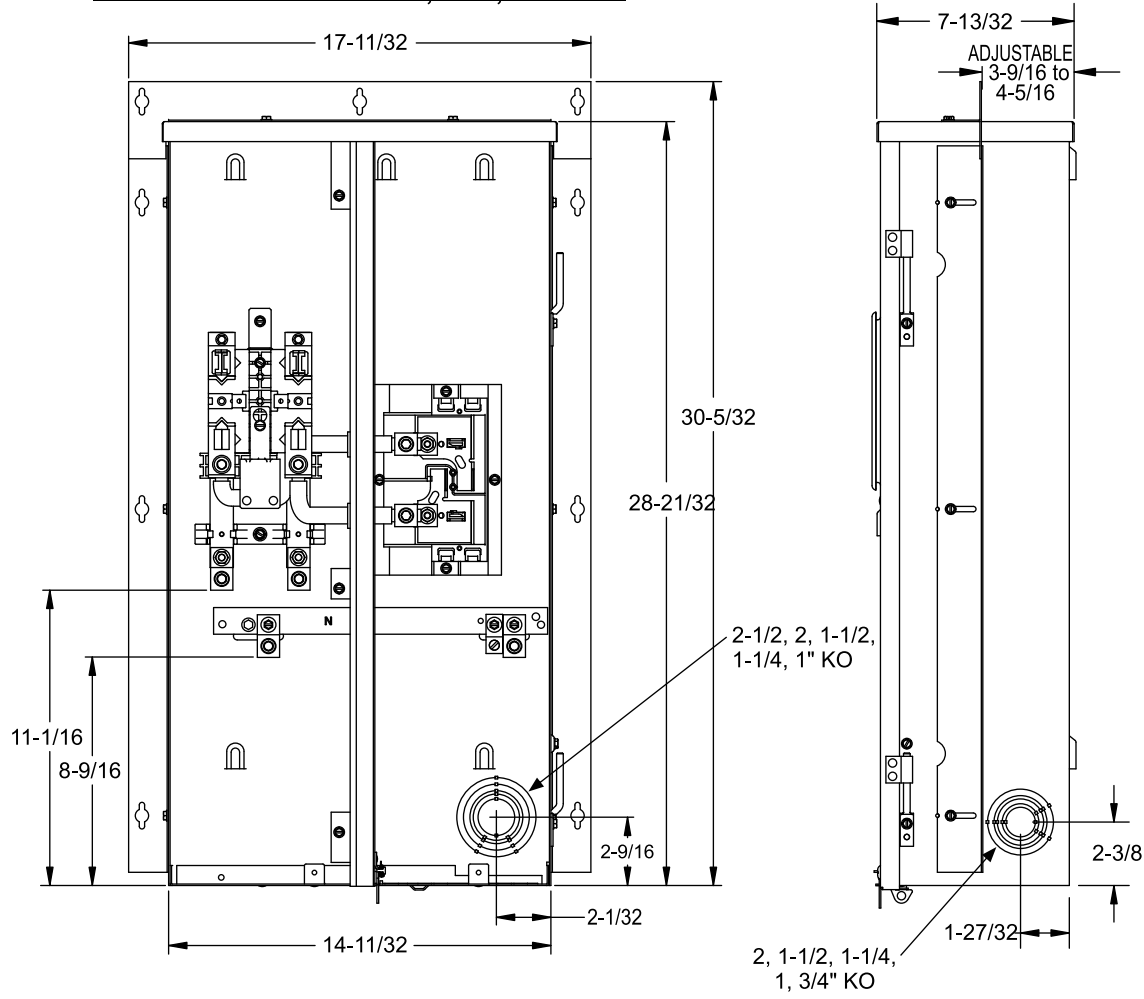
- Outdoor Enclosure (NEMA Type 3R)
- Ring Type Meter Cover
- Meter Socket Rating: 200A Continuous
- 200A Max, 1 Phase, 3 Wire, 120/240V~, 120/208V~
- Field Added Main Breaker
- 22,000 AIC Max. Rated (See Wiring Diagram for Details)
- Aluminum Bus Bars
- Overhead or Underground Service Entrance
- Flush Mounting
- Complies with EUSERC Dwg. No. 301



View Shown Without Door



View Shown Without Covers, Door, Deadfront



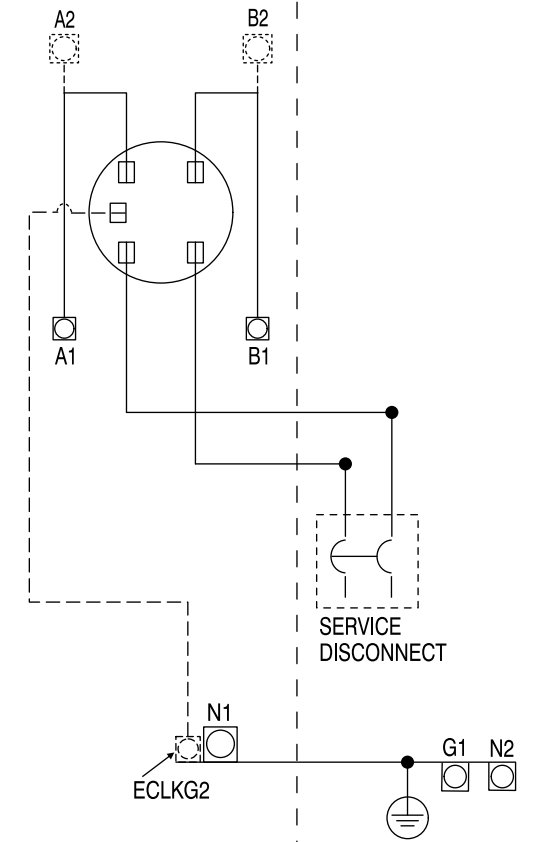
## Accessories

Trade size (in)	Catalog number
HC Type Hub (bottom endwall)	
2"	ECHC200
2 1/2"	ECHC250
3"	ECHC300

Accessories:	Cat. No.
Filler Plate	ECQF3
5th Jaw Assembly	EMC5J
Meter Socket Jumper	ECJS

Lug Kit	Wire Range	Torque
ECLKG2	2/0-#14	50 Lb-Ins.

## Schematic



This equipment has been designed for use only with Siemens Type QN, QNH, QP, QPH, QPF, QPHF, QAF, QAFH, QE, QEH, MD-T, MD-HT, MP-T, MP-HT, MP-GT, MP-HGT, MP-AT, MP-HAT, MP-ET and MP-HET circuit breakers.

Terminal	Wire Size	Torque
A1, B1, A2, B2	250kcmil - #4	250 lb-in
N1, N2	250kcmil - #4	250 lb-in
G1	2/0 - #14	50 lb-in
Branch Breaker Terminals	See Markings on Breaker	

Line terminals A1 and B1 are installed for underground service entry as shown in the wiring diagram. For overhead entry, service bus may be repositioned.

© 2012 Copyright Siemens Industry, Inc.

**SIEMENS**  
Siemens Industry, Inc.

## Meter/Main Breaker Combination

Description:  
**200A, Field Added Brkr, OH/UG, Flush Mount**

KAM 10/4/12 Fam G DO NOT SCALE DRAWING Dwg. No. **MM0202L1200EFC**