

# Catalog Number MM0202L1125ESC

## Features and Ratings

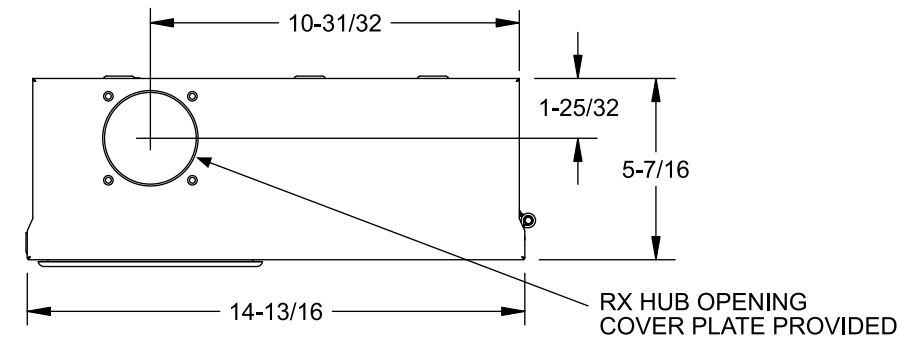
- Outdoor Enclosure (NEMA Type 3R)
- Ring Type Meter Cover
- Meter Socket Rating: 125A Continuous
- 125A Max, 1 Phase, 3 Wire, 120/240V~, 120/208V~
- Field Added Main Breaker
- 22,000 AIC Max. Rated (See Wiring Diagram for Details)
- Aluminum Bus Bars
- Overhead or Underground Service Entrance
- Surface Mounting
- Complies with EUSERC Dwg. No. 301

## Accessories, Torques & Wire Sizes

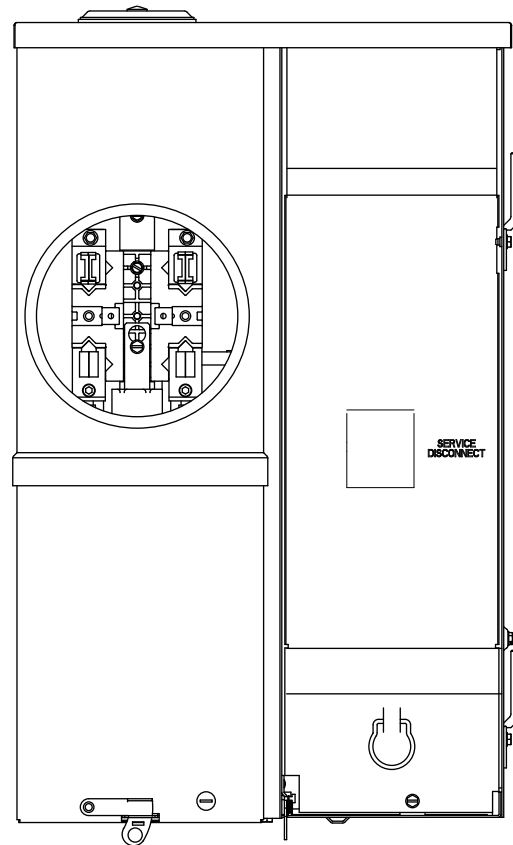
Trade size (in)	Catalog number
<i>RX Type Hub (top endwall)</i>	
1 1/4"	EC38597
1 1/2"	EC38598
2"	EC38599
2 1/2"	EC38600
RX Cover Plate	EC38595
<i>HC Type Hub (bottom endwall)</i>	
2"	ECHC200
2 1/2"	ECHC250
3"	ECHC300

Accessories:	Cat. No.
Filler Plate	ECQF3
5th Jaw Assembly	EMC5J
Meter Socket Jumper	ECJS

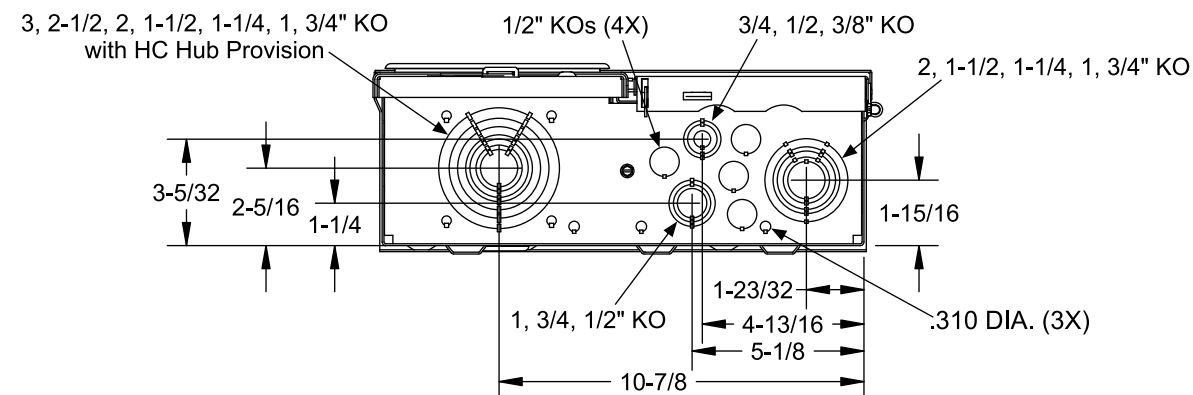
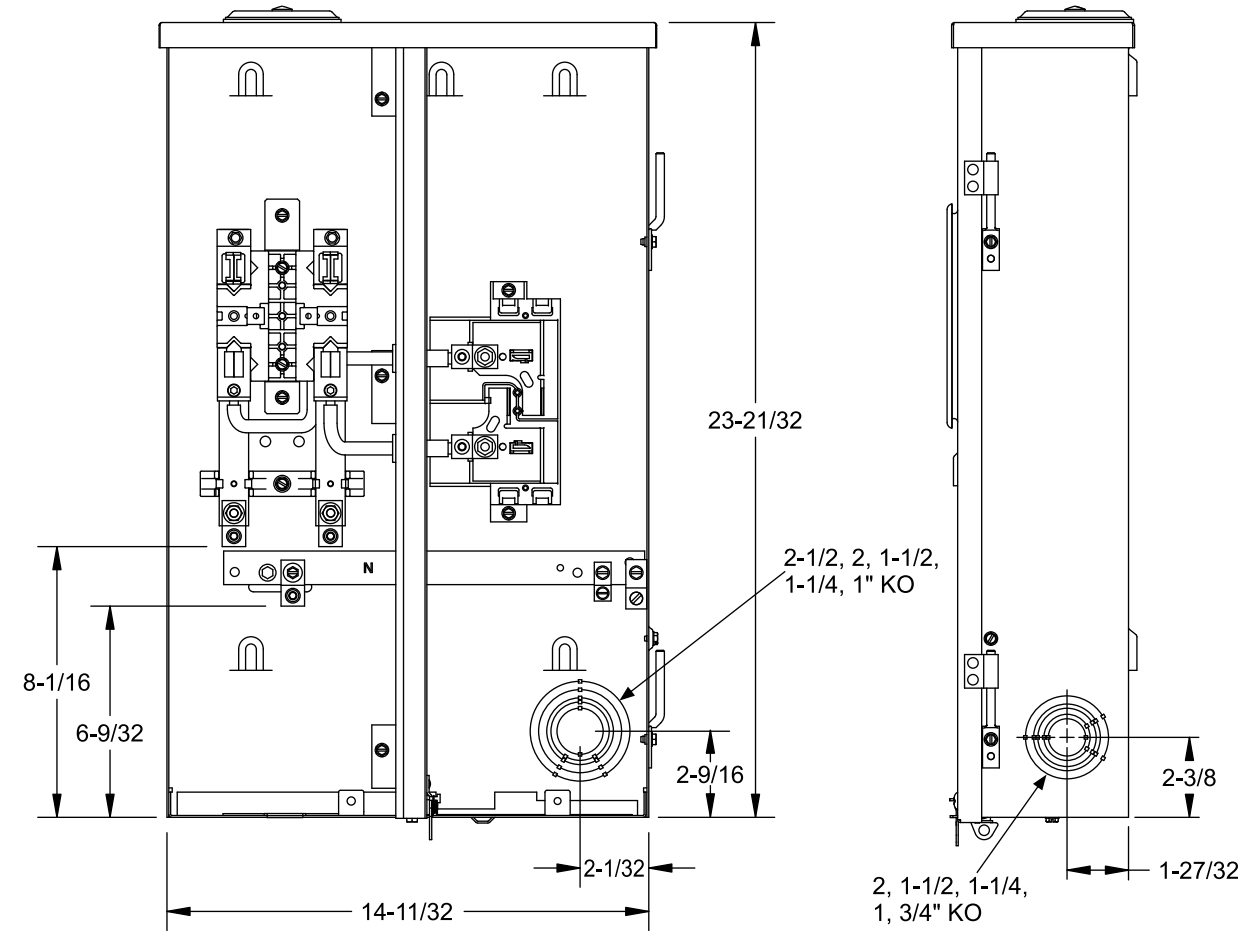
Lug Kit	Wire Range	Torque
ECLKG2	2/0-#14	50 Lb-Ins.



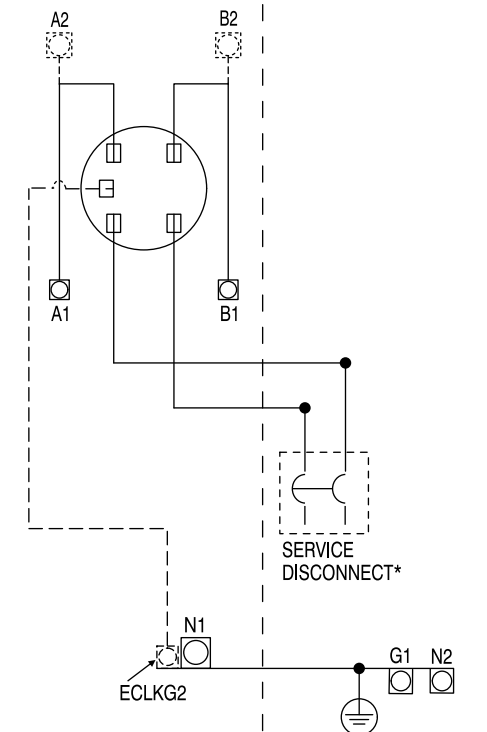
View Shown Without Door



View Shown Without Covers, Door, Deadfront



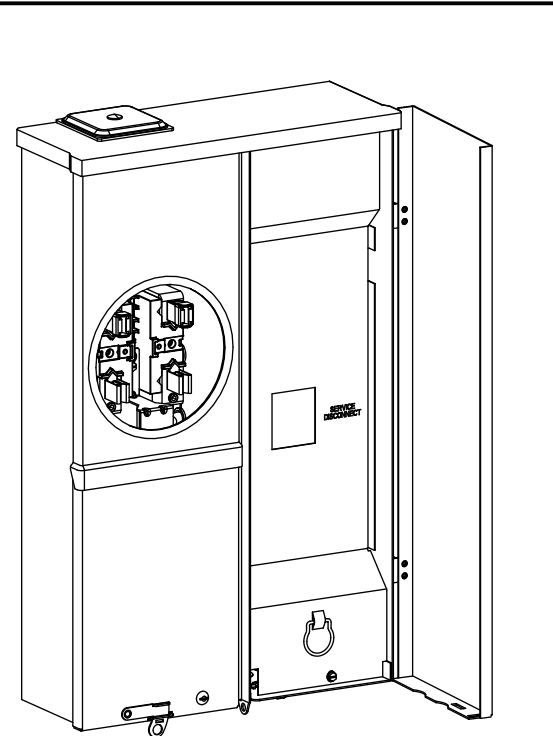
## Schematic



Terminal	Wire Size	Torque
A1, B1, A2, B2, N1	2/0 - #4	110 lb-in
N2	2/0 - #4	50 lb-in
G1	#2 - #14	45 lb-in
Branch Breaker Terminals	See Markings on Breaker	

\*Use Siemens Type QP, QPH, QPF, QPHF, QAF, QAFH, QE, QEH, MP-T, MP-HT, MP-GT, MP-HGT, MP-AT, MP-HAT, MP-ET or MP-HET circuit breakers.

Line terminals A1 and B1 are installed for underground service entry as shown in the wiring diagram. For overhead entry, service bus may be repositioned.



© 2012 Copyright Siemens Industry, Inc.

**SIEMENS**  
Siemens Industry, Inc.

## Meter/Main Breaker Combination

Description:  
**125A, Field Added Brkr, OH/UG, Surf Mount**

KAM 10/4/12 Fam G DO NOT SCALE DRAWING Dwg. No. **MM0202L1125ESC**