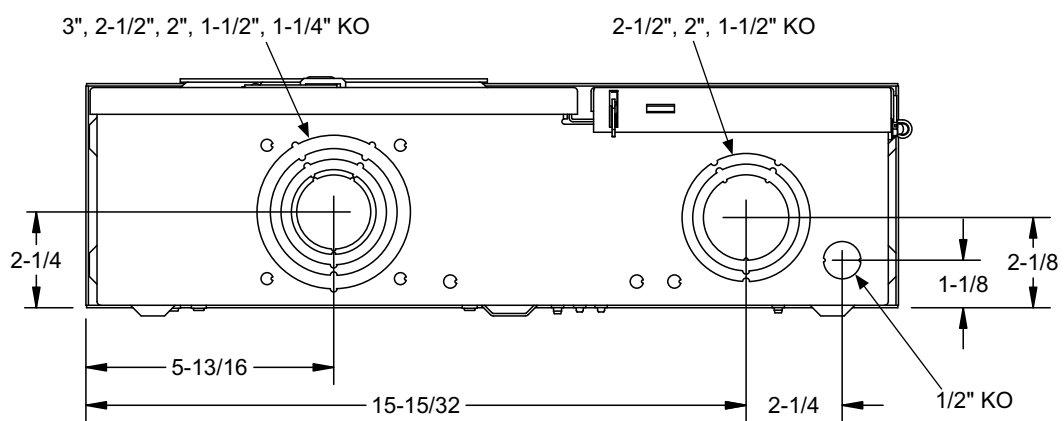
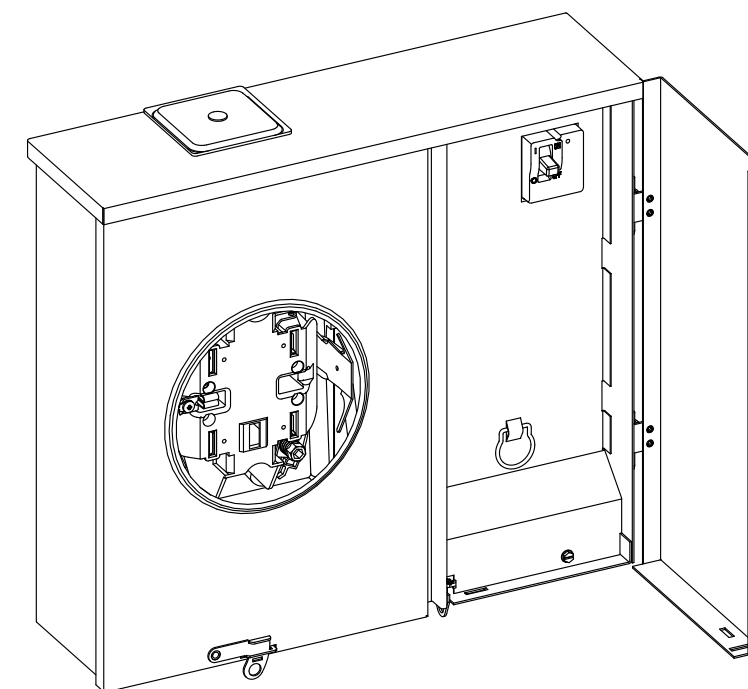
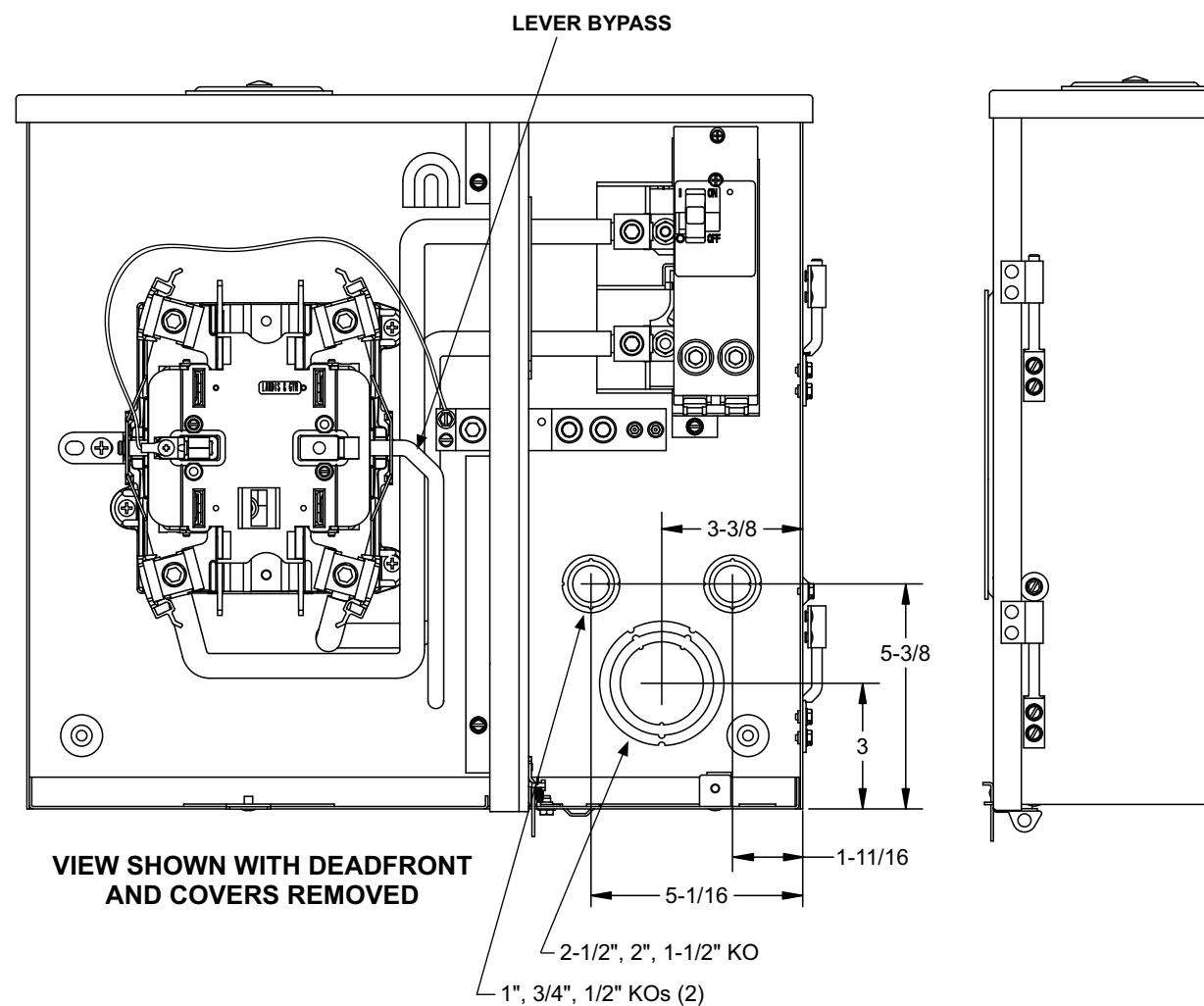
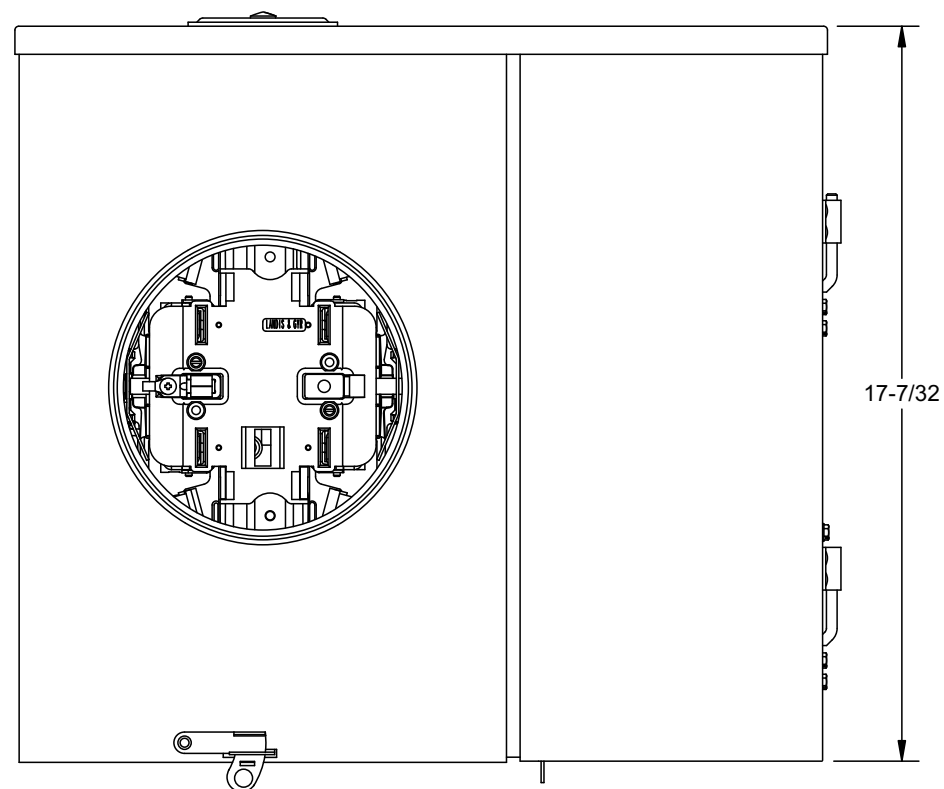
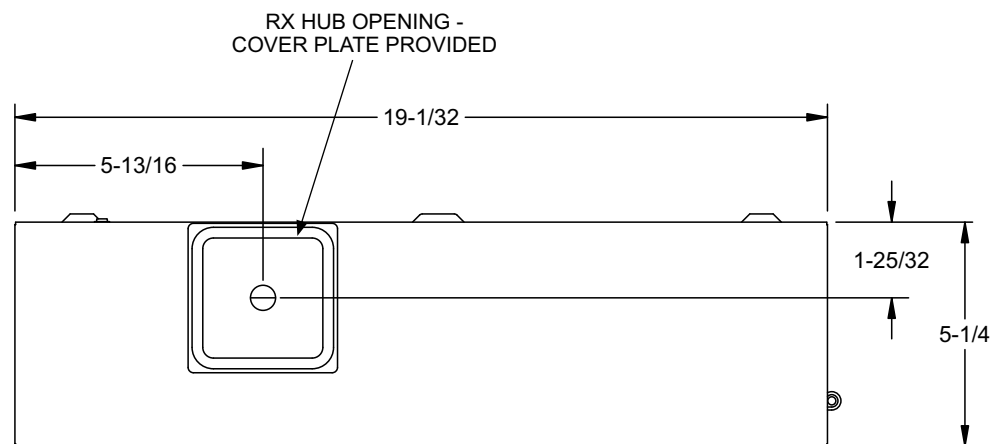


**Catalog Number: MM0202B1200JLX**

**Features and Ratings**

- UL Listed
- Pending XCEL Approval
- 200A Continuous Rating, Type HQ Lever Bypass Meter Socket
- 200A Main Breaker Factory Installed
- 5th Jaw Factory Installed



© 2010 Copyright Siemens Industry, Inc.

**Siemens Industry, Inc.**  
Building Technologies Division

**Meter Load Center Combination**

Description:  
**200A 0202 HQ Lever Bypass OH/UG**

Size <b>B</b>	FamT-LBP	Dwg. No. <b>MM0202B1200JLX</b>
------------------	----------	-----------------------------------

Dwn KAM	Date 4/20/10	DO NOT SCALE DRAWING	SHEET 1 OF 1
------------	-----------------	----------------------	-----------------