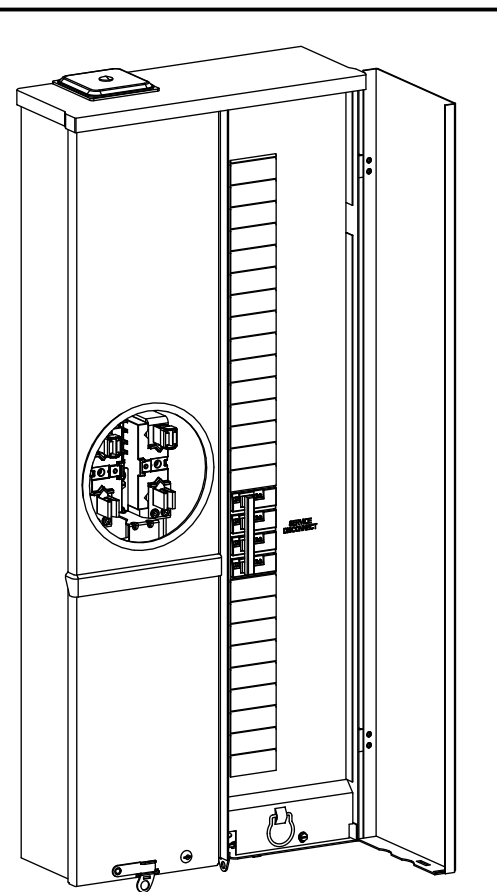


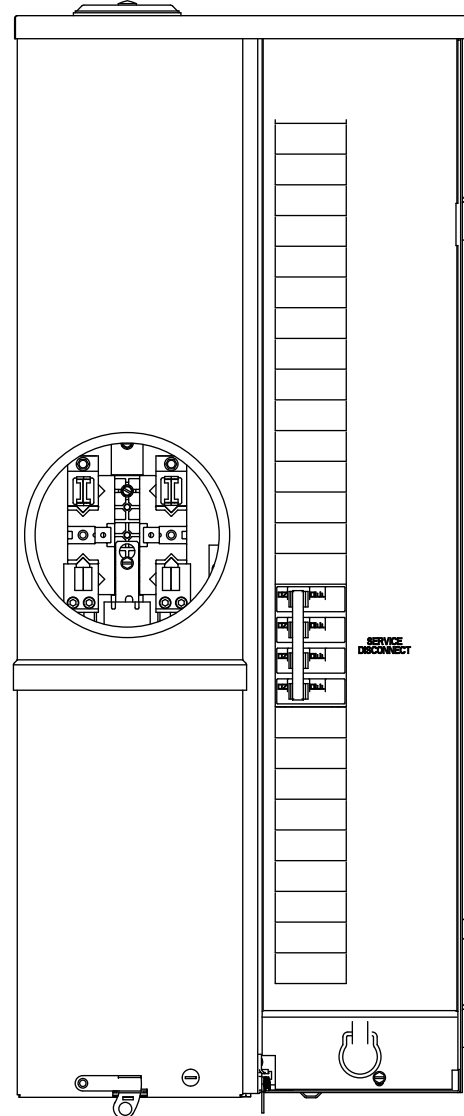
| Catalog Number | Main Breaker |
|----------------|--------------------------------|
| MC2442B1200ESC | 200A Breaker Factory Installed |
| MC2442B1225ESC | 225A Breaker Factory Installed |

Features and Ratings

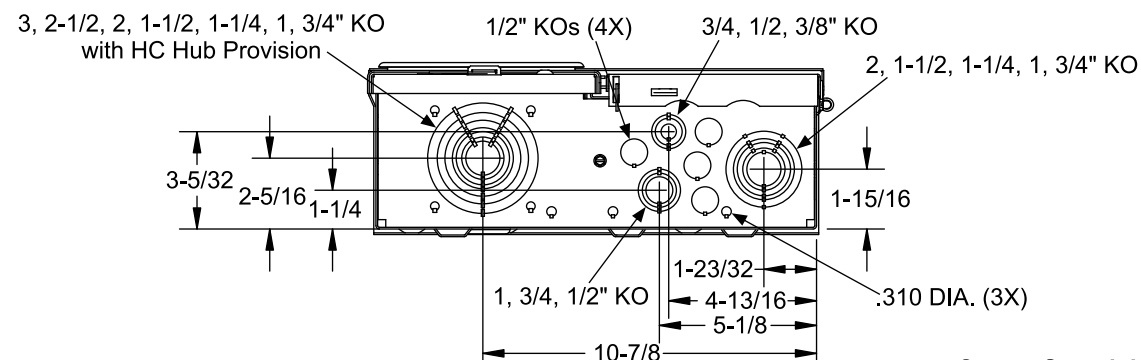
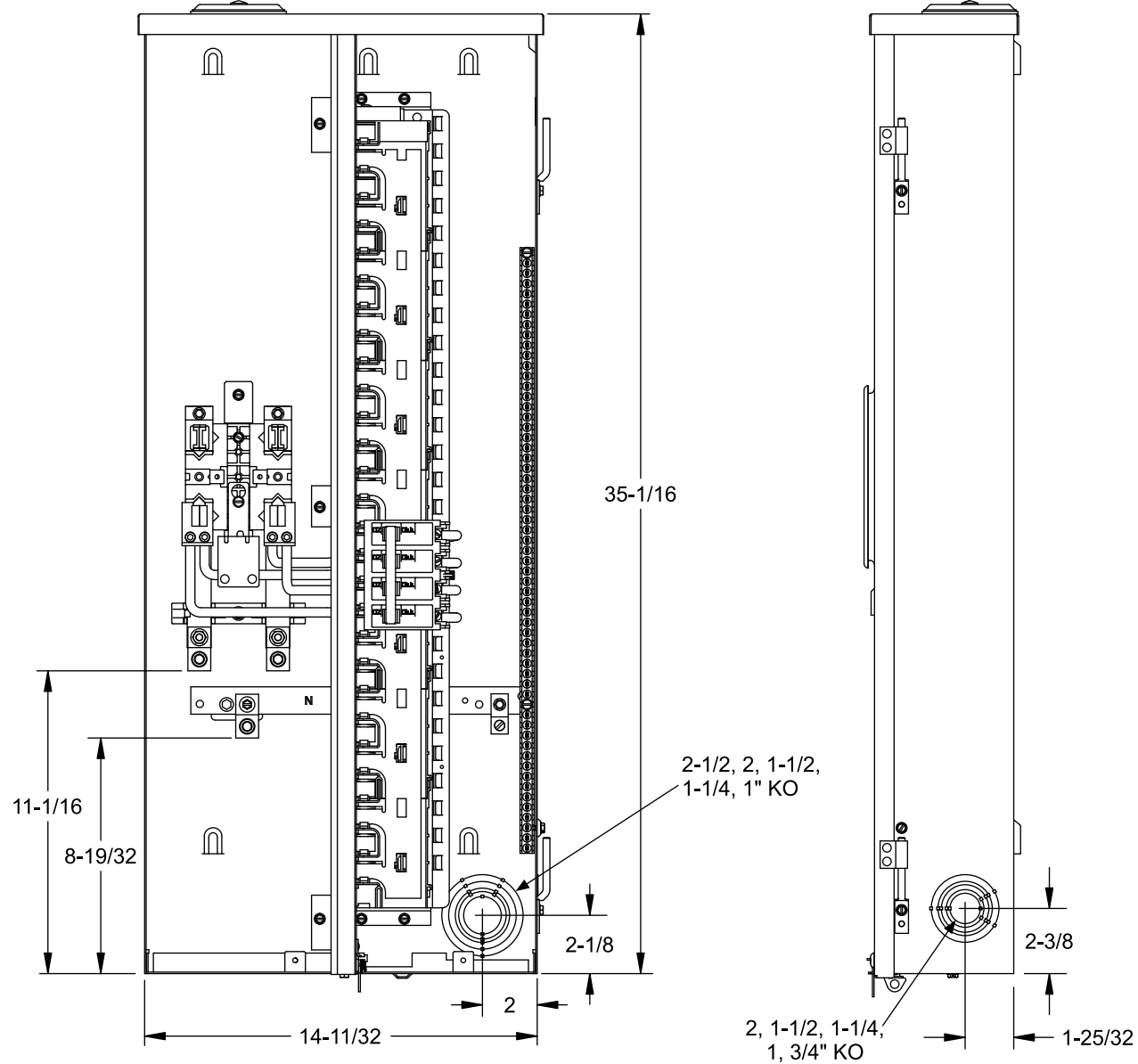
- Outdoor Enclosure (NEMA Type 3R)
- Ring Type Meter Cover
- Meter Socket Rating: 200A Continuous
- 1 Phase, 3 Wire, 120/240V~, 120/208V~
- 22,000 AIC Max. Rated (See Wiring Diagram for Details)
- (24) 1" Spaces, (42) Circuits Max.
- Copper Bus Bars
- Overhead or Underground Service Entrance
- Surface Mounting
- Complies with EUSERC Dwg. No. 301



View Shown Without Door



View Shown Without Covers, Door, Deadfront



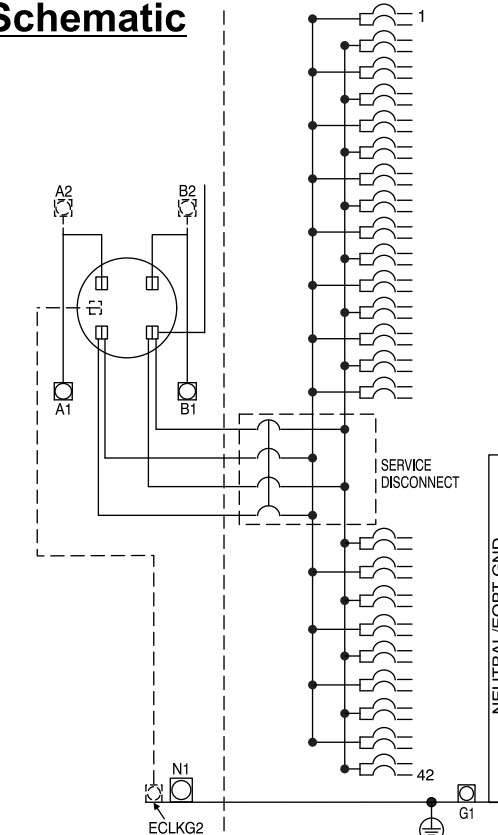
Accessories, Torques & Wire Sizes

| Trade size (in) | Catalog number |
|-------------------------------------|----------------|
| <i>RX Type Hub (top endwall)</i> | |
| 1 1/4" | EC38597 |
| 1 1/2" | EC38598 |
| 2" | EC38599 |
| 2 1/2" | EC38600 |
| RX Cover Plate | EC38595 |
| <i>HC Type Hub (bottom endwall)</i> | |
| 2" | EHC200 |
| 2 1/2" | EHC250 |
| 3" | EHC300 |

| Accessories | Cat. No. |
|----------------------|----------|
| Filler Plate | ECQF3 |
| 5" Jaw Assembly | EMC5J |
| Mechanical Interlock | ECQML12 |
| Meter Socket Jumper | ECJS |
| Interlock Kit | ECSBP02 |

| Lug Kit | Wire Range | Torque |
|---------|------------|----------|
| ECLKG2 | 2/0 - #14 | 50 lb in |

Schematic



Any 80-125 Amp circuit breaker must be installed in the lowest position in the branch panel. All other positions are limited to 70 Amp maximum circuit breakers.

| Terminal | Wire Size | Torque |
|--------------------------|-------------------------|-----------|
| A1, B1, A2, B2 | 250kcmil - #4 | 250 lb-in |
| N1 | 250kcmil - #4 | 250 lb-in |
| G1 | 2/0 - #14 | 50 lb-in |
| Branch Breaker Terminals | See Markings on Breaker | |
| Neutral/Equipment Ground | #10 - #14 CU | 20 lb-in |
| | #10 - #12 AL | 20 lb-in |
| | #8 | 25 lb-in |
| Ground Conductors Only | #6 - #4 | 35 lb-in |
| | (2) or (3) #14 AWG | 20 lb-in |
| | (2) #12-#10 AWG | 20 lb-in |

Line terminals A1 and B1 are installed for underground service entry as shown in the wiring diagram. For overhead entry, service bus may be repositioned.

SIEMENS
Siemens Industry, Inc.

Meter Load Center Combination

Description:
200/225A, 24 Sp/42 Ckt, OH/UG, Surf Mount

KAM 10/4/12 Fam G DO NOT SCALE DRAWING Dwg. No. **MC2442B12xxESC**