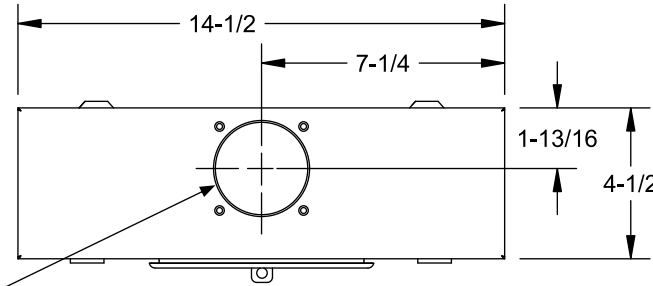


Catalog Number: MC2040B1200SZ

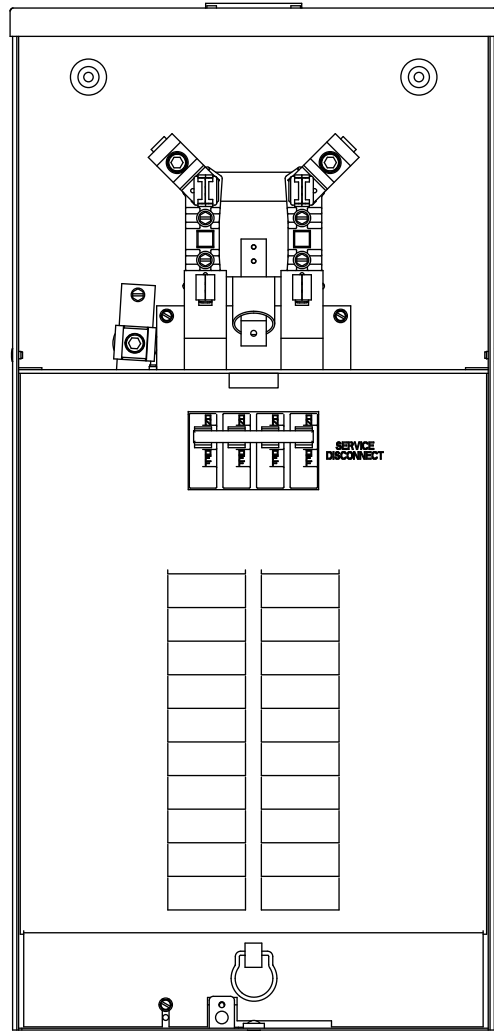
Features and Ratings

- Outdoor Enclosure (NEMA Type 3R)
- Ring Type Meter Cover
- Meter Socket Rating: 200A Continuous
- 200A Max, 1 Phase, 3 Wire, 120/240V~, 120/208V~
- 200A Main Breaker Installed
- 22,000 AIC Max. Rated (See Wiring Diagram for Details)
- (20) 1" Spaces, (40) Circuits Max.
- Overhead Service Entrance Only
- Surface Mounting

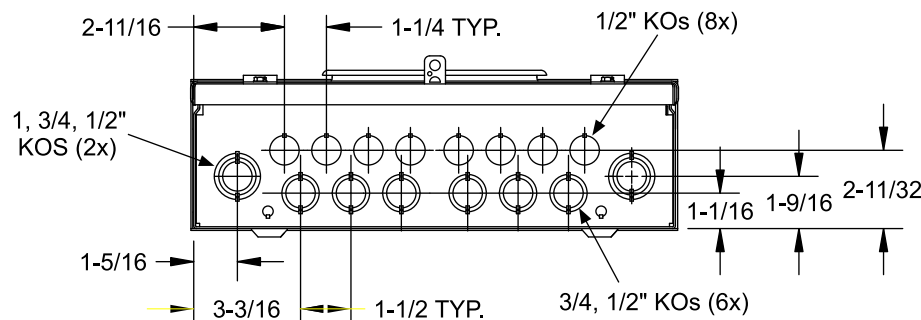
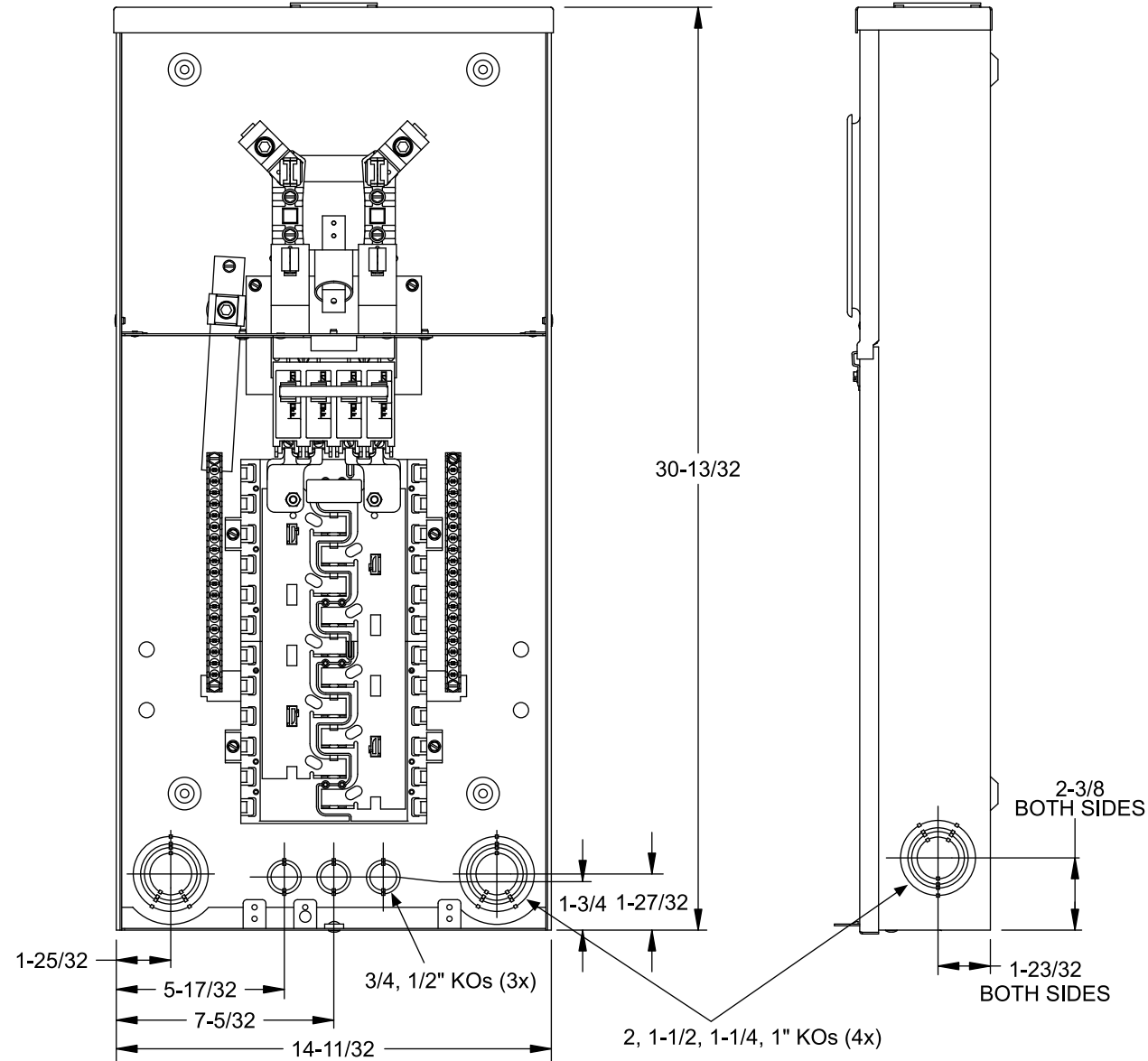


RX HUB OPENING

View Shown Without Covers



View Shown Without Covers and Deadfront



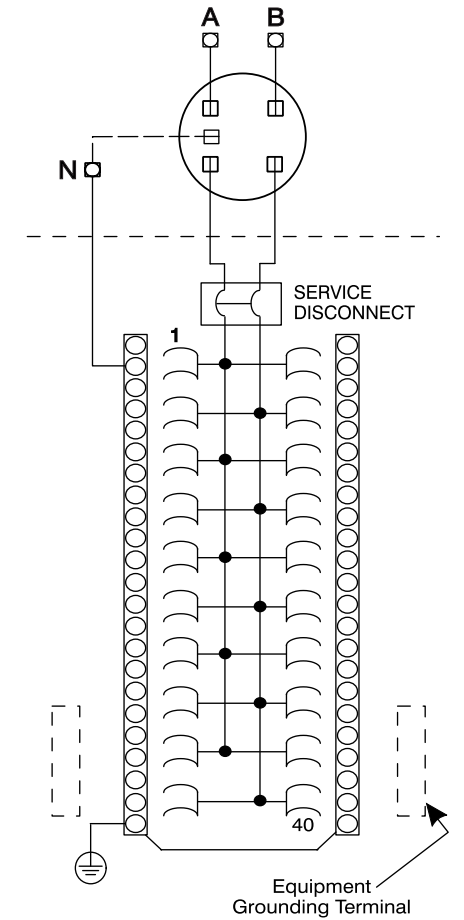
Accessories, Torques & Wire Sizes

Trade size (in)	Catalog number
RX Type Hub (top endwall)	
1 1/4"	EC38597
1 1/2"	EC38598
2"	EC38599
2 1/2"	EC38600
RX Cover Plate	EC38595

Accessories	Cat.
No. Filler Plate	ECQF3
5th Jaw	EC659-0121
Mechanical Interlock	ECQML12
Equip Grd Bars	"ECLX" Type

Lug Kit	Wire Range	Torque
ECLK1-2	2/0-4 AWG	45 lb in
ECLK2	2/0-4 AWG	135 lb in

Schematic



Terminal	Wire Size	Torque
A, B, N	250kcmil - #1	250 lb-in
Branch Breaker Terminals	See Markings on Breaker	
Neutral Bar	#10 - #14 CU	20 lb-in
	#10 - #12 AL	20 lb-in
	#8	25 lb-in
Ground Conductors Only	#6 - #4	35 lb-in
	(2) or (3) #14 AWG	20 lb-in
	(2) #12-#10 AWG	20 lb-in

© 2012 Copyright Siemens Industry, Inc.

SIEMENS
Siemens Industry, Inc.

Meter Load Center Combination

Description: **200A, 20 Sp/40 Ckt, OH, Surf Mount**

KAM 10/12/12 Fam 1 DO NOT SCALE DRAWING Dwg. No. **MC2040B1200SZ**