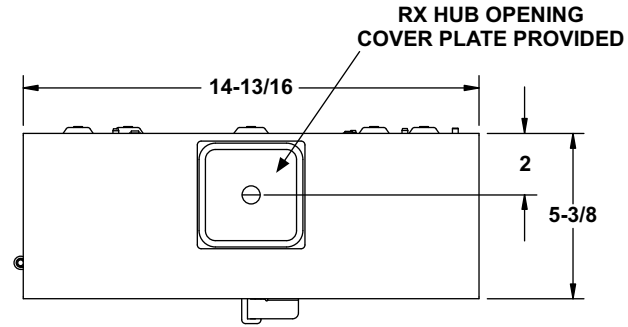


**Catalog Number: MC1224B1200JLC**

**Features and Ratings**

- UL Listed
- Pending XCEL Approval
- 200A Continuous Rating, Type HQ  
Lever Bypass Meter Socket
- 12 Spaces, 24 Circuits Max.
- 200A Main Breaker Factory Installed
- 5th Jaw Factory Installed in 9 O'Clock Position



**Accessories**

Filler Plate Cat. No. QF3 or ECQF3  
 Mechanical Breaker Interlock: ECSBPK09  
 Equipment Grounding Bars: Type ECGB

Neutral Lug Kit	Wire Range	Torque
ECLK1-2	2/0-#4	45 Lb.-Ins.
ECLK2	2/0-#4	135 Lb.-Ins.
ECLK3	300 kcmil - #1	340 Lb.-Ins.

Trade size (in)	Catalog number
<i>RX Type Hub (top endwall)</i>	
1 1/4"	EC38597
1 1/2"	EC38598
2"	EC38599
2 1/2"	EC38600
<i>HC Type Hub (bottom endwall)</i>	
2"	EHC200
2 1/2"	EHC250
3"	EHC300

**Wire Sizes and Torques**

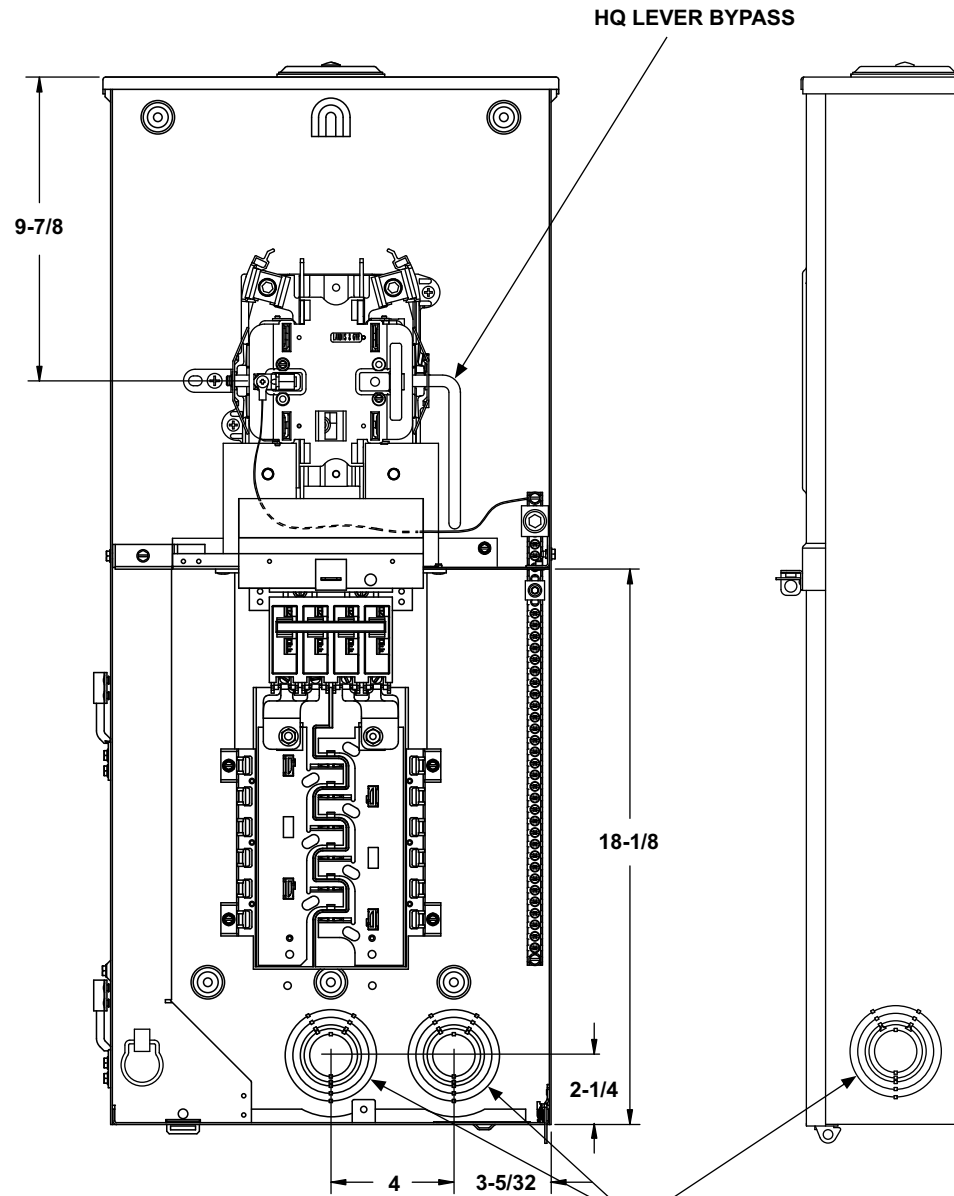
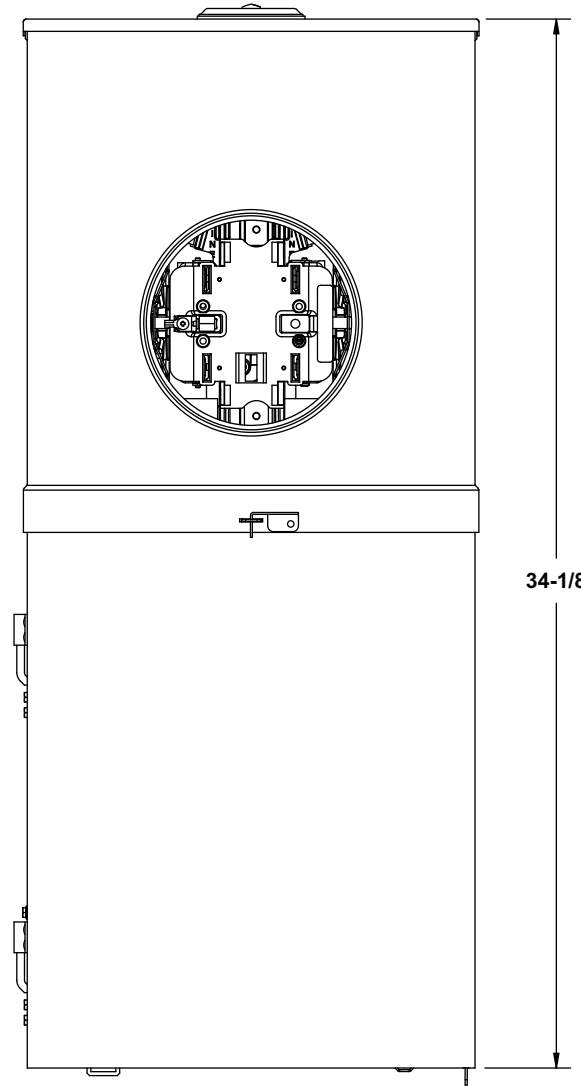
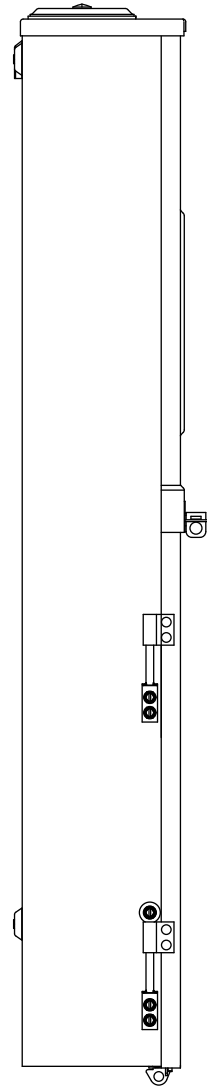
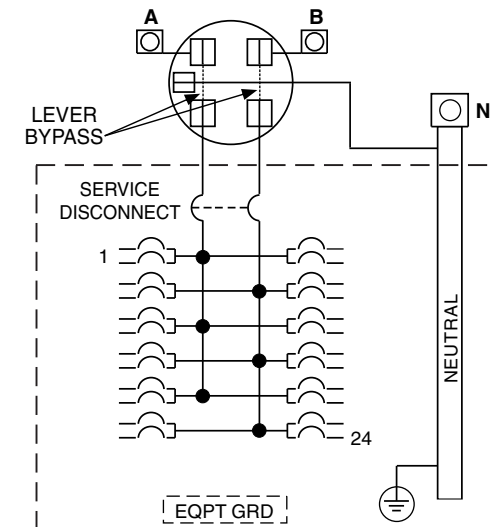
(see schematic)

Terminals A, B, and N  
 Suitable for 60°/75°C Conductors.  
 Wire Size: #4 AWG-250 kcmil.  
 A, B: Torque Terminals to 275 Lb.-Ins.  
 N: Torque Terminals to 250 Lb.-Ins.

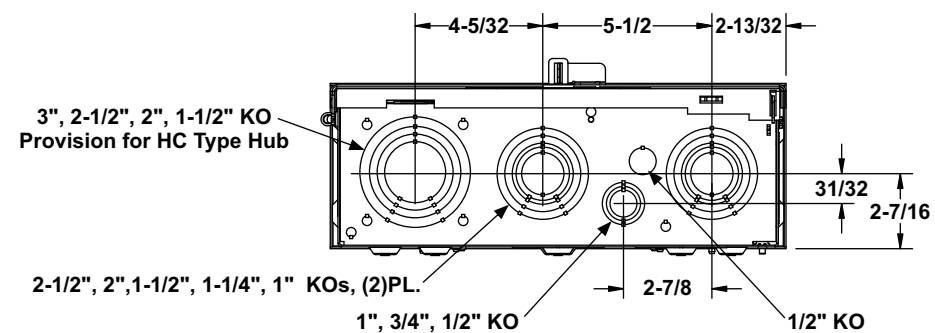
Neutral Bar is suitable for 60°/75°C Conductors.  
 Wire Size 4-14 AWG CU, 4-12 AWG AL.  

Wire Size	Tighten Torque
14-10CU/12-10AL AWG	20 Lb.-Ins.
8 AWG	25 Lb.-Ins.
6-4 AWG	35 Lb.-Ins.

**Schematic**



VIEW SHOWN WITH DEADFRONT AND COVERS REMOVED  
 2-1/2", 2", 1-1/2", 1-1/4", 1" KOs

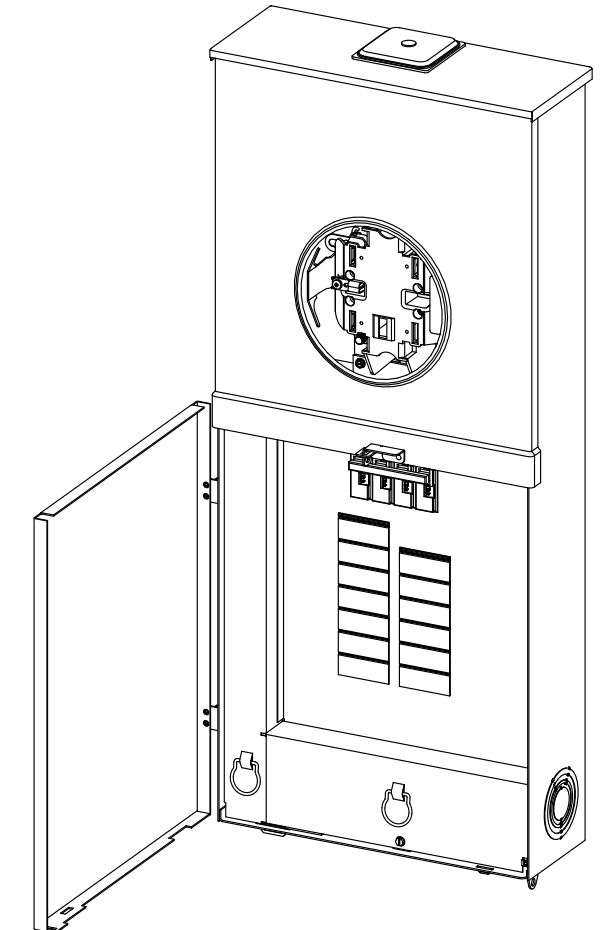


3", 2-1/2", 2", 1-1/2" KO  
 Provision for HC Type Hub

2-1/2", 2", 1-1/2", 1-1/4", 1" KOs, (2)PL.

1", 3/4", 1/2" KO

1/2" KO



© 2010 Copyright Siemens Industry, Inc.

**Siemens Industry, Inc.**  
 Building Technologies Division

**Meter Load Center Combination**

Description:  
**200A 1224 HQ Lever Bypass OH/UG**

Size B	FamT-LBP	Dwg. No.	<b>MC1224B1200JLC</b>
--------	----------	----------	-----------------------

Dwn	KAM	Date	5/10/10	DO NOT SCALE DRAWING	SHEET	1 OF 1
-----	-----	------	---------	----------------------	-------	--------