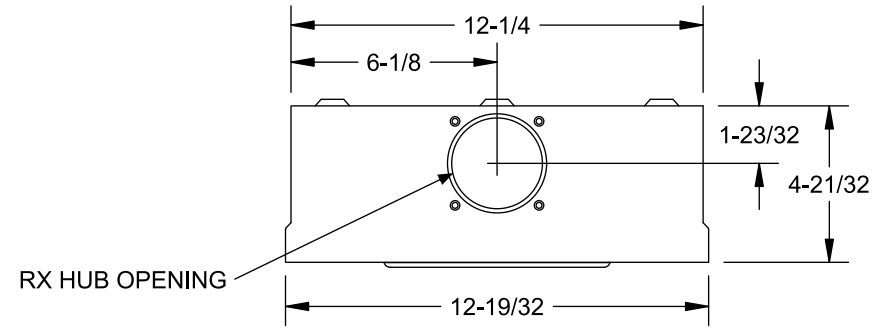


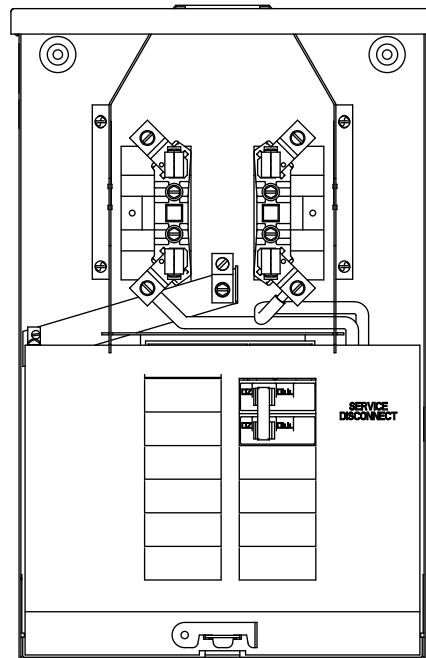
Catalog Number: MC1020B1100S

Features and Ratings

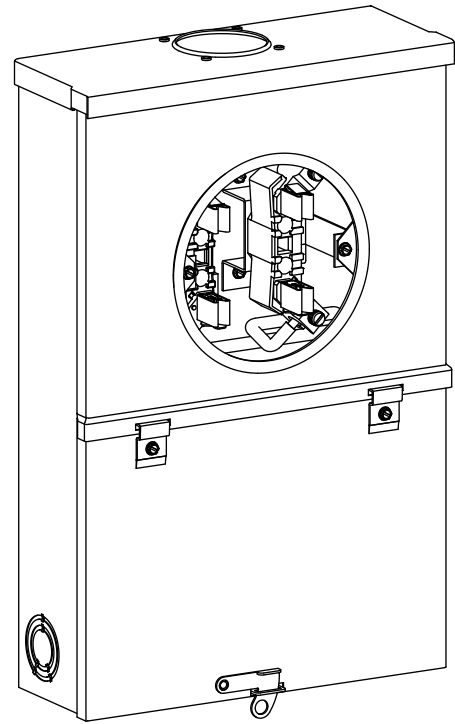
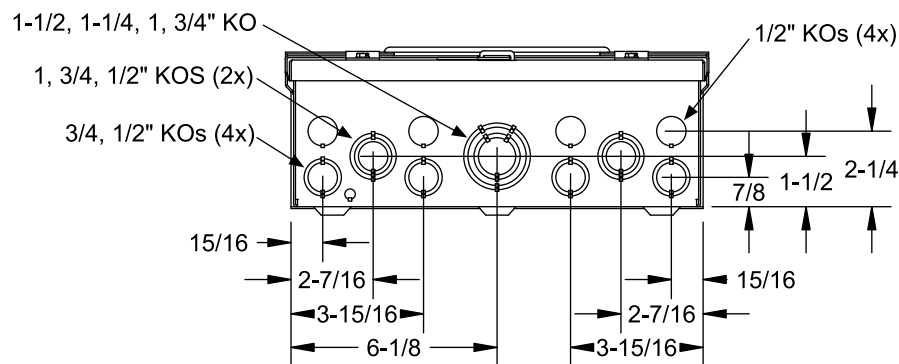
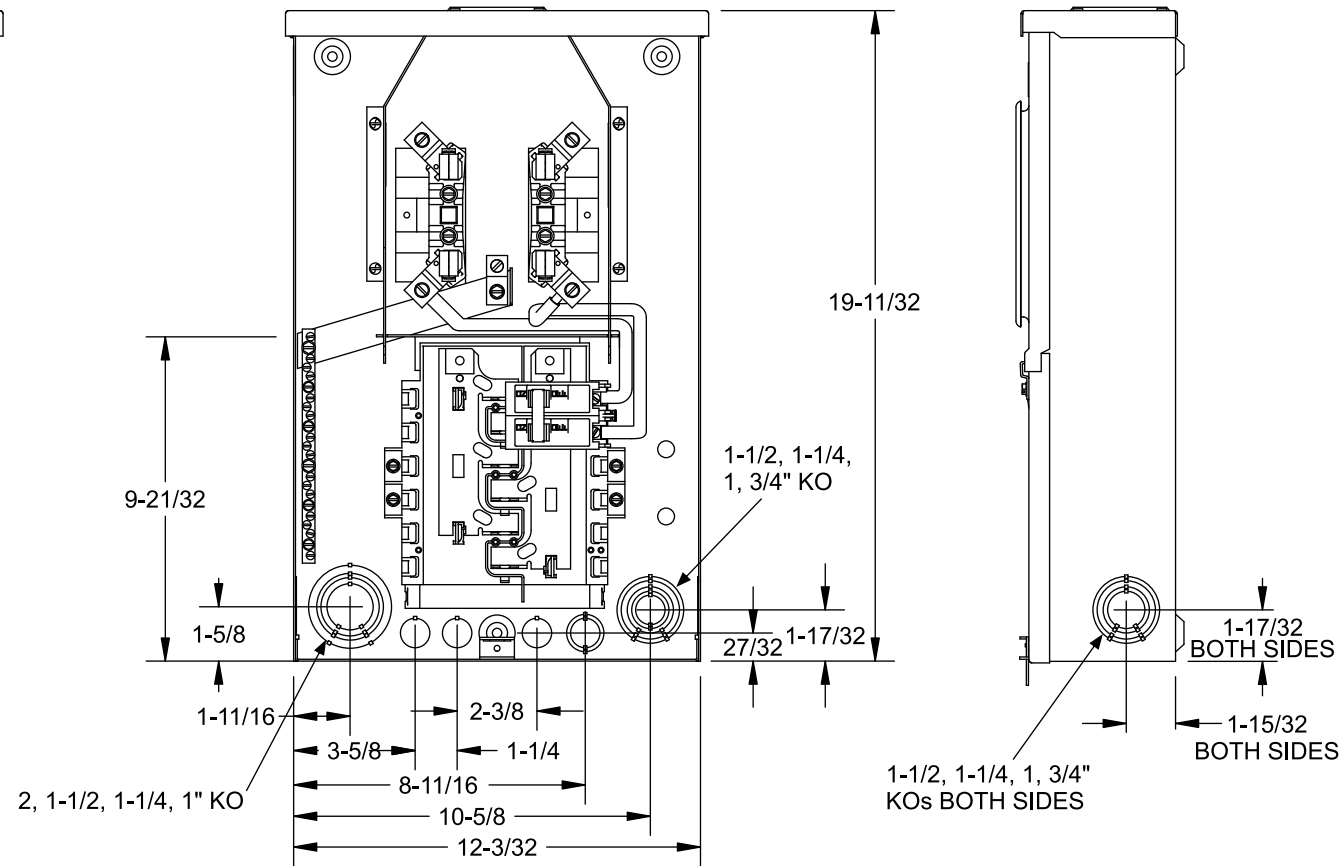
- Outdoor Enclosure (NEMA Type 3R)
- Ring Type Meter Cover
- Meter Socket Rating: 100A Continuous
- 100A Max, 1 Phase, 3 Wire, 120/240V~, 120/208V~
- 100A Main Breaker Installed
- 22,000 AIC Max. Rated (See Wiring Diagram for Details)
- (10) 1" Spaces, (20) Circuits Max.
- Overhead Service Entrance Only
- Surface Mounting



View Shown Without Covers



View Shown Without Covers and Deadfront

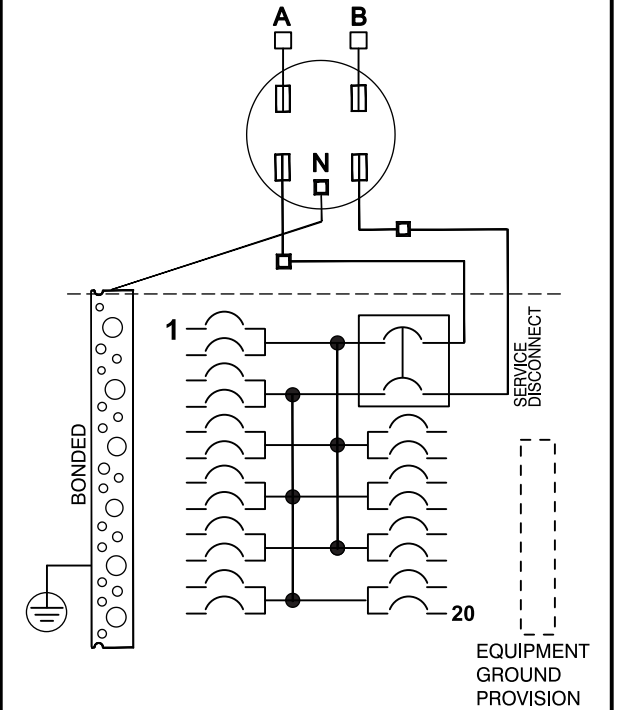


Accessories

Accessories	Cat.
No. Filler Plate	ECQF3
Equip Grd Bars	"ECLX" Type

Trade size (in)	Catalog number
RX Type Hub (top endwall)	
1 1/4"	EC38597
1 1/2"	EC38598
2"	EC38599
2 1/2"	EC38600
RX Cover Plate	EC38595

Schematic



Branch circuit conductors limited to #1 AWG, except limited to #3 AWG when leaving the enclosure through the center 6" of the bottom end wall.

Terminal	Wire Size	Torque
A, B, N	2/0 - #14	50 lb-in
Branch Breaker Terminals	See Markings on Breaker	
NEUTRAL AND EQPT GROUND BAR		
Small Terminals	10 - 14 AWG	20 lb-in
	8 AWG	25 lb-in
	6 AWG	35 lb-in
Large Terminals	10 - 14 AWG	35 lb-in
	8 AWG	40 lb-in
	3 - 6 AWG	45 lb-in

© 2012 Copyright Siemens Industry, Inc.

SIEMENS
Siemens Industry, Inc.

Meter Load Center Combination

Description: **100A, 10 Sp/20 Ckt, OH, Surf Mount**

KAM 10/12/12 Fam H DO NOT SCALE DRAWING Dwg. No. **MC1020B1100S**