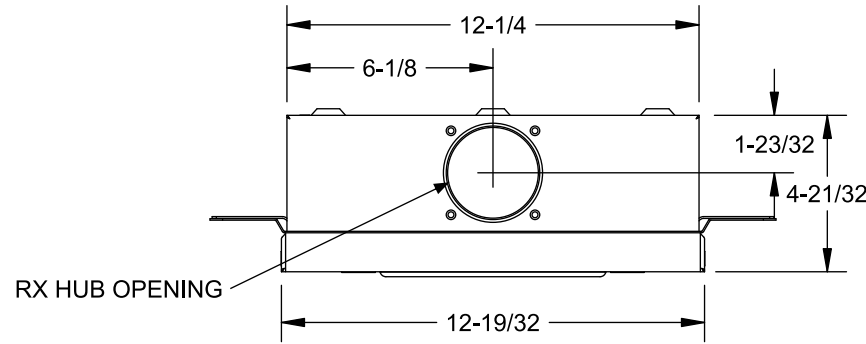


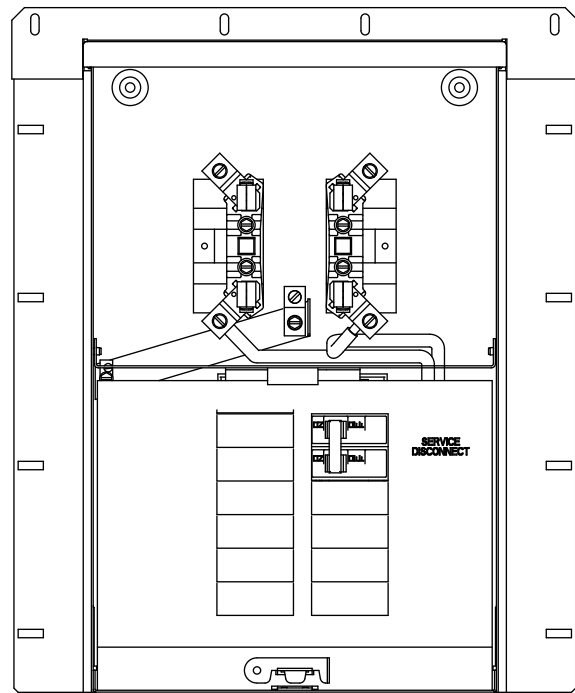
# Catalog Number: MC1020B1100FZ

## Features and Ratings

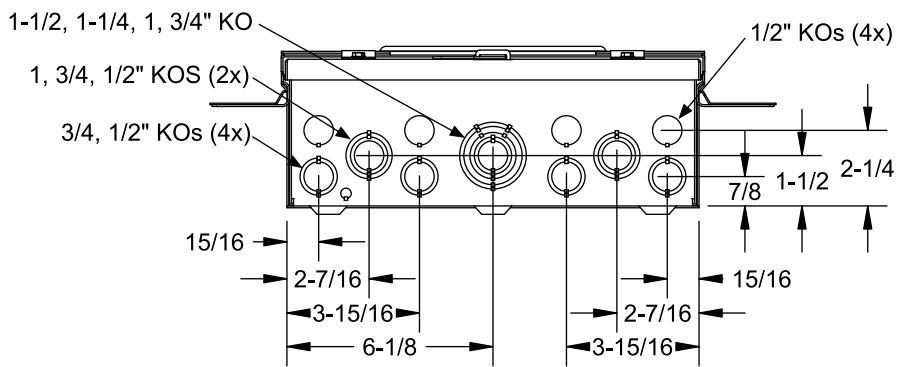
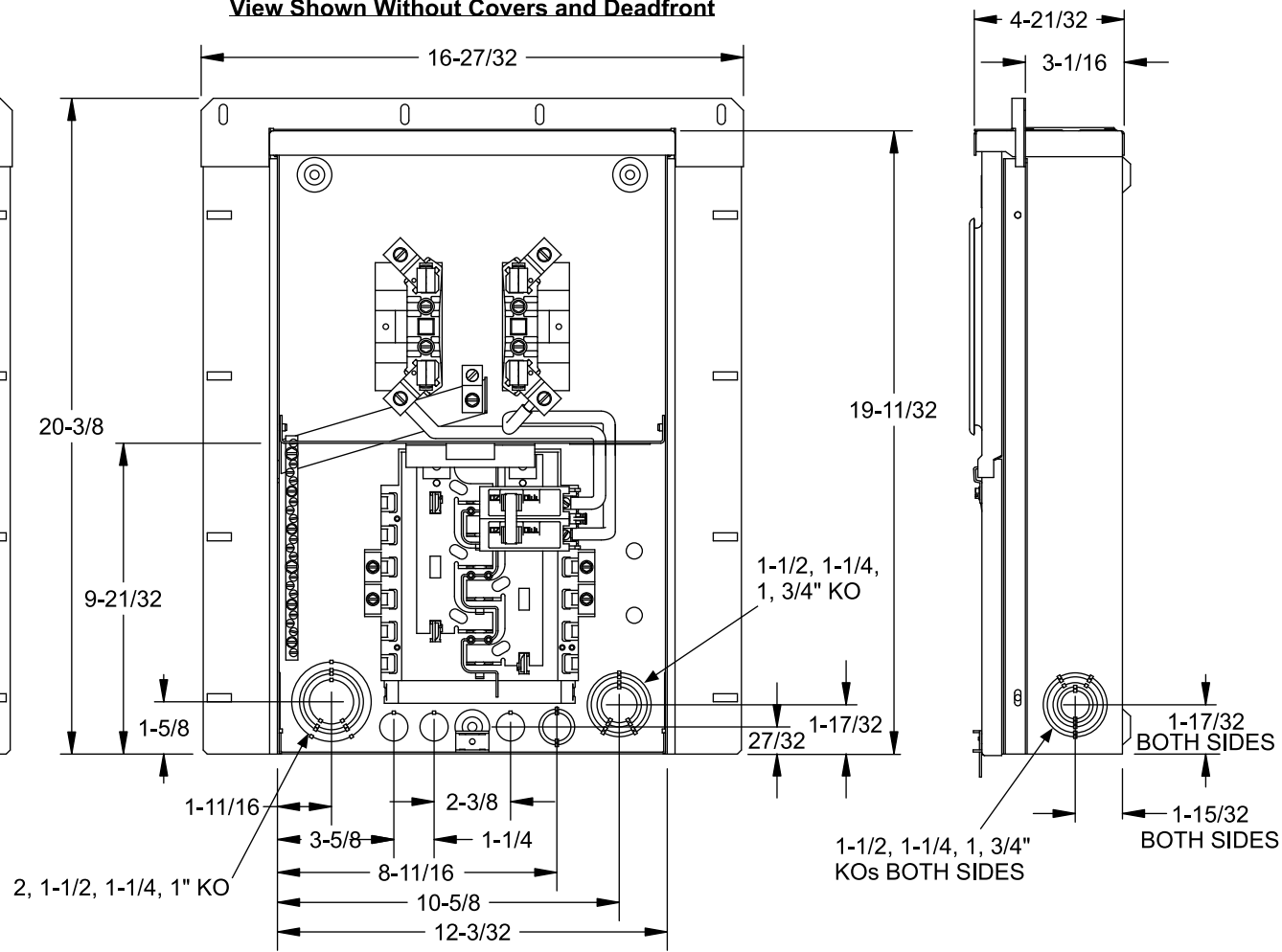
- Outdoor Enclosure (NEMA Type 3R)
- Ring Type Meter Cover
- Meter Socket Rating: 100A Continuous
- 100A Max, 1 Phase, 3 Wire, 120/240V~, 120/208V~
- 100A Main Breaker Installed
- 22,000 AIC Max. Rated (See Wiring Diagram for Details)
- (10) 1" Spaces, (20) Circuits Max.
- Overhead Service Entrance Only
- Flush Mounting



View Shown Without Covers



View Shown Without Covers and Deadfront

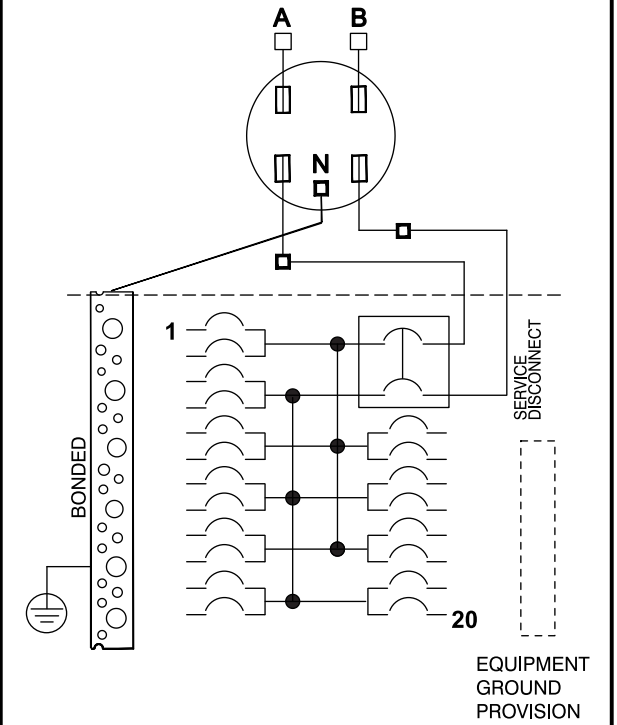


## Accessories

Accessories	Cat.
No. Filler Plate	ECQF3
Equip Grd Bars	"ECLX" Type

Trade size (in)	Catalog number
<i>RX Type Hub (top endwall)</i>	
1 1/4"	EC38597
1 1/2"	EC38598
2"	EC38599
2 1/2"	EC38600
RX Cover Plate	EC38595

## Schematic



Branch circuit conductors limited to #1 AWG, except limited to #3 AWG when leaving the enclosure through the center 6" of the bottom end wall.

Terminal	Wire Size	Torque
A, B, N	2/0 - #14	50 lb-in
Branch Breaker Terminals	See Markings on Breaker	
<b>NEUTRAL AND EQPT GROUND BAR</b>		
Small Terminals	10 - 14 AWG	20 lb-in
	8 AWG	25 lb-in
	6 AWG	35 lb-in
Large Terminals	10 - 14 AWG	35 lb-in
	8 AWG	40 lb-in
	3 - 6 AWG	45 lb-in

© 2012 Copyright Siemens Industry, Inc.

**SIEMENS**  
Siemens Industry, Inc.

## Meter Load Center Combination

Description:  
**100A, 10 Sp/20 Ckt, OH, Flush Mount**

KAM 10/12/12 Fam H DO NOT SCALE DRAWING Dwg. No. **MC1020B1100FZ**